



FOCUS LCDs
LCDs MADE SIMPLE®

Ph. 480-503-4295 | NOPP@FocusLCDs.com

TFT | OLED | CHARACTER | GRAPHIC | UWVD | SEGMENT | CUSTOM

TFT Display Module

Part Number
E70GE-RW260-N

Overview:

- 7.0-inch TFT (164.9x100mm)
- 800x480 pixels
- RGB Interface
- Wide Temperature
- Bottom Viewing Angle
- Transmissive
- No Touch Panel
- 260 NITS
- TFT IC: EK9716 + EK73002
- RoHS Compliant

Description

This is a color active matrix TFT (Thin Film Transistor) LCD (Liquid Crystal Display) that uses amorphous silicon TFT as a switching device. This model is composed of a transmissive type TFT LCD Panel, driver circuit, and a backlight unit. The resolution of the 7.0" TFT LCD contains 800(RGB)x480 pixels and can display up to 16.7M colors.

TFT Features

Low Input Voltage: 3.3V

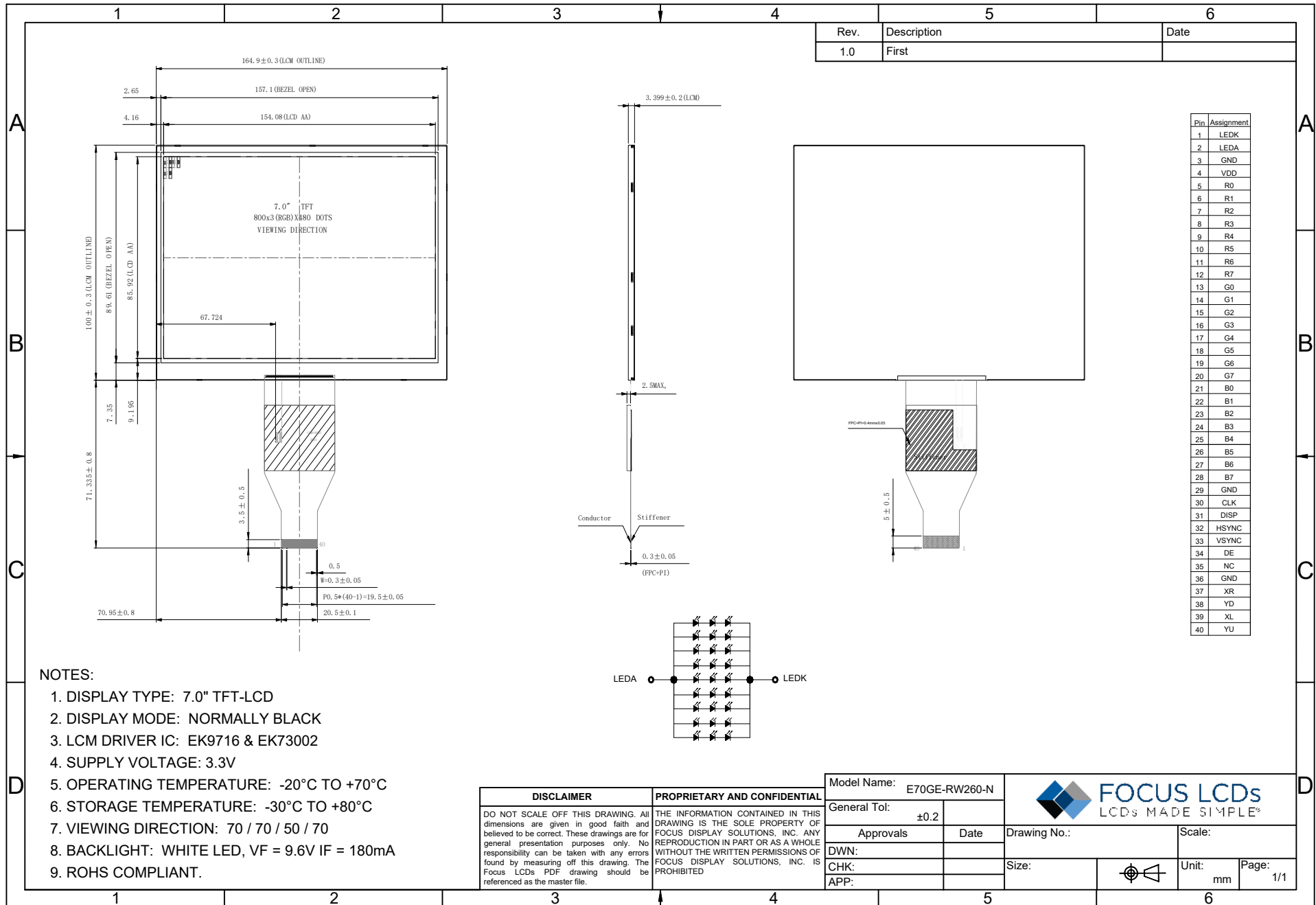
TFT Interface: 24-Bit RGB

General Information Items	Specification	Unit	Note
	Main Panel		
TFT Display Area (AA)	164.9(W) x 100(H) (7.0 inch)	mm	--
Driver Element	TFT Active Matrix	--	--
Display Colors	16.7M	colors	--
Number of Pixels	800(RGB) x 480	dots	--
TFT Pixel Arrangement	RGB Vertical Stripe	--	--
Pixel Pitch	0.1926(H) x 0.179(V)	mm	--
Viewing Angle	6:00	o'clock	--
Display Mode	Transmissive, Normally White	--	--
TFT Controller	EK9716 & EK73002	--	--
Operating Temperature	-20°C to +70°C	°C	--
Storage Temperature	-30°C to +80°C	°C	--

Mechanical Information

Item		Min	Typ.	Max	Unit	Note
Module Size	Horizontal (H)	--	164.9	--	mm	--
	Vertical (V)	--	100	--	mm	--
	Depth (D)	--	4.598	--	mm	--
	Weight	--	--	--	g	--

1. Outline Dimensions



Rev.	Description	Date
1.0	First	

Pin	Assignment
1	LEDK
2	LEDA
3	GND
4	VDD
5	R0
6	R1
7	R2
8	R3
9	R4
10	R5
11	R6
12	R7
13	G0
14	G1
15	G2
16	G3
17	G4
18	G5
19	G6
20	G7
21	B0
22	B1
23	B2
24	B3
25	B4
26	B5
27	B6
28	B7
29	GND
30	CLK
31	DISP
32	HSYNC
33	VSYNC
34	DE
35	NC
36	GND
37	XR
38	YD
39	XL
40	YU

NOTES:

1. DISPLAY TYPE: 7.0" TFT-LCD
2. DISPLAY MODE: NORMALLY BLACK
3. LCM DRIVER IC: EK9716 & EK73002
4. SUPPLY VOLTAGE: 3.3V
5. OPERATING TEMPERATURE: -20°C TO +70°C
6. STORAGE TEMPERATURE: -30°C TO +80°C
7. VIEWING DIRECTION: 70 / 70 / 50 / 70
8. BACKLIGHT: WHITE LED, VF = 9.6V IF = 180mA
9. ROHS COMPLIANT.

DISCLAIMER
DO NOT SCALE OFF THIS DRAWING. All dimensions are given in good faith and believed to be correct. These drawings are for general presentation purposes only. No responsibility can be taken with any errors found by measuring off this drawing. The Focus LCDs PDF drawing should be referenced as the master file.

PROPRIETARY AND CONFIDENTIAL
THE INFORMATION CONTAINED IN THIS DRAWING IS THE SOLE PROPERTY OF FOCUS DISPLAY SOLUTIONS, INC. ANY REPRODUCTION IN PART OR AS A WHOLE WITHOUT THE WRITTEN PERMISSIONS OF FOCUS DISPLAY SOLUTIONS, INC. IS PROHIBITED

Model Name: E70GE-RW260-N

General Tol: ±0.2

Approvals: _____ Date: _____

DWN: _____

CHK: _____

APP: _____

FOCUS LCDs
LCDs MADE SIMPLE®

Drawing No.: _____ Scale: _____

Size: _____ Unit: mm Page: 1/1

2. Input Terminal Pin Assignment

Recommended TFT Connector: FH12S-40S-0.5SH(55)

NO.	Symbol	Description	I/O
1	LEDK	Cathode pin of backlight	P
2	LEDA	Anode pin of backlight	P
3	GND	Ground	P
4	VDD	Supply voltage (3.3V)	P
5	R0	Red data input	I
6	R1	Red data input	I
7	R2	Red data input	I
8	R3	Red data input	I
9	R4	Red data input	I
10	R5	Red data input	I
11	R6	Red data input	I
12	R7	Red data input	I
13	G0	Green data input	I
14	G1	Green data input	I
15	G2	Green data input	I
16	G3	Green data input	I
17	G4	Green data input	I
18	G5	Green data input	I
19	G6	Green data input	I
20	G7	Green data input	I
21	B0	Blue data input	I
22	B1	Blue data input	I
23	B2	Blue data input	I
24	B3	Blue data input	I
25	B4	Blue data input	I
26	B5	Blue data input	I
27	B6	Blue data input	I
28	B7	Blue data input	I
29	GND	Ground	P
30	CLK	Clock signal for data latching and internal counter for the timing controller.	I
31	DISP	Display control / standby mode selection. Internal pull low. DISP = "Low" : Standby; DISP = "High" : Normal display	I
32	HSYNC	Horizontal sync input. When not used in DE mode, user should connect it to "Low"	I
33	VSYNC	Vertical sync input. When not used in DE mode, user should connect it to "Low"	I
34	DE	Data input enable. When not used in SYNC mode, user should connect it to "Low"	I
35	NC	NC	I
36	GND	Ground	P
37	XR(NC)	Touch panel right terminal	I
38	YD(NC)	Touch panel bottom terminal	I
39	XL(NC)	Touch panel left terminal	I
40	YU(NC)	Touch panel top terminal	I

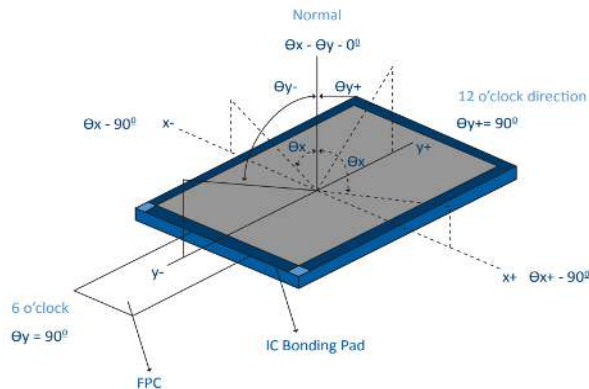
I: Input, O: Output, P: Power

3. LCD Optical Characteristics

Item		Symbol	Condition	Min	Typ.	Max	Unit	Note
Contrast Ratio		CR	$\theta = \Phi = 0$ Normal	400	500	--	--	(2)
Response Time		TR		--	10	20	ms	(4)
		TF		--	15	30	ms	
Color Filter Chromaticity	White	W_x		0.250	0.300	0.350	--	(5)(6)
		W_y	0.290	0.340	0.390			
Viewing Angle	Hor.	Θ_L	$\Phi = 180^\circ$ (9 o'clock)	60	70	--	degree	(1)(6)
		Θ_R	$\Phi = 0^\circ$ (3 o'clock)	60	70	--		
	Ver.	Θ_T	$\Phi = 90^\circ$ (12 o'clock)	40	50	--		
		Θ_B	$\Phi = 270^\circ$ (6 o'clock)	60	70	--		

Optical Specification Reference Notes:

(1) Definition of Viewing Angle: The viewing angle is the angle at which the contrast ratio is greater than 10. The viewing angles are determined for the horizontal or 3,9 o'clock direction and the vertical or 6,12 o'clock direction with respect to the optical axis which is normal to the LCD surface.

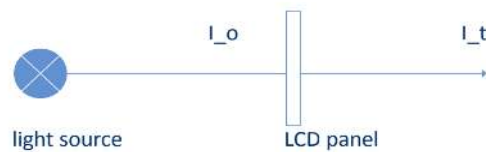


(2) Definition of Contrast Ratio (Cr): measured at the center point of panel. The contrast ratio (Cr) measured on a module, is the ratio between the luminance (Lw) in a full white area (R=G=B=1) and the luminance (Ld) in a dark area (R=G=B=0).

$$Cr = \frac{Lw}{Ld}$$

(3) Definition of transmittance (T%): The transmittance of the panel including the polarizers is measured with electrical driving. The equation for transmittance Tr is:

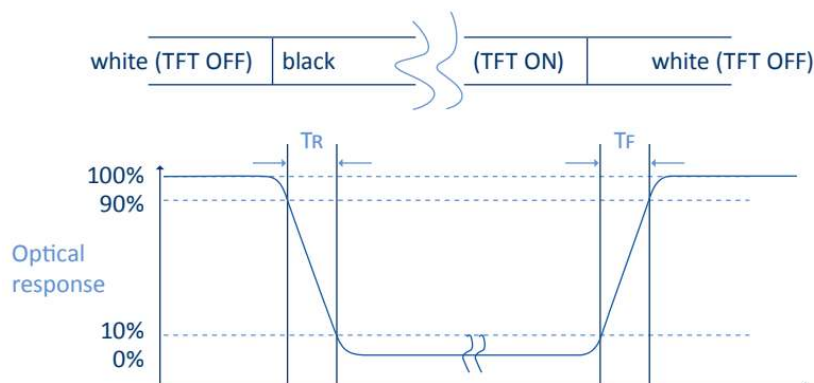
$$Tr = \frac{I_t}{I_o} \times 100\%$$



I_o = the brightness of the light source.

I_t = the brightness after panel transmission

(4) Definition of Response Time (Tr, Tf): The rise time 'Tr' is defined as the time for luminance to change from 90% to 10% as a result of a change of the electrical condition. The fall time 'Tf' is defined as the time for luminance to change from 10% to 90% as a result of a change of the electrical condition.



(5) Definition of Color Gamut:

Measuring machine CFT-01. NTSC's Primaries: $R(x,y,Y), G(x,y,Y), B(x,y,Y)$. FPM520 of Westar Display Technologies, INC., which utilized SR-3 for Chromaticity and BM-5A for other optical characteristics. The color chromaticity shall be calculated from the spectral data measured with all pixels first in red, green, blue and white. Measurements shall be made at the center of the panel.

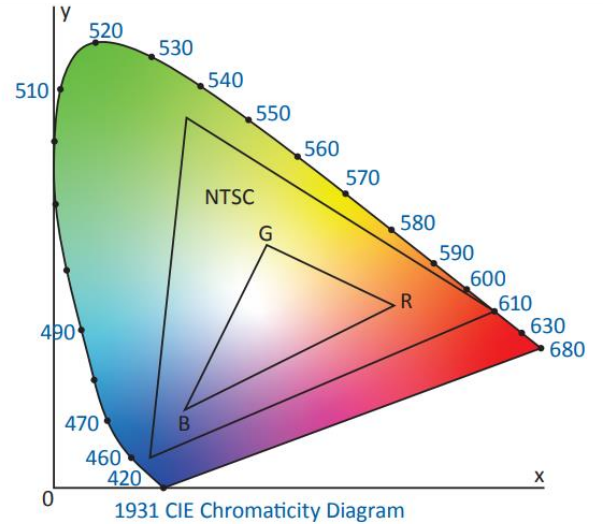
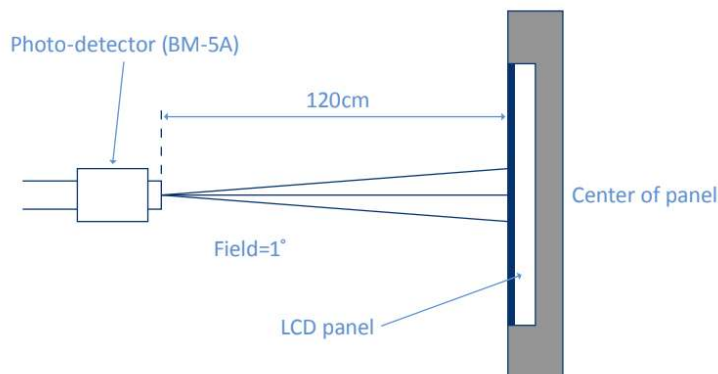
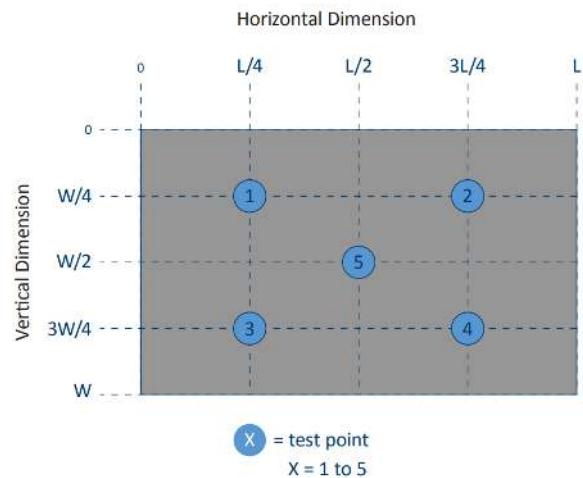
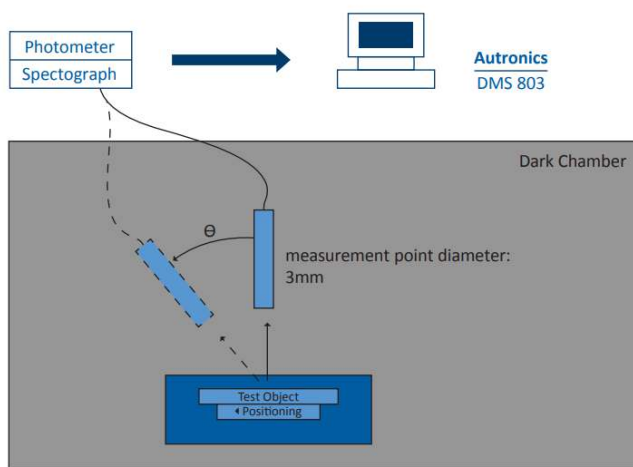


Fig. 1931 CIE chromacity diagram

$$\text{Color gamut: } S = \frac{\text{Area of RGB triangle}}{\text{Area of NTSC triangle}} \times 100\%$$

(6) Definition of Optical Measurement Setup:

The LCD module should be stabilized at a given temperature for 20 minutes to avoid abrupt temperature change during measuring. In order to stabilize the luminance, the measurement should be executed after lighting backlight for 20 minutes.



4. TFT Electrical Characteristics

4.1 Absolute Maximum Rating (Ta=25 °C, VSS=0V)

Characteristics	Symbol	Min	Max	Unit
Operating Temperature	TOP	-20	+70	°C
Storage Temperature	TST	-30	+80	°C

NOTE: If the absolute maximum rating of the above parameters is exceeded, even momentarily, the quality of the product may be degraded. Absolute maximum ratings specify the values which the product may be physically damaged if exceeded. Be sure to use the product within the range of the absolute maximum ratings.

4.2 DC Electrical Characteristics

Characteristics	Symbol	Min	Typ.	Max	Unit	Note
Digital Supply Voltage	DV _{DD}	3.0	3.3	3.6	V	
Level Input Voltage	VIH	0.7 DV _{DD}	--	DV _{DD}	V	
	VIL	0	--	0.3 DV _{DD}	V	

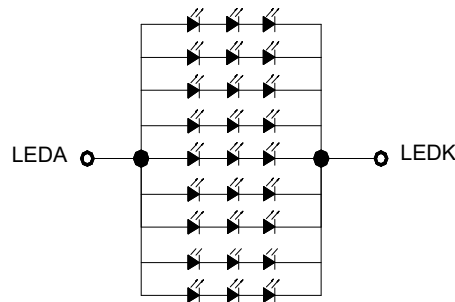
4.3 LED Backlight Characteristics

The backlight system is edge lighting type with 27 chips LED

Item	Symbol	Min	Typ.	Max	Unit	Note
Forward Current	I_F	--	180	--	mA	
Forward Voltage	V_F	8.6	9.6	10.6	V	
LCM Luminance	LV	200	260	--	cd/m ²	(3)
LED Lifetime	Hr	--	--	--	hour	(1)(2)
Uniformity	Avg	70	75	--	%	(3)

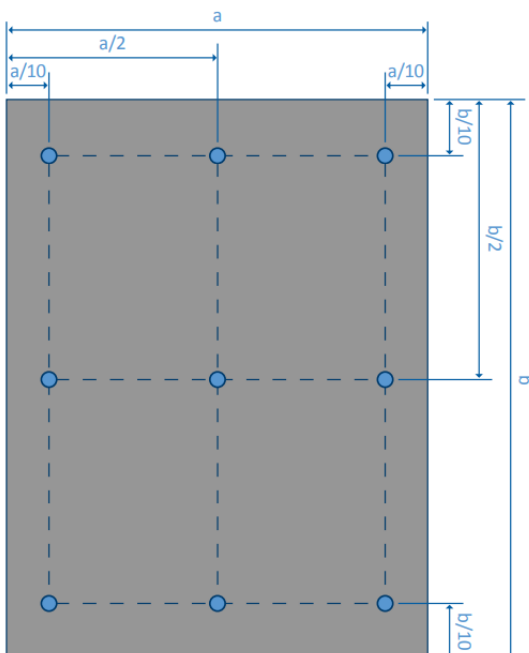
Note 1: LED lifetime (Hr) can be defined as the time in which it continues to operate under the condition: $T_a=25\pm 3^\circ\text{C}$, typical IL value indicated in the above table until the brightness becomes less than 50%.

Note 2: The "LED lifetime" is defined as the module brightness decrease to 50% original brightness at $T_a=25^\circ\text{C}$ and $I_L = 80\text{mA}$. The LED lifetime could be decreased if operating I_L is larger than 80 mA. The constant current driving method is suggested.



B/L Circuit

Note 3: Luminance Uniformity of these 9 points is defined as below:



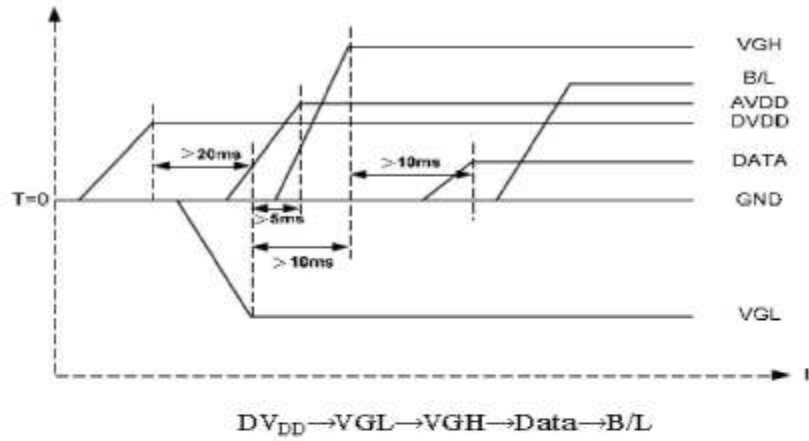
$$\text{Luminance} = \frac{\text{(Total Luminance of 9 points)}}{9}$$

$$\text{Uniformity} = \frac{\text{minimum luminance in 9 points(1-9)}}{\text{maximum luminance in 9 points(1-9)}}$$

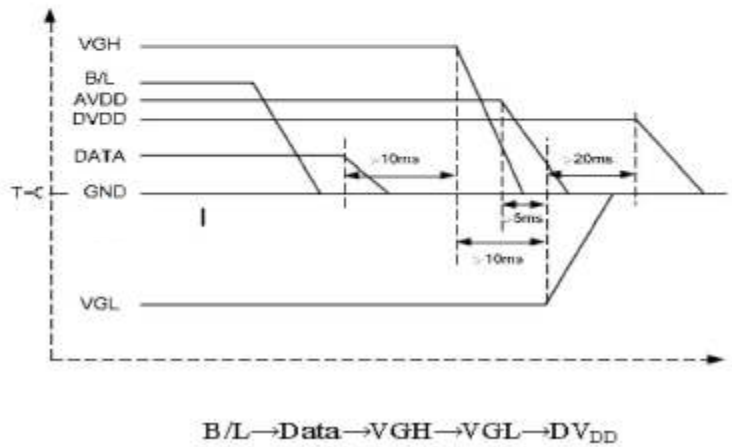
5. AC Characteristics

5.1 Power Sequence

a. Power on:



b. Power off:

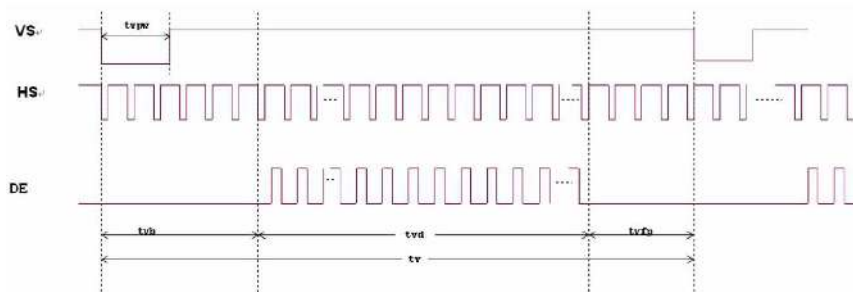


Note: Data include R0-R7, B0-B7, GO-G7, U/D, L/R, DCLK, HS, VS, DE.

5.2 Data Input Format



Figure 3.1 Horizon input timing diagram



Item	Symbol	Values			Unit	Note
		Min.	Typ.	Max.		
Horizontal Display Area	thd	--	800	--	DCLK	--
DCLK Frequency	fclk	29.0	33.0	38.0	MHz	--
One Horizontal Line	th	1026	1056	1086	DCLK	--
HS Pulse Width	thpw	--	30	--	DCLK	--
HS Blanking	thb	--	16	--	DCLK	--
HS Front Porch	thfp	180	210	240	DCLK	--

Item	Symbol	Values			Unit	Note
		Min.	Typ.	Max.		
Vertical Display Area	tvd	--	480	--	TH	--
VS Period Time	tv	515	525	535	TH	--
VS Pulse Width	tvpw	--	13	--	TH	--
VS Blanking	tvb	--	10	--	TH	--
VS Front Porch	tvfp	12	22	32	TH	--

6. Quality Inspection Standards

For TFT quality inspection standards, please see the following link: <https://focuslcds.com/tft-quality-inspection-standards/>

7. Cautions and Handling Precautions

7.1 Handling and Operating the Module

1. When the module is assembled, it should be attached to the system firmly. Do not warp or twist the module during assemblywork.
2. Protect the module from physical shock or any force. In addition to damage, this may cause improper operation or damage to the module and back-light unit.
3. Note that polarizer is very fragile and could be easily damaged. Do not press or scratch the surface.
4. Do not allow drops of water or chemicals to remain on the display surface. If you have the droplets for a long time, staining and discoloration may occur.
5. If the surface of the polarizer is dirty, clean it using some absorbent cotton or soft cloth.
6. The desirable cleaners are water, IPA (Isopropyl Alcohol) or Hexane. Do not use ketene type materials (ex. Acetone), Ethyl alcohol, Toluene, Ethyl acid or Methyl chloride. It might permanent damage to the polarizer due to chemical reaction.
7. If the liquid crystal material leaks from the panel, it should be kept away from the eyes or mouth. In case of contact with hands, legs, or clothes, it must be washed away thoroughly with soap.
8. Protect the module from static; it may cause damage to the CMOSICs.
9. Use fingerstalls with soft gloves in order to keep display clean during the incoming inspection and assembly process.
10. Do not disassemble the module.
11. Protection film for polarizer on the module shall be slowly peeled off just before use so that the electrostatic charge can be minimized.
12. Pins of I/F connector shall not be touched directly with bare hands.
13. Do not connect, disconnect the module in the "Power ON" condition.
14. Power supply should always be turned on/off by the item Power On Sequence & Power Off Sequence.

7.2 Storage and Transportation.

1. Do not leave the panel in high temperature, and high humidity for a long time. It is highly recommended to store the module with temperature from 0 to 35 °C and relative humidity of less than 70%
2. Do not store the TFT-LCD module in direct sunlight.
3. The module shall be stored in a dark place. When storing the modules for a long time, be sure to adopt effective measures for protecting the modules from strong ultraviolet radiation, sunlight, or fluorescent light.
4. It is recommended that the modules should be stored under a condition where no condensation is allowed. Formation of dewdrops may cause an abnormal operation or a failure of the module. In particular, the greatest possible care should be taken to prevent any module from being operated where condensation has occurred inside.
5. This panel has its circuitry FPC on the bottom side and should be handled carefully in order not to be stressed.