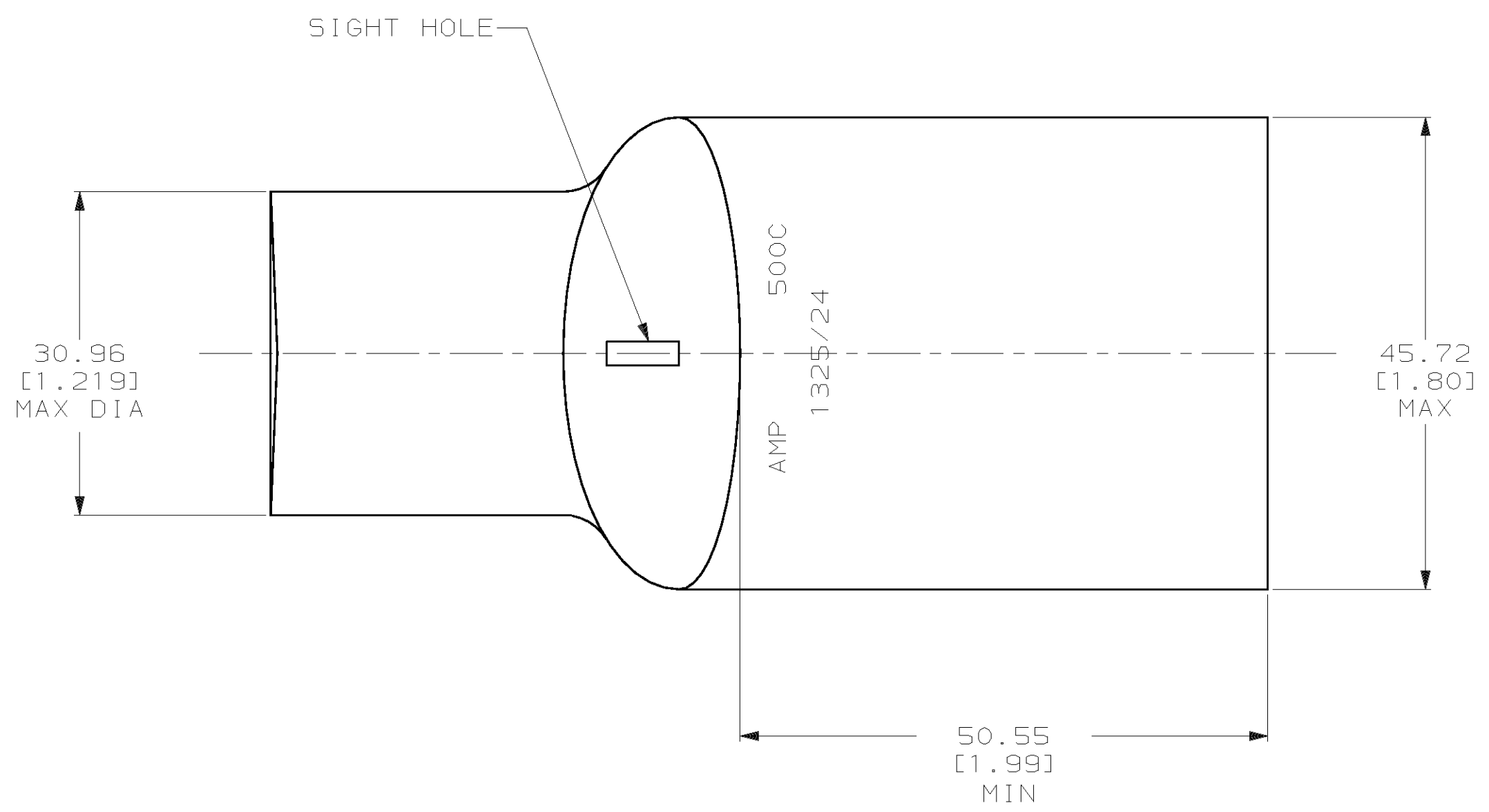
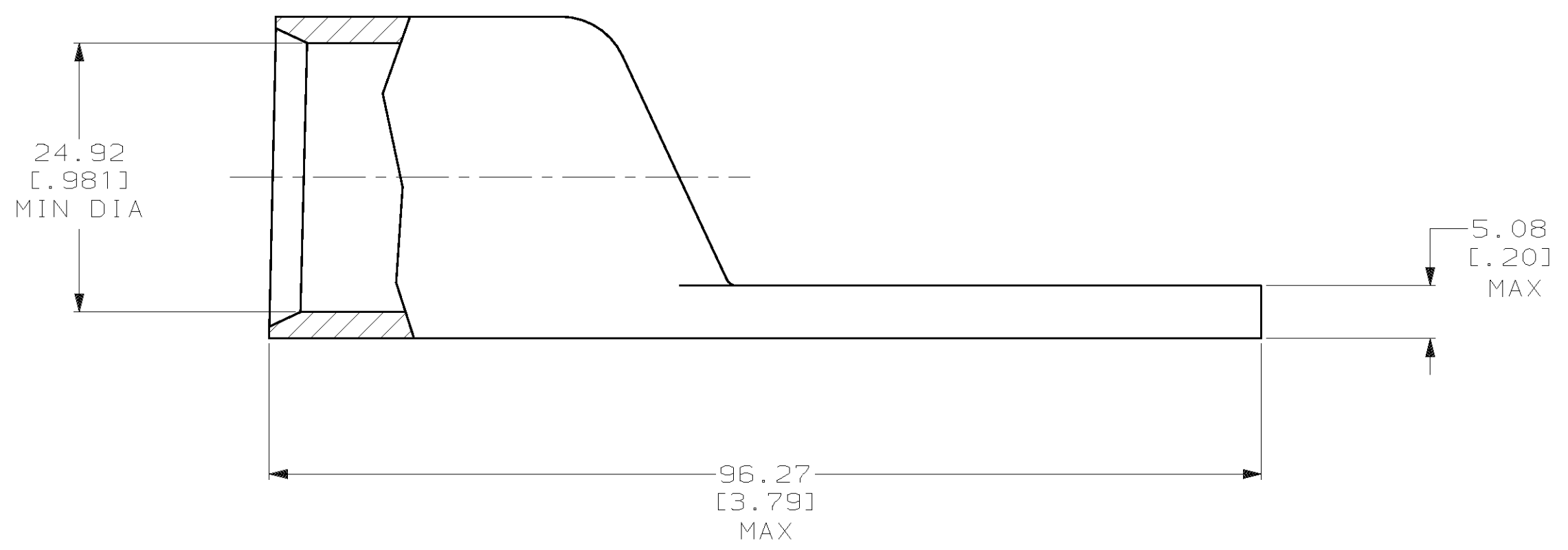


THIS DRAWING IS UNPUBLISHED. RELEASED FOR PUBLICATION ,19 .
 © COPYRIGHT 19 BY AMP INCORPORATED. ALL INTERNATIONAL RIGHTS RESERVED.

LOC		DIST		P		F		REVISIONS		DATE	APPD
ZONE	LTR	DESCRIPTION		DATE	APPD						
G	86					R	REV PER 063A-0561-01	080CT02	JR		



1 CIRCULAR MIL AREA RANGE: 450-550 MCM



2-326111-1
PART NO

DO NOT SCALE PRINT. UNLESS SPECIFIED DIMENSIONS IN mm [INCHES] TOLERANCES ON : 2 PLC DEC ± 0.51 [.020] 3 PLC DEC ± - ANGLES ± -	DR 03/09/90 DK SCHRUM	AMP INCORPORATED Harrisburg, Pa. 17105
MATERIAL ANNEALED COPPER ASTM B-75	CHK 24JAN95 MS FEHER	
FINISH CLEANED	APPD 24JAN95 WJ VOCKROTH	NAME TERMINAL, AMPPOWER TM WIRE SIZE: 500 MCM
	APPD 24JAN95 TL SHUTTER	SIZE C
	PRODUCT SPEC 108-30200	CAGE CODE 00779
	APPLICATION SPEC -	DRAWING NO 326111
	WEIGHT .386 LB	SCALE 2:1
		SHEET 1 OF 1

