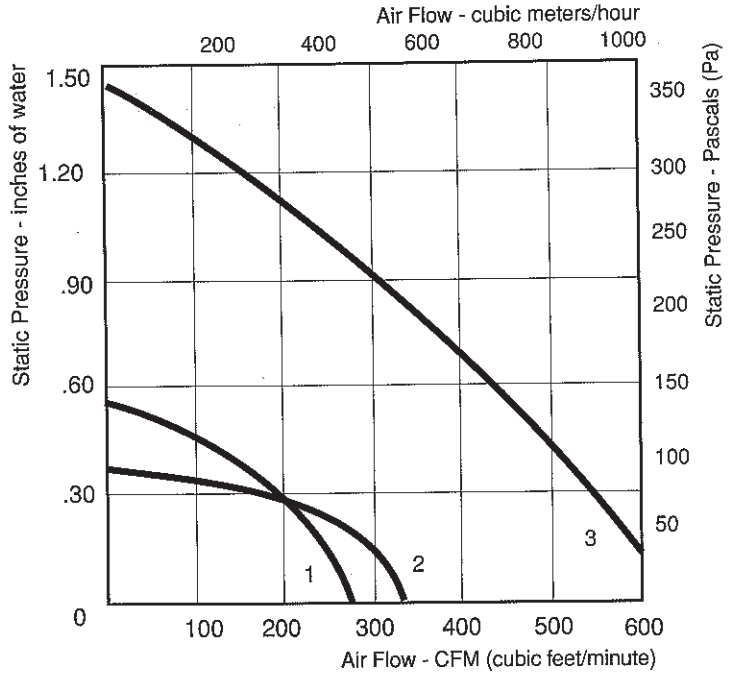
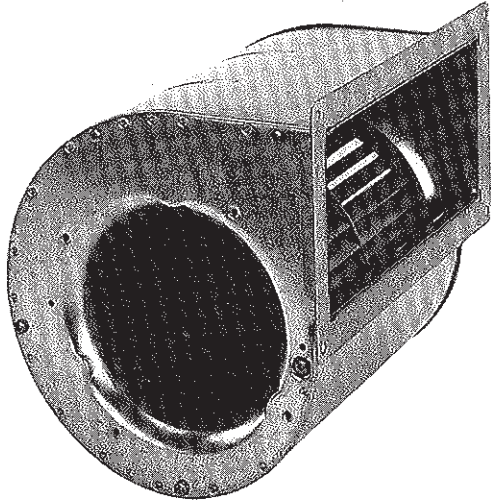


# 285 to 656 CFM Brushless DC Dual Inlet Centrifugal Blowers

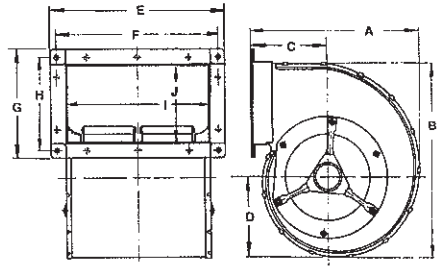


Curve Number	Part Number	Volts	Ref. Watts	Flange	Rotation*	CFM @ 0" dBA	Wgt. (lbs.)	Temp. Max. °C
1	<b>D3G133-AB31-06</b>	24	40	Yes	R	285 52	6.5	50
2	<b>D3G133-DB05-05</b>	48	34	No	R	335 54	6.5	50
3	<b>D1G133-DC17-09</b>	48	115	No	R	656 60	7.0	50

NOTE: Wiring connection: Red = +; Blue = -; Speed control by voltage typical range: +15% and - 30%.  
 \*Rotation, as viewed from side opposite lead exit: R = clockwise; L = counter-clockwise

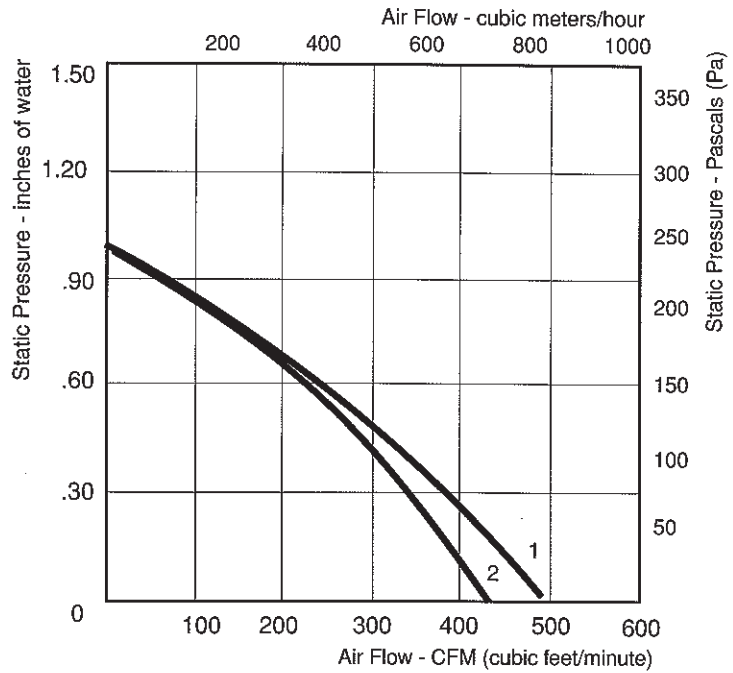
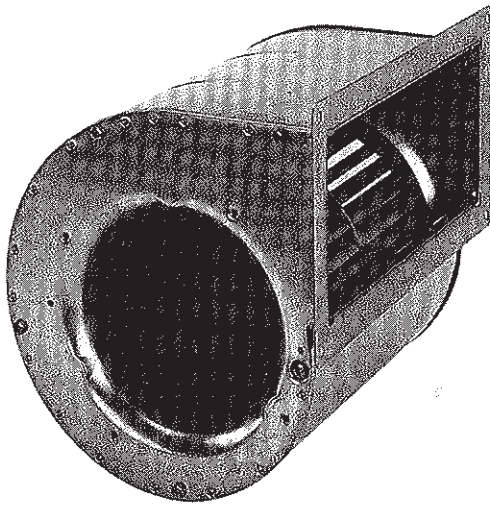
Consult an application engineer for additional models and voltages for your specific needs, 860-674-1515

## Dimensions



Blower Type	Dimensions - [ inches (mm) ]									
	A	B	C	D	E	F	G	H	I	J
D3G133-AB	6.73 (171)	7.09 (180)	3.46 (88)	3.11 (79)	10.0 (254)	9.37 (238)	4.25 (108)	2.91 (74)	8.46 (215)	2.72 (69)
D3G133-DB/C	8.03 (204)	8.39 (213)	3.82 (97)	3.66 (93)	-	-	-	-	9.13 (232)	4.02 (102)

# 424 to 506 CFM Brushless DC Dual Inlet Centrifugal Blowers



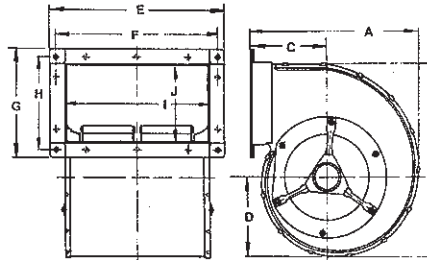
Curve Number	Part Number	Volts	Ref. Watts	Flange	Rota- tion*	CFM @ 0"	dBa	Wgt. (lbs.)	Temp. Max. °C
1	<b>D3G146-AA19-22</b>	24	97.5	No	R	492	59	8.5	50
1	<b>D3G146-AA05-21</b>	48	86	Yes	R	506	58	8.5	50
2	<b>D3G160-DA05-02</b>	48	85	Yes	L	424	58	10.0	50

NOTE: Wiring connection: Red = +; Blue = —; Speed control by voltage typical range: +15% and –30%.

\*Rotation, as viewed from side opposite lead exit: R = clockwise; L = counter-clockwise

Consult an application engineer for additional models and voltages for your specific needs, 860-674-1515

## Dimensions



Blower Type	Dimensions – [ inches (mm) ]									
	A	B	C	D	E	F	G	H	I	J
D3G146-AA19-22	8.07 (205)	8.62 (219)	3.78 (96)	3.86 (98)	-	-	-	-	9.13 (232)	4.09 (104)
D3G146-AA05-21	8.11 (206)	8.62 (219)	3.82 (97)	3.86 (98)	10.63 (270)	10.0 (254)	5.59 (142)	4.96 (126)	9.13 (232)	4.02 (102)
D3G160-DA05-02	8.90 (226)	9.53 (242)	4.21 (107)	4.06 (103)	8.43 (214)	7.80 (198)	5.71 (145)	5.08 (129)	6.93 (176)	4.13 (105)