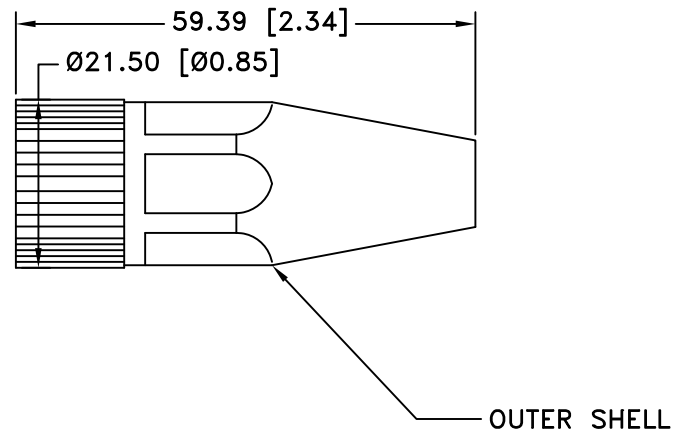
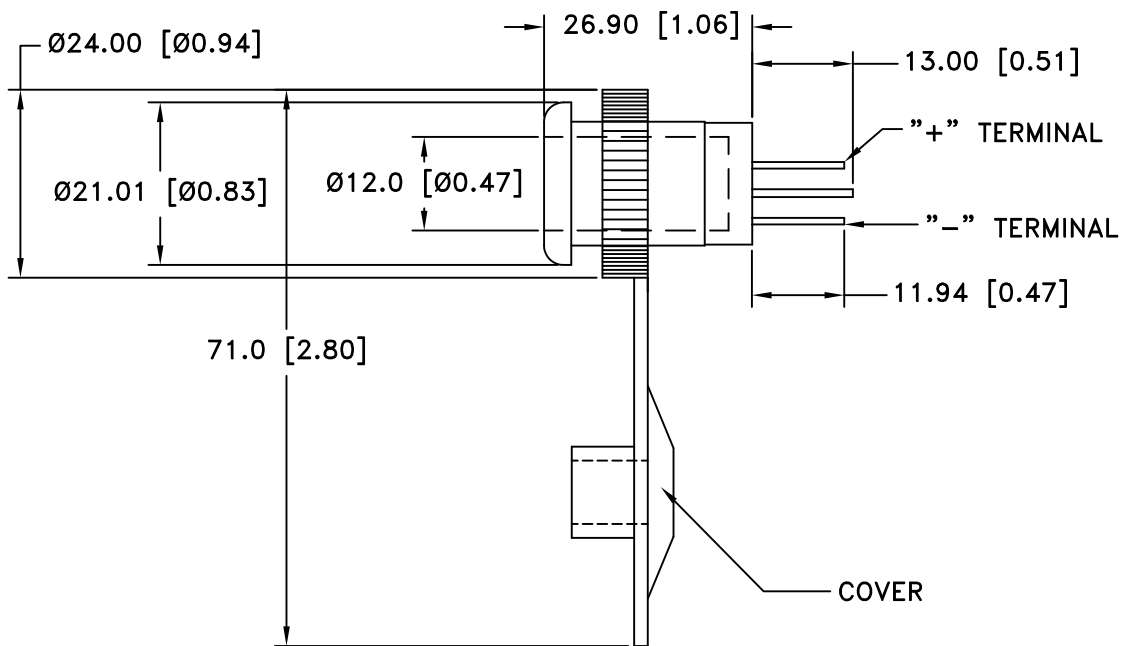



Date	SYM	REVISION RECORD	AUTH	DR.	CK.
05/04/12	A	UPDATED TITLE ADDED DIM. Ø24.00, Ø13.70	T.B.	B.S.	
11/07/14	B	UPDATED TO ROHS 2 COMPLIANT	T.B.	B.S.	
02/19/16	C	DIM. 71.0 WAS 71.90 DIM. 12.0 WAS 13.70 DIM. 21.50 WAS 22.40	T.B.	B.S.	



MATERIAL SPECIFICATION:
 INNER TUBE: BRASS, NICKEL PLATED
 CASING: NYLON
 OUTER SHELL: NYLON
 TERMINALS: BRASS, NICKEL PLATED
 COVER: PVC
 RATING: DC12V-24V, 15A MAX.
 ROHS 2 COMPLIANT

Tolerance (Except as noted)	 Memory Protection Devices, Inc 200 Broad Hollow Road, Farmingdale, New York 11735		
decimal $\pm .5$ (.020)		Scale	Drawn By B.S.
Fractional $\pm .8$ (.030)	Title 12V CIGARETTE SOCKET, CABLE TYPE DIN 4165, 12mm SOCKET		
Angular $\pm 3^\circ$	Date 02/19/16	Drawing Number AS214	
		Approved By T.B.	