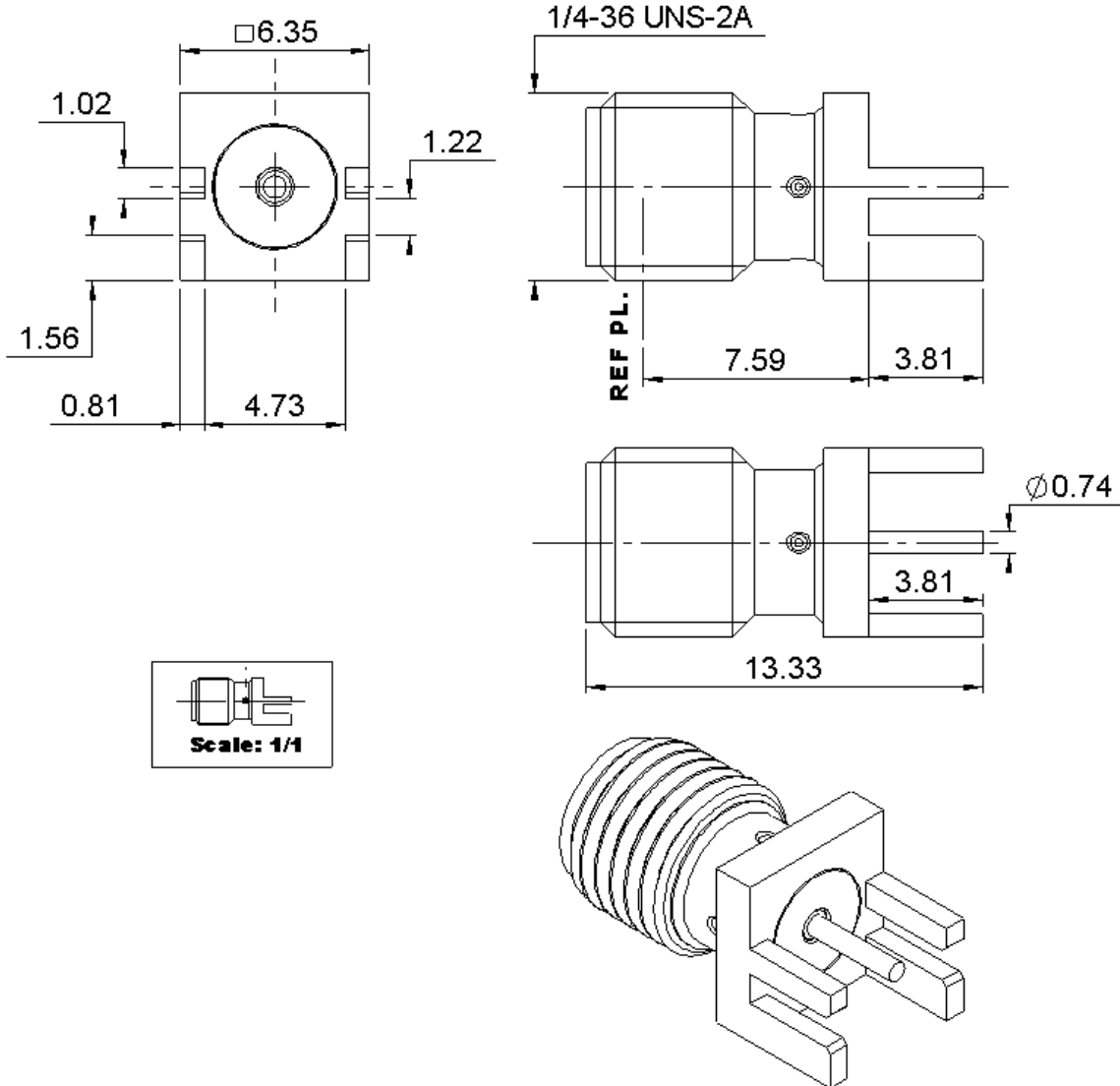


FEMALE STRAIGHT RECEPTACLE FOR PCB

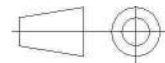
R125.423.200

SMT TYPE - EDGE CARD.

Series : SMA



All dimensions are in mm.



COMPONENTS	MATERIALS	PLATING (µm)
BODY	STAINLESS STEEL	GOLD 0.5 OVER NICKEL 2
CENTER CONTACT	BERYLLIUM COPPER	GOLD 1.3 OVER NICKEL 2
OUTER CONTACT	-	-
INSULATOR	PTFE	-
GASKET	-	-
OTHERS PARTS	-	-
-	-	-
-	-	-

Issue : 1020 B

In the effort to improve our products, we reserve the right to make changes judged to be necessary.



FEMALE STRAIGHT RECEPTACLE FOR PCB

R125.423.200

SMT TYPE - EDGE CARD.

Series : SMA

PACKAGING

SPECIFICATION

Standard	Unit	Other
100	'W' option	Contact us

ELECTRICAL CHARACTERISTICS

ENVIRONMENTAL

Impedance	50	Ω
Frequency	0-18	GHz
VSWR	1.14 + 0,0000	x F(GHz) Maxi
Insertion loss	0.05	\sqrt{F} (GHz) dB Maxi
RF leakage	- (- F(GHz)) dB Maxi
Voltage rating	500	Veff Maxi
Dielectric withstanding voltage	1000	Veff mini
Insulation resistance	5000	M Ω mini

Operating temperature	-65/+165	$^{\circ}$ C
Hermetic seal	NA	Atm.cm3/s
Panel leakage	NA	

OTHER CHARACTERISTICS

Assembly instruction

Others :

MECHANICAL CHARACTERISTICS

Center contact retention		
Axial force – Mating end	27	N mini
Axial force – Opposite end	27	N mini
Torque	2.8	N.cm mini
Recommended torque		
Mating	NA	N.cm
Panel nut	NA	N.cm
Mating life	500	Cycles mini
Weight	1,3000	g

Issue : 1020 B

In the effort to improve our products, we reserve the right to make changes judged to be necessary.

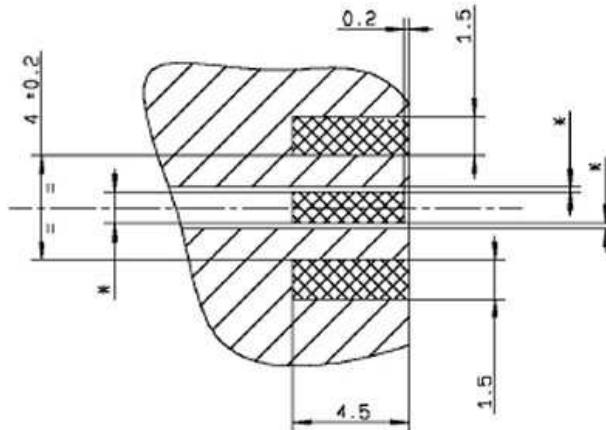


FEMALE STRAIGHT RECEPTACLE FOR PCB

R125.423.200

SMT TYPE - EDGE CARD.

Series : SMA



COPLANAR LINE

Pattern and signal are on the same side.
The material of PCB is the epoxy resin of glass fabrics bacs. (Er = 4.8)
The solder resist should be printed except for the land pattern on the PCB.

*Parameters flagged by a star must be defined dimensionally regarding the thickness of the PCB and the transmission way these parameters could be measured by RADIALL if request.

Pattern

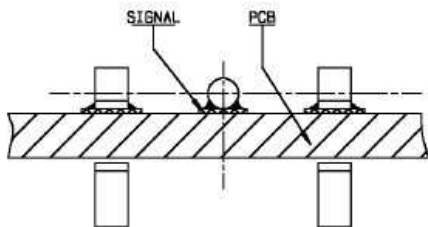
Land for solder paste

1

This type of connector is adapted to one specific PCB thickness. It can be used with differents ways of transmission.

COPLANAR LINE

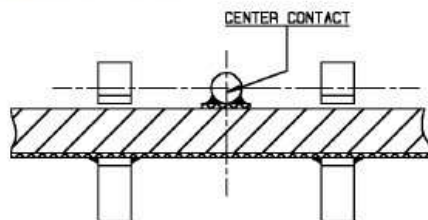
Signal and ground are coplanar.



2

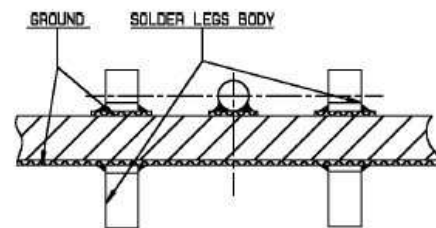
MICROSTRIP LINE

Signal and ground are opposite.



3

Coplanar and opposite grounds.



Solution (3) features a stronger mechanical retention on the PCB because the 4 leads are soldered.

Issue : 1020 B

In the effort to improve our products, we reserve the right to make changes judged to be necessary.

