

F1200/F1250/F1299 RFI Filters

Features:

- Designed for General Purpose Common Mode and Differential Mode Applications
- Higher Line-to-Line Capacitance for Protection from Pulsed, Intermittent, or Continuous RFI
- Available in Standard (F1200) and Low-Leakage (F1250) (F1260) (F1270) (F1280) (F1299) Models
- Available with Integral IEC Connector up to 10Amps



Nominal Current Rating	Part Number	Termination Line/Load	MINIMUM INSERTION LOSS - dB (50 ohm Circuit)						
			MODE	Frequency - MHz					
				.15	.50	1.0	5.0	10	30
1A	F1200AA01	QC/QC	Common	20	35	43	52	55	50
	F1200BB01	Wire/Wire	Differential	4	38	59	66	62	54
	F1250AA01	QC/QC	Common	20	30	37	50	50	50
	F1250BB01	Wire/Wire	Differential	4	38	59	66	62	54
2A	F1299AA02	QC/QC	Common	24	35	43	45	45	40
	F1299BB02	Wire/Wire	Differential	6	35	50	55	50	45
3A	F1200AA03	QC/QC	Common	20	35	43	52	55	50
	F1200BB03	Wire/Wire	Differential	4	38	59	70	64	59
	F1200CA03	IEC/QC							
	F1250AA03	QC/QC	Common	20	30	37	50	50	50
	F1250BB03	Wire/Wire	Differential	4	38	59	70	64	59
	F1250CA03	IEC/QC							
6A	F1299AA03	QC/QC	Common	26	37	45	45	45	40
	F1299BB03	Wire/Wire	Differential	6	40	55	55	50	45
	F1299CA03	IEC/QC							
	F1200AA06	QC/QC	Common	10	22	30	46	50	45
	F1200BB06	Wire/Wire	Differential	9	25	48	70	70	62
	F1200CA06	IEC/QC							
10A	F1250AA06	QC/QC	Common	10	20	27	45	45	45
	F1250BB06	Wire/Wire	Differential	9	25	48	70	70	62
	F1250CA06	IEC/QC							
	F1299AA06	QC/QC	Common	20	31	40	45	45	40
	F1299BB06	Wire/Wire	Differential	6	35	50	55	50	45
	F1299CA06	IEC/QC							
20A	F1200AA10	QC/QC	Common	10	22	30	46	50	45
	F1200BB10	Wire/Wire	Differential	10	16	43	70	70	66
	F1200CA10	IEC/QC							
	F1250AA10	QC/QC	Common	10	20	27	45	45	45
	F1250BB10	Wire/Wire	Differential	10	16	43	70	70	66
	F1250CA10	IEC/QC							
30A	F1299AA10	QC/QC	Common	9	20	25	38	42	40
	F1299BB10	Wire/Wire	Differential	14	14	38	50	48	45
	F1299CA10	IEC/QC							
	F1299DD10	Screw/Screw							
	F1200AA20	QC/QC	Common	10	22	30	42	47	40
	F1200DD20	Screw/Screw	Differential	9	19	44	70	70	70
30A	F1250AA20	QC/QC	Common	10	20	25	38	40	40
	F1250DD20	Screw/Screw	Differential	9	19	44	70	70	70
	F1299AA20	QC/QC	Common	10	20	28	35	38	40
30A	F1299DD20	Screw/Screw	Differential	14	14	38	50	48	45
	F1200DD30	Screw/Screw	Common	7	15	20	34	42	40
30A	F1299DD30	Screw/Screw	Differential	11	13	44	70	60	57
	F1299DD30	Screw/Screw	Common	12	23	30	35	38	40
30A	F1299DD30	Screw/Screw	Differential	15	40	55	55	55	50

NOTE: Other combinations of terminals may be specified on special order.

Dimensions are in inches and millimeters unless otherwise specified. Values in parentheses are metric equivalents.



Curtis Industries
A Division of Powers Holdings, Inc.

1-800-657-0853

General Purpose

SINGLE PHASE FILTERS

F1200/F1250/F1299 RFI Filters (continued)

Specifications:

Rated Voltage: 250VAC Maximum - 50/60 Hz

Rated Current:

115VAC	1A	2A	3A	6A	10A	20A	30A
250VAC	1A	1.5A	2.5A	4A	6A	10A	15A

Current Overload: 6X for 8 seconds

Hi-Pot Test (1 min):	F1200 Series	F1299 Series
Line to Ground:	1500VAC	1500VAC
Line to Line:	1768VDC	1450VDC

Insulation Resistance: $9 \times 10^9 \Omega$ at 100VDC

Ambient Temperature: 40°C Max at rated current

Humidity Range: 0% to 95% R.H.

Termination:

A: QC – Quick Connect	C: IEC Receptacle
B: Wire	D: Screw

Maximum Leakage Current:

Each Line to Ground	F1200	F1250	F1299	F1260	F1270	F1280	F1299
115VAC, 60Hz:	0.40mA	0.25mA	.15mA	.25mA	.002mA	.015mA	.030mA
250VAC, 50Hz:	.75mA	.40mA	.25mA	.45mA	.005mA	.025mA	.050mA

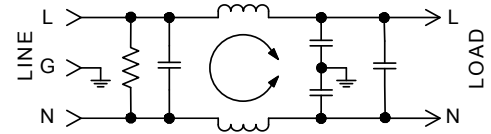
Agency Approvals F1200:



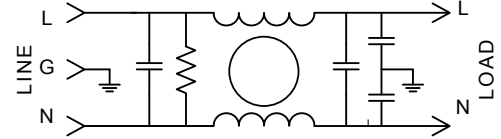
Agency Approvals F1299:



F1200/F1250 Simplified Schematic

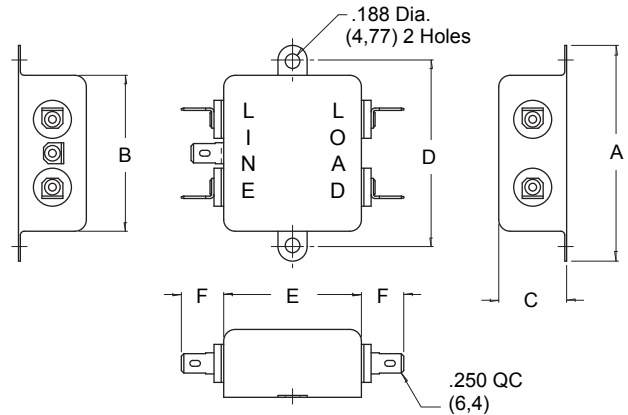


F1299 Simplified Schematic



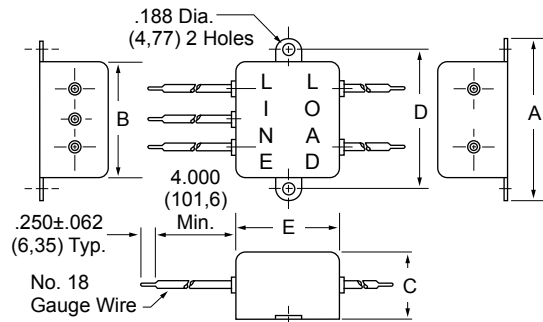
F1200AA/F1250AA (1, 3, 6, 10 and 20Amp) Dimensions

Amps	A	B	C	D	E	F
1A	2.750 (69,9)	2.00 (50,8)	.875 (22,2)	2.375 (60,3)	1.750 (44,5)	.550 (14,0)
3A	2.750 (69,9)	2.00 (50,8)	1.125 (28,5)	2.375 (60,3)	1.750 (44,5)	.550 (14,0)
6A	2.750 (69,9)	2.00 (50,8)	1.125 (28,5)	2.375 (60,3)	1.750 (44,5)	.550 (14,0)
10A	2.750 (69,9)	2.00 (50,8)	1.125 (28,5)	2.375 (60,3)	2.000 (50,8)	.550 (14,0)
20A	3.310 (84,1)	2.50 (63,5)	1.500 (38,1)	2.940 (74,7)	2.000 (50,8)	.550 (14,0)

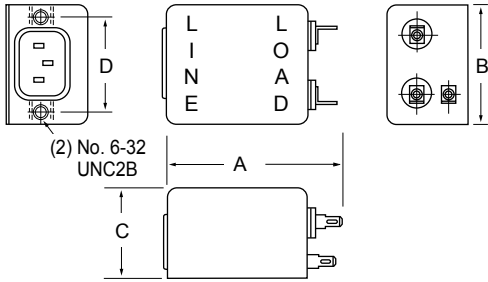


F1200BB/FB1250BB (1, 3, 6 and 10Amp) Dimensions

Amps	A	B	C	D	E
1A	2.750 (69,9)	2.00 (50,8)	.875 (22,2)	2.375 (60,3)	1.750 (44,5)
3A	2.750 (69,9)	2.00 (50,8)	1.125 (28,5)	2.375 (60,3)	1.750 (44,5)
6A	2.750 (69,9)	2.00 (50,8)	1.125 (28,5)	2.375 (60,3)	1.750 (44,5)
10A	2.750 (69,9)	2.00 (50,8)	1.125 (28,5)	2.375 (60,3)	2.000 (50,8)



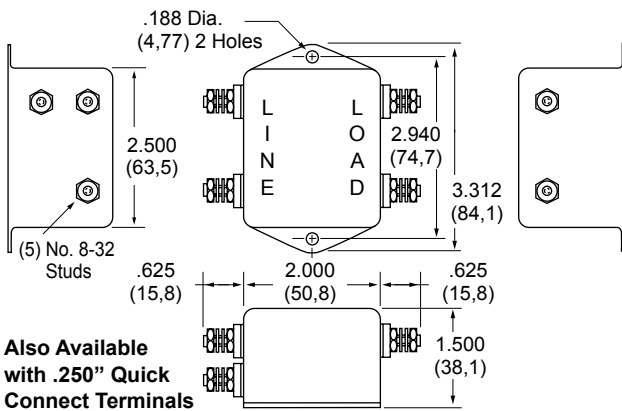
F1200CA/F1250CA (3, 6, and 10Amp) Dimensions



Amps	A	B	C	D
3A	2.55 (64,8)	2.000 (50,8)	1.50 (38,1)	1.575 (40,0)
6A	3.05 (77,5)	2.000 (50,8)	1.500 (38,1)	1.575 (40,0)
10A	3.05 (77,5)	2.000 (50,8)	1.500 (38,1)	1.575 (40,0)

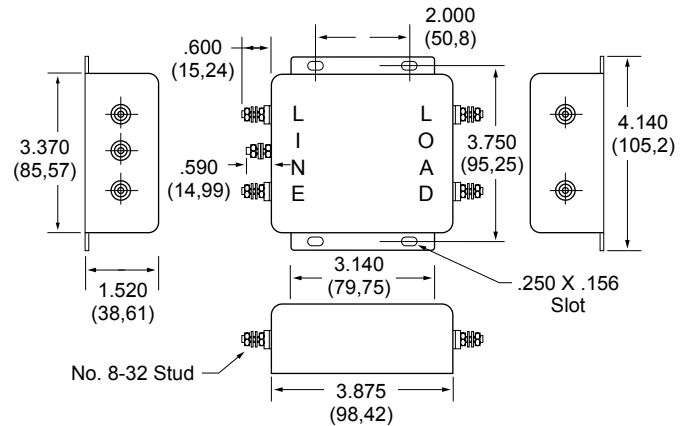
Refer to Page 40 for Standard Mounting Cutouts

F1200DD/F1250DD (20Amp Only) Dimensions



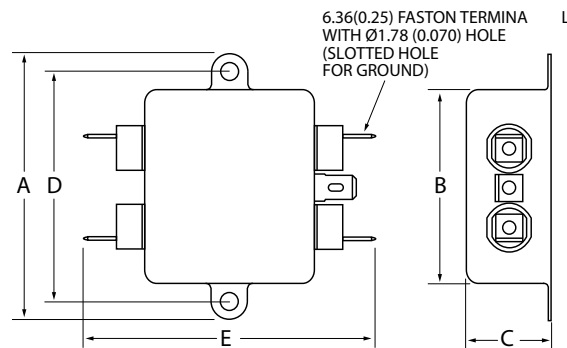
Also Available with .250" Quick Connect Terminals

F1200DD30 (30Amp Only) Dimensions



F1299AA (2, 3, 6, 10 and 20Amp) Dimensions

Amps	A	B	C	D	E
2A	2.81 (71,4)	2.07 (52,6)	0.91 (23,1)	2.375 (60,33)	3.10 (78,7)
3A	2.81 (71,4)	2.07 (52,6)	1.16 (29,5)	2.375 (60,33)	3.10 (78,7)
6A	2.81 (71,4)	2.07 (52,6)	1.16 (29,5)	2.375 (60,33)	3.10 (78,7)
10A	2.81 (71,4)	2.07 (52,6)	1.16 (29,5)	2.375 (60,33)	3.35 (85,1)
20A	3.35 (85,1)	2.56 (65,0)	1.53 (38,9)	2.938 (74,63)	3.35 (85,1)



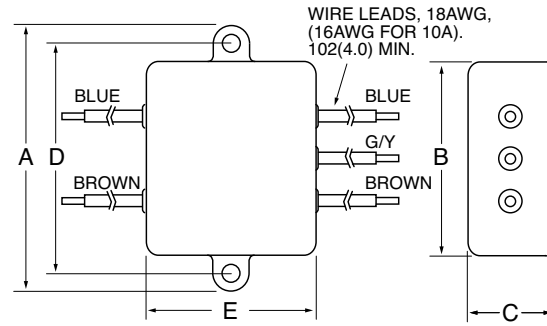
F1200/F1250/F1299 RFI Filters (continued)

General Purpose

SINGLE PHASE FILTERS

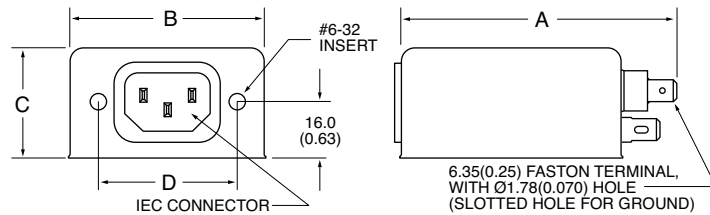
F1299BB (2, 3, 6 and 10Amp) Dimensions

Amps	A	B	C	D	E
2A	2.81 (71,4)	2.07 (52,6)	0.91 (23,1)	2.375 (60,33)	1.81 (46,0)
3A	2.81 (71,4)	2.07 (52,6)	1.16 (29,5)	2.375 (60,33)	3.10 (78,7)
6A	2.81 (71,4)	2.07 (52,6)	1.16 (29,5)	2.375 (60,33)	3.10 (78,7)
10A	2.81 (71,4)	2.07 (52,6)	1.16 (29,5)	2.375 (60,33)	2.07 (52,6)



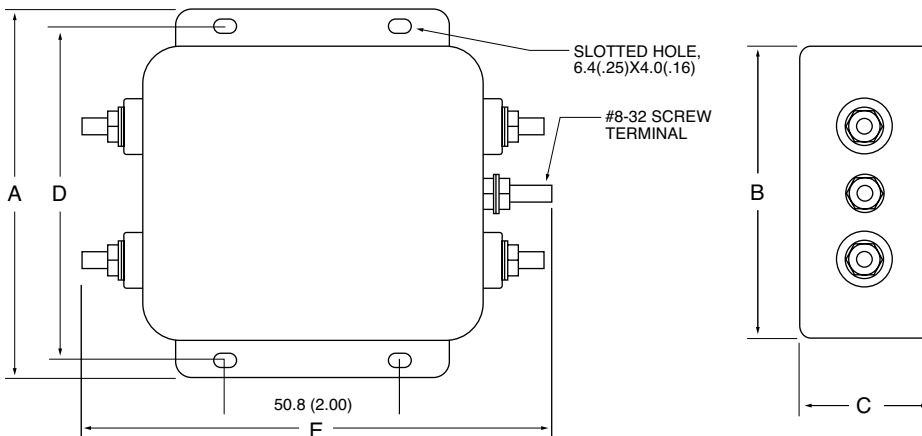
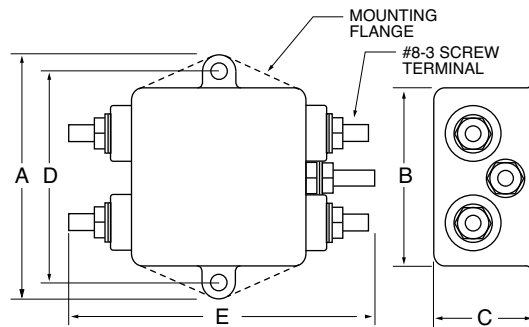
F1299CA (3, 6 and 10Amp) Dimensions

Amps	A	B	C	D
3A	3.21 (81,5)	2.25 (57,2)	1.28 (32,5)	1.575 (40,0)
6A	3.21 (81,5)	2.25 (57,2)	1.28 (32,5)	1.575 (40,0)
10A	3.71 (94,2)	2.25 (57,2)	1.28 (32,5)	1.575 (40,0)



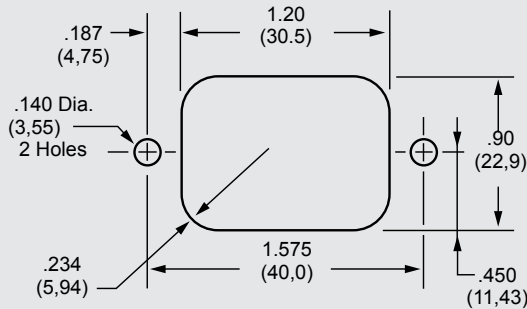
F1299DD (10, 20 and 30Amp) Dimensions

Amps	A	B	C	D	E
10A	2.81 (71,40)	2.07 (52,6)	1.16 (29,5)	2.375 (60,33)	3.46 (87,9)
20A	3.35 (85,1)	2.56 (65,0)	1.53 (38,9)	2.938 (74,63)	3.46 (87,9)
30A	4.20 (106,7)	3.38 (85,9)	1.53 (38,9)	3.750 (95,25)	5.34 (135,6)

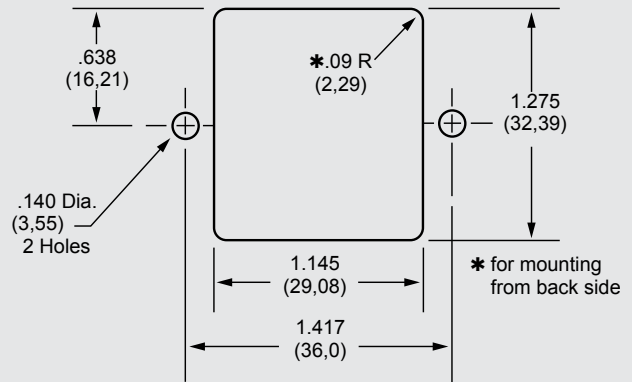


Standard Mounting Cutouts

F1200CA, F1300CA, F1400CA, F1500CA, F1600CA, F1700CA



F1500FA, F1600FA,

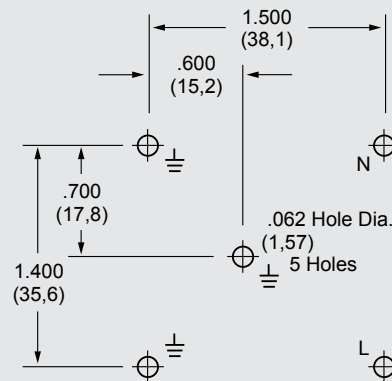


How to Order

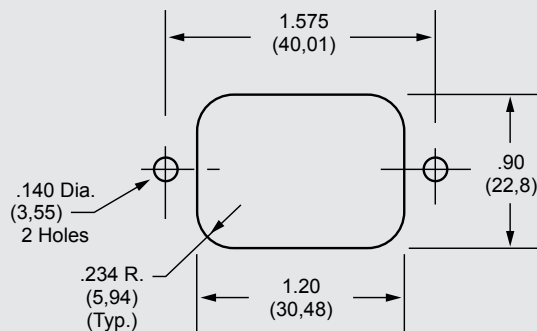
The Curtis part numbering system is made up of four elements. Each element denotes a specific requirement (mechanical or electrical) which, when properly sequenced, fully identifies the required catalog filter. As shown, the first five alpha/numeric characters denote the series type; the sixth character (alpha) denotes the type of line termination; the seventh character (alpha) denotes the type of load termination; the last two characters (numeric) denote the current rating.

Compose your part number as follows: Select the series required, add two alpha character for the line and load termination, followed by two numeric characters for the required current rating. For example, F1100AB06 completely identifies an F1100 series filter with quick connects on line side and wire leads on load side, with a 6-amp rating.

F1300CP, F1600CP



F5500/5600/5700 SERIES



SINGLE PHASE FILTERS

F1100	X	X	X
SERIES	LINE TERMINATION	LOAD TERMINATION	CURRENT RATING
PE = Power Entry PM = Medical Power Entry	A = Quick Connects B = Wire Leads C = IEC Connector D = Screw Terminals (20 & 30 amp only) F = Fused IEC P = Printed Circuit Pins W = Dual Fused IEC J = Switched IEC	A = Quick Connects B = Wire Leads D = Screw Terminals (20 & 30 amp only) P = Printed Circuit Pins S = Solder Tab	01 = 1 Amp 03 = 3 Amps 06 = 6 Amps 10 = 10 Amps 15 = 15 Amps 20 = 20 Amps 30 = 30 Amps

