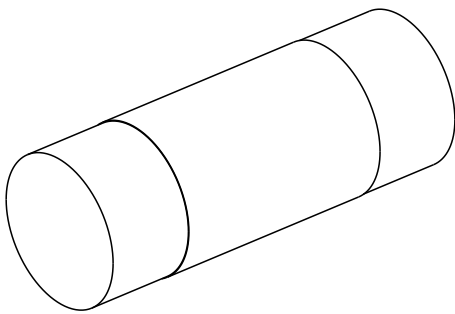
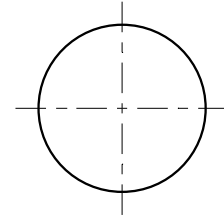
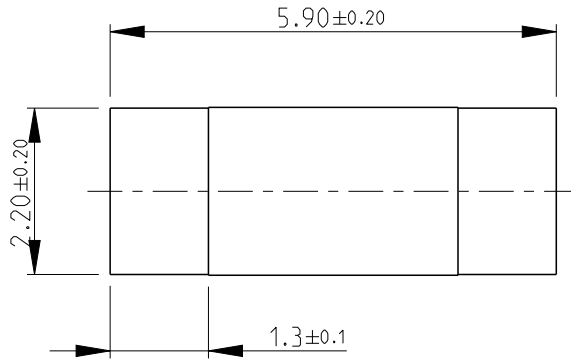


REVISIONS

P	LTR	DESCRIPTION	DATE	DWN	APVD
	BA	NEW RELEASE	02NOV2017	RK	TN

FOR FURTHER INFORMATION SEE DATA SHEET OF SMA-SERIES MELF RESISTORS



RoHS Compliant


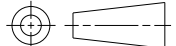
2008

RELEASED FOR PUBLICATION

ALL RIGHTS RESERVED.

THIS DRAWING IS UNPUBLISHED.

© COPYRIGHT 2008

DIMENSIONS:		DWN	02NOV2017	MATERIAL	-	FINISH	-
mm		CHK	02NOV2017	 TE Connectivity			
TOLERANCES UNLESS OTHERWISE SPECIFIED:		APVD	02NOV2017				
0 PLC	$\pm 0.2$	PRODUCT SPEC	-	NAME			
1 PLC	$\pm 0.1$	APPLICATION SPEC	-	MELF RESISTORS			
2 PLC	$\pm$	WEIGHT	-	SIZE	CAGE CODE	DRAWING NO	RESTRICTED TO
3 PLC	$\pm$			A 4	00779	C=2176316	-
4 PLC	$\pm$			CUSTOMER DRAWING			
ANGLES	$\pm 5^\circ$			SCALE	10:1	SHEET	1 OF 1
						REV	BA