

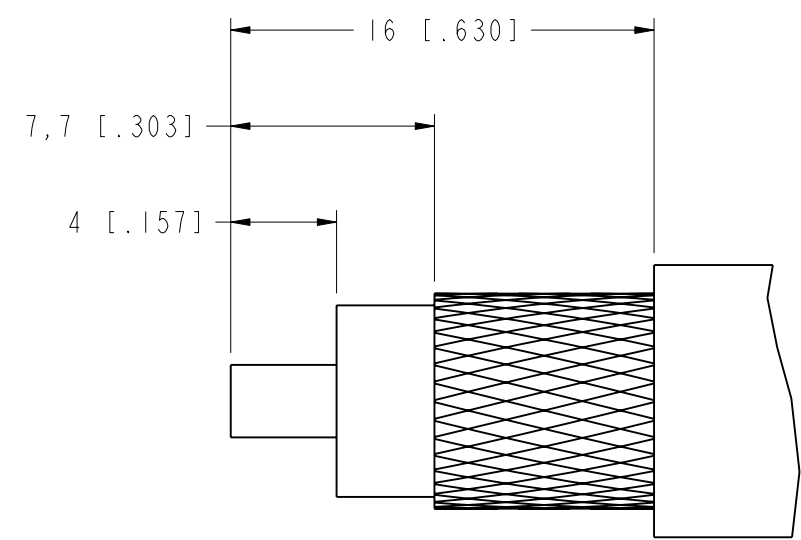
NOTES:

1. MATERIALS AND FINISHES:  
 BODY - BRASS, NICKEL PLATING  
 CONTACT - BRASS, GOLD PLATING  
 INSULATOR - PTFE NATURAL
2. ELECTRICAL:  
 A. IMPEDANCE: 50 OHM  
 B. FREQUENCY RANGE: 0-3 GHz  
 C. DIELECTRIC WITHSTANDING VOLTAGE: 1500 VRMS, MIN.
3. MECHANICAL:  
 A. DURABILITY: 100 CYCLES MIN.  
 B. TEMPERATURE RANGE: -40°C TO +140°C
4. CRIMPED FERRULE  
 HEX CRIMP SIZE .429"
5. CRIMPED CONTACT PIN  
 HEX CRIMP SIZE .118" OR SOLDER

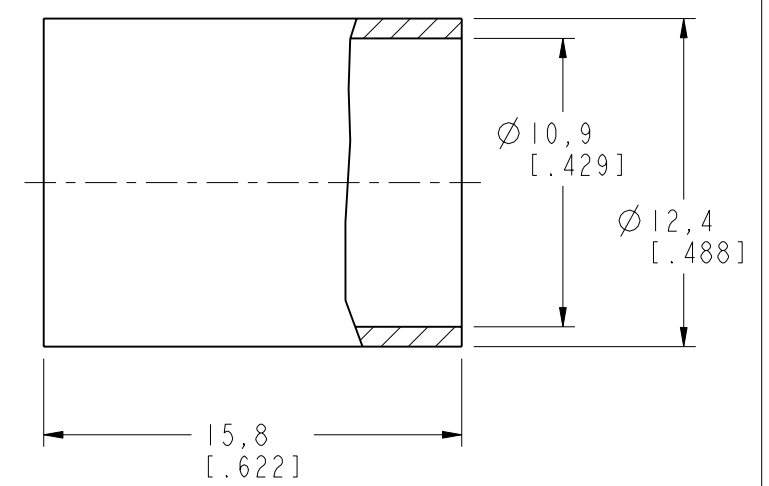
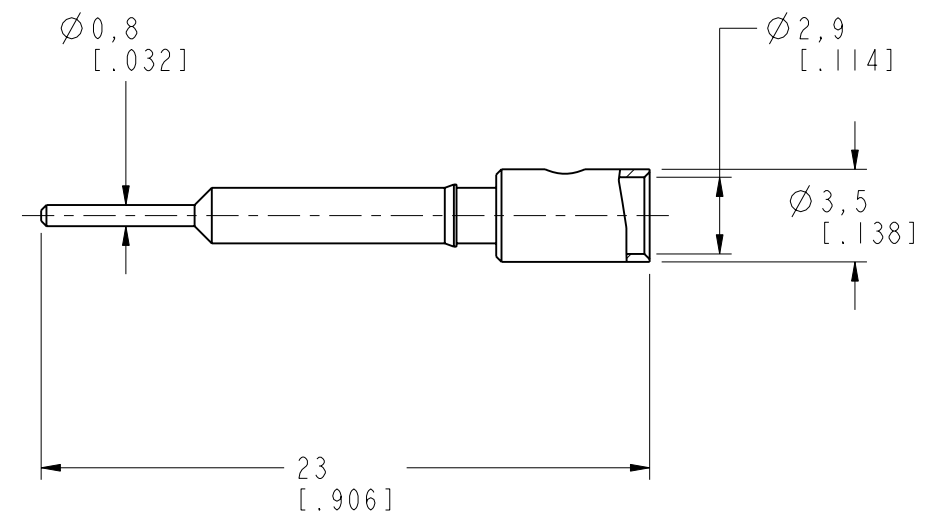
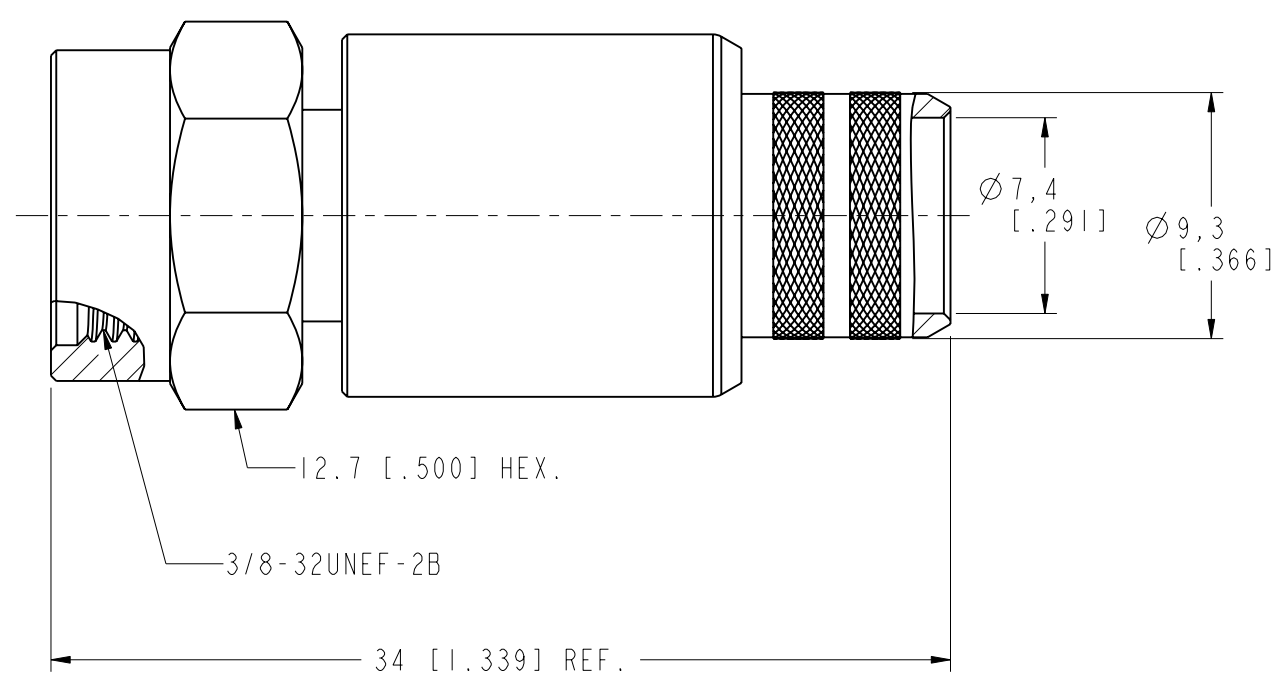
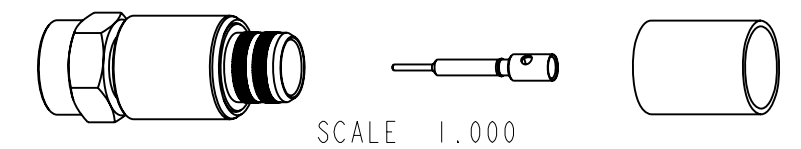
THIRD ANGLE PROJ.

REVISIONS

REV	DESCRIPTION	DATE	ECO	APPR
NC	INITIAL RELEASE	27-May-00	-----	GRS
A	UPDATE DRAWING FORMAT	29-Nov-05	-----	GRS
B	REDRAWN IN PRO-E	16-Jul-14	2771	MZ



RECOMMENDED  
CABLE STRIPPING DIM'S



**CUSTOMER OUTLINE DRAWING**  
ALL OTHER SHEETS ARE FOR INTERNAL USE ONLY

UNLESS OTHERWISE SPECIFIED, DIMENSIONS ARE IN METRIC AND TOLERANCES ARE: <0.5mm ±0.05mm    0.5 - 6mm ±0.1mm    6 - 30mm ±0.2mm    30 - 120mm ±0.3mm    ANGLES ±1°	MATERIAL	DRAWN M. ZHANG	DATE 16-Jul-14	TITLE F CRIMP PLUG (FOR BELDEN 8214,9913 9914, LMR400 CABLE)	Amphenol Connex
	REFERENCE F1121A3-NT3G-LMR400-50	ENGINEER RICHER	DATE 16-Jul-14		
NOTICE - These drawings, specifications, or other data (1) are, and remain the property of Amphenol corp. (2) must be returned upon request; and (3) are confidential and not to be disclosed to any person other than those to whom they are given by Amphenol Corp. the furnishing of these drawings, specifications, or other data by Amphenol Corp., or to any other person to anyone for any purpose is not to be regarded by implication or otherwise in any manner licensing, granting rights to permitting such holder or any other person to manufacture, use or sell any product, process or design, patented or otherwise, that may in any way be related to or disclosed by said drawings, specifications, or other data.	CONFIGURATION LEVEL:	APPROVED S. HSIEH	DATE 16-Jul-14	SCALE: 3.5:1.0   SHEET 3 OF 3	ITEM NO.
	FINISH	CAD FILE	DWG SIZE B	REV B	PART NO. 222166