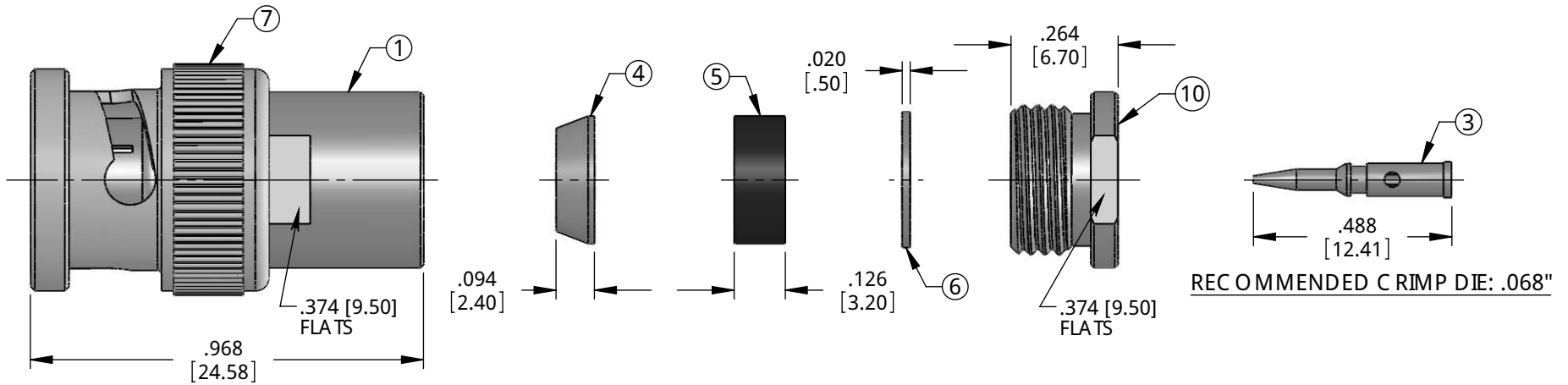
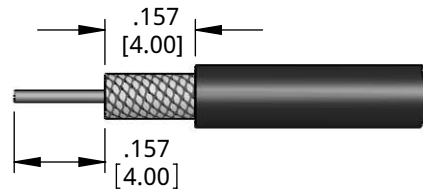


RFB-1100-B

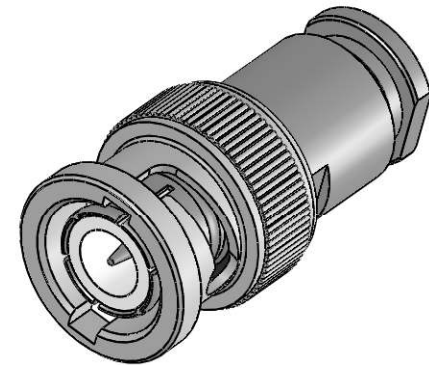
REV	DESCRIPTION	DATE	APPR
B1	CONVERTED DRAWING FORMAT TO SW	09/04/08	JDM



RECOMMENDED CRIMP DIE: .068"



RECOMMENDED STRIPPING INSTRUCTIONS



2:1

SPECIFICATIONS:

IMPEDANCE: 50 Ohms
 FREQUENCY RANGE: 0-4 GHz
 VSWR: 1.3 MAX.
 INSULATION RESISTANCE: 5k M Ohms min.
 TEMPERATURE RANGE: -65°C TO 85°C
 INSERTION LOSS(dB): 0.06 dB MAX. $\times \sqrt{f}$ (GHz)
 WORKING VOLTAGE: 500 V rms Max. @ Sea Level
 FOR RG-174, 188, 188A, 316/U, ALPHA 9174, 9316,
 BELDEN 8216, 83269, 83284, 84316 & TIMES LMR-100A CABLE

#	DESCRIPTION	PART NUMBER	MATERIAL	FINISH	QTY.
12	RETAINING RING	027-11M-002-BN	Bra ss	NIC KEL	1
11	SPRING WASHER	051-11M-001-SN	Bra ss	NIC KEL	1
10	BACK NUT	004-11M-001-BN	Bra ss	FINISH	1
9	BNC GASKET	028-11M-001-LR	SILIC ONE RUBBER	RED	1
8	WASHER	018-11X-002-BN	Bra ss	NIC KEL	1
7	BNC SHELL	012-11M-000-BN	Bra ss	NIC KEL	1
6	WASHER	018-11X-003-BN	Bra ss	NIC KEL	1
5	GASKET	022-XXX-003-LR	SILIC ONE RUBBER	NONE	1
4	BRA ID CLAMP	021-XXX-005-BN	Bra ss	NIC KEL	1
3	PIN	009-11M-017-BG	Bra ss	G OLD	1
2	INSULATOR	010-11M-005-TX	PTFE	NONE	1
1	BODY	001-11M-005-BN	Bra ss	FINISH	1

<h2>ROHS COMPLIANT</h2>		NAME	DATE
		DRAWN	C. ZUNIGA 09/04/08
UNLESS OTHERWISE SPECIFIED: DIMENSIONS ARE IN INCHES ALL DIMENSIONS ARE FOR REFERENCE ONLY		CHECKED	
		ENG APPR.	
CABLE GROUP B		PROPRIETARY AND CONFIDENTIAL	
		THE INFORMATION CONTAINED IN THIS DRAWING IS THE SOLE PROPERTY OF RF INDUSTRIES. ANY REPRODUCTION IN PART OR AS A WHOLE WITHOUT THE WRITTEN PERMISSION OF RF INDUSTRIES IS STRICTLY PROHIBITED.	
CODE 01560		SIZE	DWG. NO.
TITLE: <h1>BNC PLUG, CLAMP</h1>		A	RFB-1100-B
		SCALE: NTS	NOTES:
SHEET 1 OF 1		REV	B1

<h1>RF INDUSTRIES</h1> <p>7610 MIRAMAR RD. SAN DIEGO, CA. 92126 858-549-6340 FAX 858-549-6345</p>		
<h2>BNC PLUG, CLAMP</h2>		
SIZE	DWG. NO.	REV
A	RFB-1100-B	B1
SCALE: NTS	NOTES:	SHEET 1 OF 1