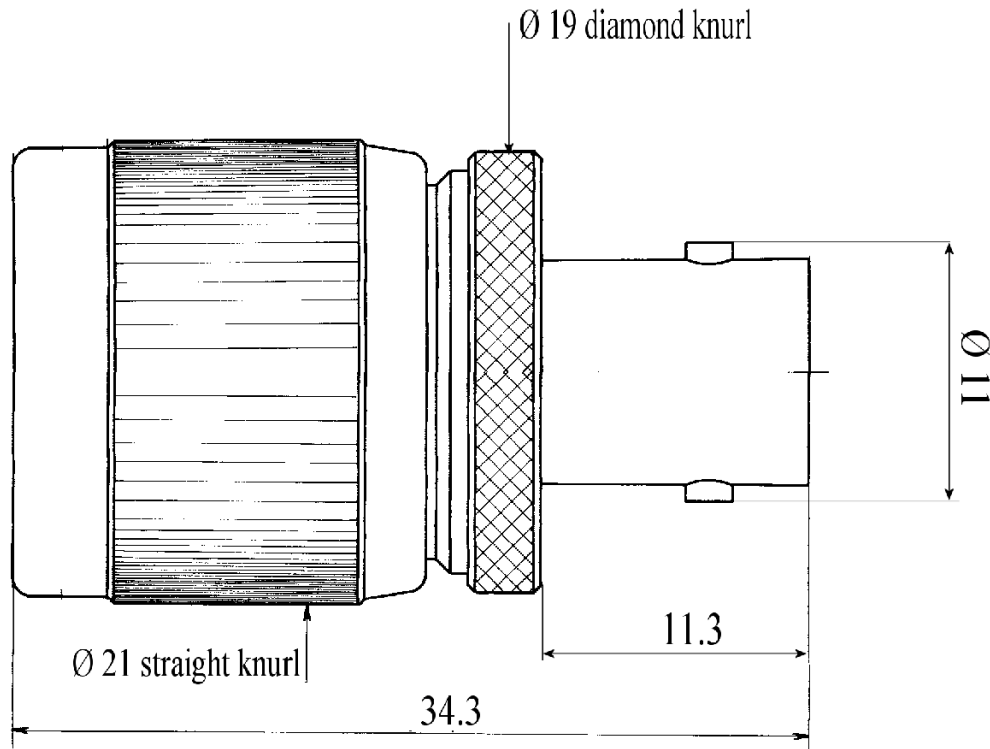


**BNC FEMALE - N MALE ADAPTER**

**R192.421.000**

Série : ADAPT 75



All dimensions are in mm.



COMPONENTS	MATERIALS	PLATINGS (µm)
BODY	BRASS	NICKEL 2
CENTER CONTACT	BRASS	GOLD 0.5 OVER NICKEL 2
OUTER CONTACT	-	-
INSULATOR	PTFE	-
GASKET	-	-
OTHERS PARTS	-	-
-	-	-
-	-	-

Issue : 0417 F

In the effort to improve our products, we reserve the rights to make changes judged to be necessary.



**BNC FEMALE - N MALE ADAPTER**

**R192.421.000**

Série : ADAPT 75

**PACKAGING**

**SPECIFICATION**

Standard	Unit	Other
<b>1</b>	-	<b>Contact us</b>

**ELECTRICAL CHARACTERISTICS**

**ENVIRONMENTAL**

Impedance		<b>75</b> Ω
Frequency		<b>0-1</b> GHz
VSWR	- +	<b>0.000</b> x F(GHz) Maxi
Insertion loss		- √F(GHz) dB Maxi
RF leakage	- (	- F(GHz) dB Maxi
Voltage rating		- Veff Maxi
Dielectric withstanding voltage		<b>1500</b> Veff mini
Insulation resistance		<b>5000</b> MΩ mini

Operating	<b>-55/+155</b> °C
Hermetic seal	- Atm.cm3/s
Panel leakage	-

**MECHANICAL CHARACTERISTICS**

**OTHERS CHARACTERISTICS**

Center contact retention		
Axial force – Mating end		<b>27</b> N mini
Axial force – Opposite end		<b>27</b> N mini
Torque		- N.cm mini
Recommended torque		
Mating	N	<b>0</b> N.cm
	<b>BNC</b>	<b>0</b> N.cm
	-	<b>0</b> N.cm
Panel nut		- N.cm
Mating life		<b>500</b> Cycles mini
Weight		<b>38.000</b> g

Issue : 0417 F

In the effort to improve our products, we reserve the rights to make changes judged to be necessary.

