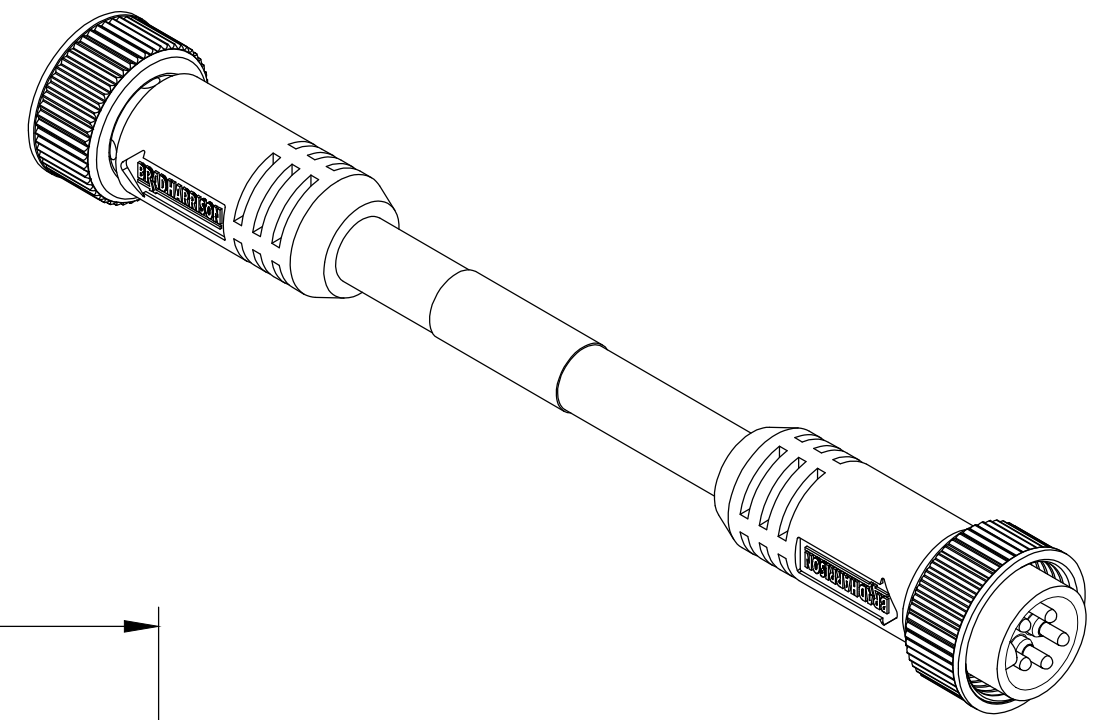


PART NO	ENGINEERING NO.	FINISHED LENGTH
1300100999	115020A01F030	3FT [0.9M]
1300101005	115020A01F060	6FT [1M 32 IN]
1300101013	115020A01F120	12FT [3M 26 IN]
1300101016	115020A01F150	15FT [4M 22 IN]
1300101020	115020A01F200	20FT [6M 4 IN]

(B) PART NUMBER LEGEND

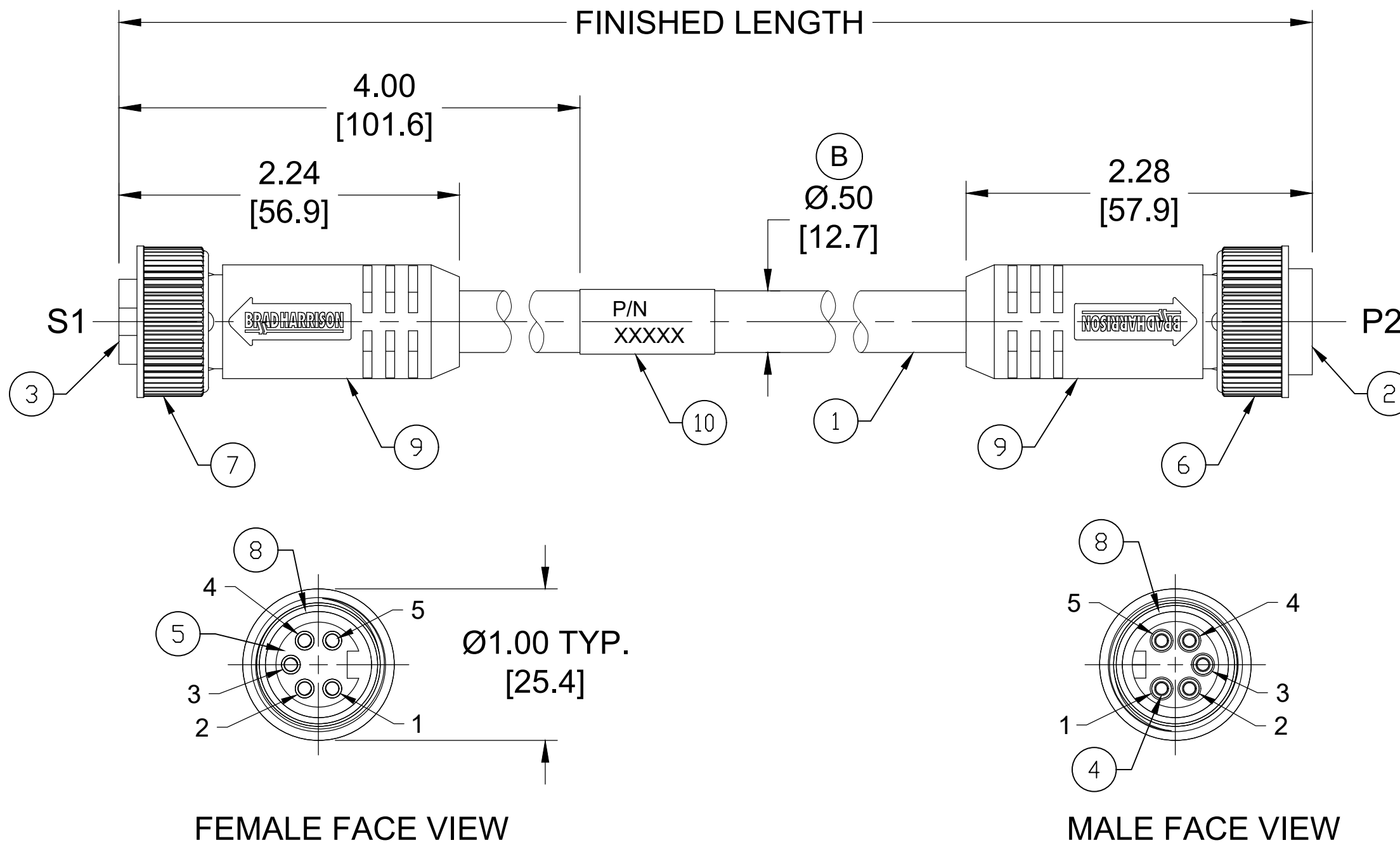
115020A01F030

FINISHED LENGTH
 F010 = 1 FEET
 F100 = 10 FEET
 F300 = 30 FEET



NOTES:

- MATERIAL: AS NOTED
- FINISH: AS NOTED
- ELECTRICAL:
 VOLTAGE: 400V PER IEC60664
 600V PER UL2238
 CURRENT: 8A
- TEMP RATING: -20° TO +105°C
- PROTECTION: IP67 (WHEN MATED)
- COUPLING THREAD: 7/8"-16UN
- UL RECOGNIZED FILE: E152210
 CSA CERTIFIED FILE: LR6837
- ALL DIMENSIONS ARE FOR REFERENCE
 UNLESS TOLERANCED OR NOTED OTHERWISE



FEMALE FACE VIEW

MALE FACE VIEW

ITEM	COMPONENT	MATERIAL	FINISH
10	WRAP LABEL	VINYL	BLACK/YELLOW
9	OVERMOLD	TPE	YELLOW
8	FRICITION RING	NYLON	WHITE
7	FEMALE COUPLING NUT	ZINC DIE CAST	BLACK-E-COAT
6	MALE COUPLING NUT	ZINC DIE CAST	BLACK-E-COAT
5	CONTACT SOCKET	BRASS	GOLD OVER NICKEL
4	CONTACT PIN	BRASS	GOLD OVER NICKEL
3	FEMALE INSERT	TPE	YELLOW
2	MALE INSERT	TPE	YELLOW
1	CABLE #16 AWG, STOOW/ST	PVC JACKET	YELLOW

S1	Color	P2
1	WHITE	1
2	RED	2
3	GREEN/YELLOW - GND	3
4	ORANGE	4
5	BLACK	5

WIRING DIAGRAM

CABLE LENGTH TOLERANCES

<.3M [1FT]: +19mm-0 [+ .75in-0]
 .3 - .9M [1 - 3FT]: +44.5mm-0 [+1.75in-0]
 .9 - 1.8M [3 - 6FT]: +55.6mm-0 [+2.19in-0]
 1.8 - 3.7M [6 - 12FT]: +88.9mm-0 [+3.50in-0]
 3.7 - 7.3M [12 - 24FT]: +165.1mm-0 [+6.50in-0]
 7.3-14.6M [24 - 48FT]: +317.5mm-0 [+12.50in-0]
 14.6 - 30.5M [48-100FT]: +622.3mm-0 [+24.50in-0]
 OVER 30M [100FT] +2% OF FINISHED LENGTH

FUNCTIONAL SYMBOLS FA=0 FC=0 FP=0	THIS DRAWING CONTAINS INFORMATION THAT IS PROPRIETARY TO MOLEX ELECTRONIC TECHNOLOGIES, LLC AND SHOULD NOT BE USED WITHOUT WRITTEN PERMISSION		CURRENT REV DESC: ITEM# 2, 3 & 9 WERE PVC. ITEM #10 WAS MYLAR. SHOWN SOCKET & SLEEVE AS ITEM #5. ADDED UL, CSA, CABLE DIA, IEC VOLTAGE, PN LEGEND & TOL CHART. MODIFIED PN CHART	
	DIMENSION UNITS INCH/MM	SCALE NTS	EC NO: 698916	
GENERAL TOLERANCES (UNLESS SPECIFIED)		DRWN: ABENJAMINLW 2021/05/25		
4 PLACES ±--- ±---		CHK'D: RSTONE 2022/03/09		
3 PLACES ±--- ±---		APPR: BWOODMAN 2022/03/11		
2 PLACES ±--- ±---		INITIAL REVISION:		
1 PLACE ±--- ±---		DRWN: LHARTMAN 2009/08/10		
0 PLACES ±--- ±---		APPR: JFMURPHY 2009/08/14		
ANGULAR TOL ± --- °		THIRD ANGLE PROJECTION		
DRAFT WHERE APPLICABLE MUST REMAIN WITHIN DIMENSIONS		DRAWING C-SIZE	SERIES 130010	
DOCUMENT STATUS P1 RELEASE DATE 2022/03/11 14:29:44		MATERIAL NUMBER SEE CHART	CUSTOMER GENERAL MARKET	
		DOCUMENT NUMBER SD-130010-006	DOC TYPE/DOC PART/REVISION PSD 001 B	
		PRODUCT CUSTOMER DRAWING		
		SHEET NUMBER 1 OF 1		