

327905-1 ✓ ACTIVE

SOLISTRAND

TE Internal #: 327905-1

Ring Terminals & Spade Terminals, Hook Tongue, 12 – 10 AWG

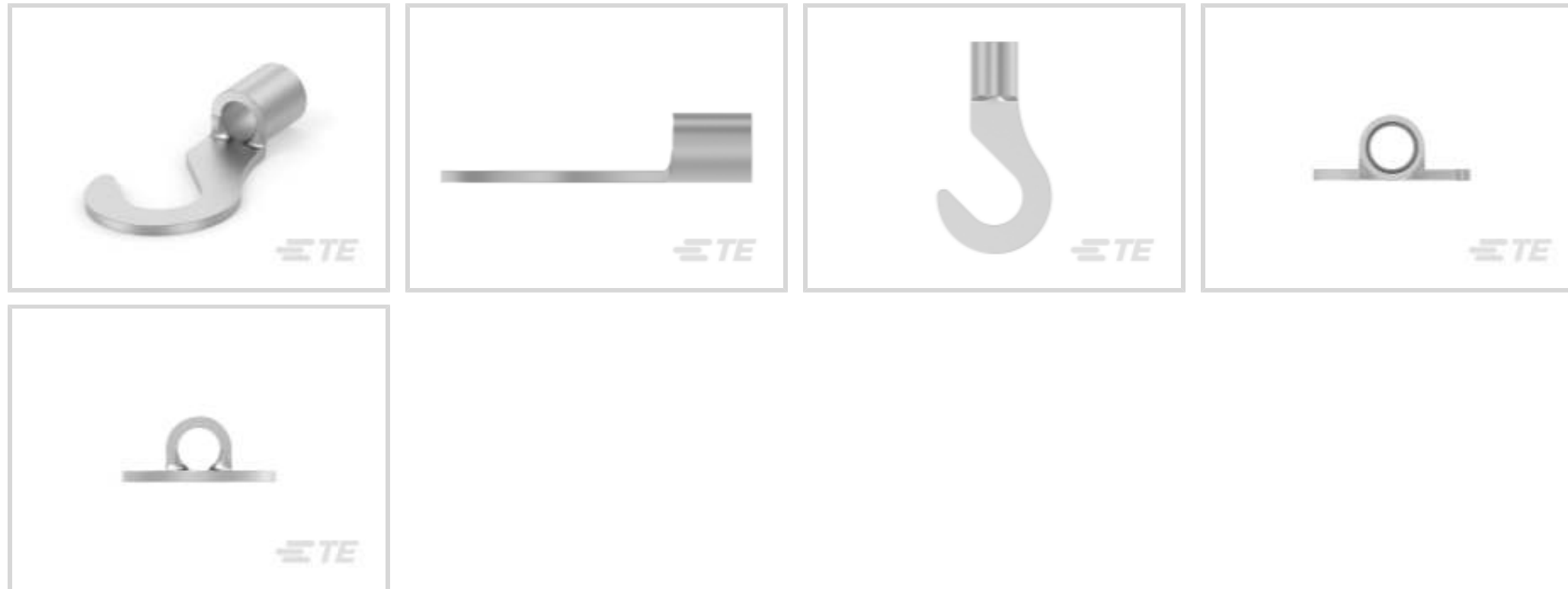
Wire Size, 2.62 – 6.64 mm<sup>2</sup> Wire Size, 5180 – 13100 CMA Wire Size,

Stud Size M6

[View on TE.com >](#)



Terminals & Splices > Ring Terminals & Spade Terminals



Ring & Spade Terminal Type: **Hook Tongue**

Wire Size: **5180 – 13100 CMA**

Stud Size: **M6**

**Features**

**Product Type Features**

Stud Size	M6
Sealable	No
Wire Insulation Support Retention Type	Non-Insulation Support

**Body Features**

Product Weight	2.255 g
----------------	---------

**Contact Features**

Ring & Spade Terminal Type	Hook Tongue
Barrel Type	Closed
Terminal Orientation	Straight
Terminal Plating Material	Tin

**Mechanical Attachment**

Wire Insulation Support	Without
-------------------------	---------

**Dimensions**

Wire Size	5180 – 13100 CMA
Stud Diameter	6.73 mm[.265 in]



Tongue Thickness	.79 mm[.031 in]
Product Length	25.5 mm[1.004 in]
Barrel Inside Diameter	3.4 mm[.134 in]

### Usage Conditions

Insulation Option	Uninsulated
Operating Temperature Range	170 °C[338 °F]

### Operation/Application

Compatible With Wire Base Material	Copper
Compatible With Wire Plating Material	Tin

### Industry Standards

Government Qualified Terminal	No
-------------------------------	----

### Packaging Features

Packaging Quantity	2500
Packaging Method	Tape Mounted

### Other

Line	Budget
------	--------

## Product Compliance

[For compliance documentation, visit the product page on TE.com>](#)

EU RoHS Directive 2011/65/EU	Compliant
EU ELV Directive 2000/53/EC	Compliant
China RoHS 2 Directive MIIT Order No 32, 2016	No Restricted Materials Above Threshold
EU REACH Regulation (EC) No. 1907/2006	Current ECHA Candidate List: JUNE 2023 (235) Candidate List Declared Against: JUNE 2023 (235) Does not contain REACH SVHC
Halogen Content	Low Halogen - Br, Cl, F, I < 900 ppm per homogenous material. Also BFR/CFR/PVC Free
Solder Process Capability	Not applicable for solder process capability

#### Product Compliance Disclaimer

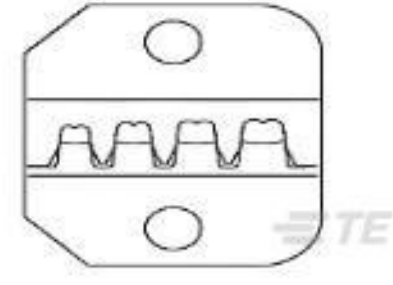
This information is provided based on reasonable inquiry of our suppliers and represents our current actual knowledge based on the information they provided. This information is subject to change. The part numbers that TE has identified as EU RoHS compliant have a maximum concentration of 0.1% by weight in homogenous materials for lead, hexavalent chromium, mercury, PBB, PBDE, DBP, BBP, DEHP, DIBP, and 0.01% for cadmium, or qualify for an exemption to these

limits as defined in the Annexes of Directive 2011/65/EU (RoHS2). Finished electrical and electronic equipment products will be CE marked as required by Directive 2011/65/EU. Components may not be CE marked. Additionally, the part numbers that TE has identified as EU ELV compliant have a maximum concentration of 0.1% by weight in homogenous materials for lead, hexavalent chromium, and mercury, and 0.01% for cadmium, or qualify for an exemption to these limits as defined in the Annexes of Directive 2000/53/EC (ELV). Regarding the REACH Regulation, the information TE provides on SVHC in articles for this part number is based on the latest European Chemicals Agency (ECHA) 'Guidance on requirements for substances in articles' posted at this URL: <https://echa.europa.eu/guidance-documents/guidance-on-reach>

## Compatible Parts



TE Part # 58508-1  
PRO-CRIMPER HD TL W/DIE BUDGET



TE Part # 58509-1  
PRO-CRIMPER DIE BUDGET

## Customers Also Bought



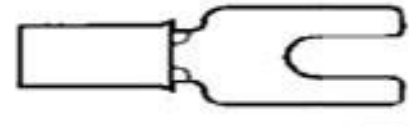
TE Part #2-35772-1  
TERMINAL,SOLIS R 12-10 1/4



TE Part #329254  
TERMINAL,TERMI-FOIL 12-10




TE Part #2227302-1  
CAGE ASSY, PRESS FIT, SFP



TE Part #40521  
SPADE TERMINAL 18-14 AWG TPBR



TE Part #2013290-1  
SEMI-HARD TRAY DDR3 204P 5.2H RVS



TE Part #276708-2  
TERM,TERMI-FOIL, TAP, 16-14 AWG, STRIP



TE Part #2118727-2  
STD SHIELD COVER, CRS-29.96X19.10X2.00MM



TE Part #2118728-2  
STD SHIELD FRAME, CRS-29.36X18.50X7.00MM



TE Part #1-2176347-3  
CRGCO 2010 100R 1%

## Documents



### Product Drawings

[BUDG,12-10,1/4 HOOK \(TAPE\)](#)

English

---

### CAD Files

[3D PDF](#)

3D

Customer View Model

[ENG\\_CVM\\_CVM\\_327905-1\\_S.2d\\_dxf.zip](#)

English

Customer View Model

[ENG\\_CVM\\_CVM\\_327905-1\\_S.3d\\_igs.zip](#)

English

Customer View Model

[ENG\\_CVM\\_CVM\\_327905-1\\_S.3d\\_stp.zip](#)

English

By downloading the CAD file I accept and agree to the [Terms and Conditions](#) of use.

---

### Agency Approvals

[UL Report](#)

English