



A Product Line of
Diodes Incorporated



SPECIFICATION FOR APPROVAL

CUSTOMER

NOMINAL FREQUENCY

31.250000 MHz

PRODUCT TYPE

TYPE GC 49S SMD QUARTZ CRYSTAL

PART NUMBER

GC3120001

CUSTOMER P/N

ISSUE DATE

May 2, 2018

VERSION

E

| APPROVED | PREPARED | QA |
|------------|--------------|-----------|
| Brenda Kuo | Claire Cheng | Dony Yang |

Diodes Incorporated

No.2, Ziqiang 5th Rd., Zhongli Industrial Park,
Zhongli Dist., Taoyuan City 32063, Taiwan (R.O.C.)
TEL:886-3-451-8888
FAX:886-3-461-3865
<https://www.diodes.com>

*RoHS Compliant

*HF-Halogen Free

*REACH Compliant

TYPE GC 49S SMD QUARTZ CRYSTAL

GC3120001

VER.E 02-MAY-18

VERSION HISTORY

| Version No. | Version Date | Description | Notes |
|-------------|--------------|--------------|-------|
| E | May. 2, 2018 | Updated logo | |

TYPE GC 49S SMD QUARTZ CRYSTAL

GC3120001

VER.E 02-MAY-18

ELECTRICAL SPECIFICATIONS

| Item | Symbol | Specifications | Units | Notes |
|---|--------|--------------------|-------|------------------------------------|
| Nominal Frequency | Fn | 31.250000 | MHz | |
| Mode of Oscillation | MO | AT Cut-Fundamental | | |
| Calibration Load Capacitance | CL | 18 | pF | |
| Calibration Tolerance | FL | ± 10 | ppm | at 25°C±3°C |
| Operating Temperature Range | TR | -10 to +70 | °C | |
| Frequency Stability(Frequency Deviation over the Operating Temperature Range) | F/T | ± 10 | ppm | Reference to the Frequency at 25°C |
| Operating Drive Level | | 100 | μW | |
| Equivalent Series Resistance | ESR | 40 | Ω | Max. |
| Shunt Capacitance | C0 | 5 | pF | Max. |
| Aging at 25°C | | ± 3 | ppm | Max, 1st year |
| Storage Temperature | | -55 to +125 | °C | |
| Insulation Resistance | | 500 | MΩ | Min |

TYPE GC 49S SMD QUARTZ CRYSTAL

GC3120001

VER.E 02-MAY-18

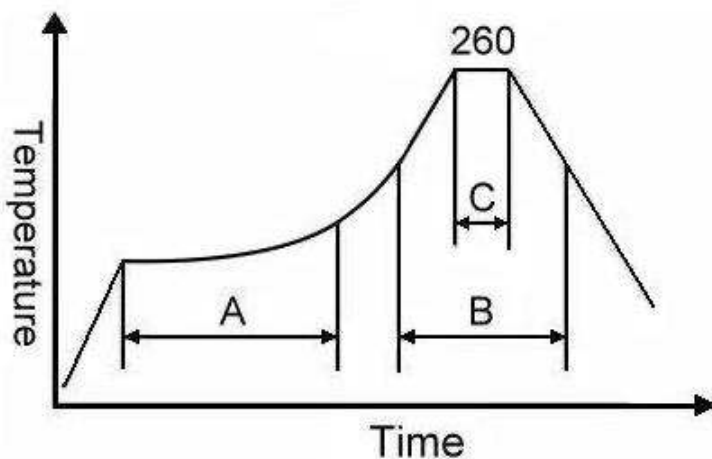
RELIABILITY SPECIFICATIONS

MECHANICAL AND ENVIRONMENTAL RATINGS:

- a) FINE LEAK TEST: JESD22-A109 (Condition 1A)
- b) GROSS LEAK TEST: JESD22-A109 (Condition C)
- c) MOISTURE RESISTANCE: JESD22-A113
- d) SHOCK: JESD22-B104 (Condition B)
- e) SOLDERABILITY : (RoHS version): J-STD-002
- f) VIBRATION: JESD22-B103
- g) SOLVENT RESISTANCE: JESD22-B107
- h) RESISTANCE TO SOLDERING HEAT (RoHS version): J-STD-020D Table 5.2 Pb free devices (3 cycles max)

SUGGESTED IR REFLOW PROFILE

*As per IPC-JEDEC J-STD-020D



Note:

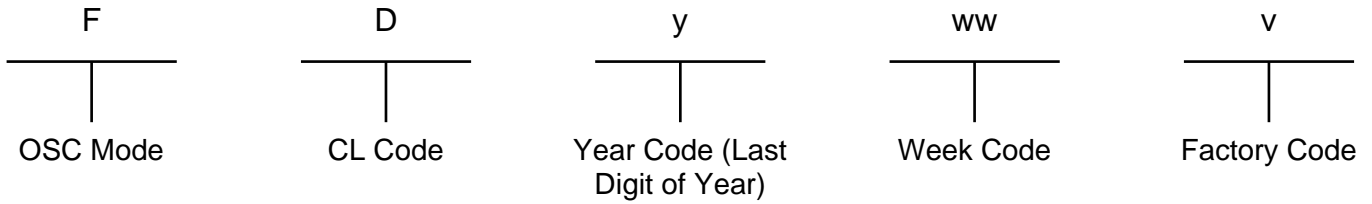
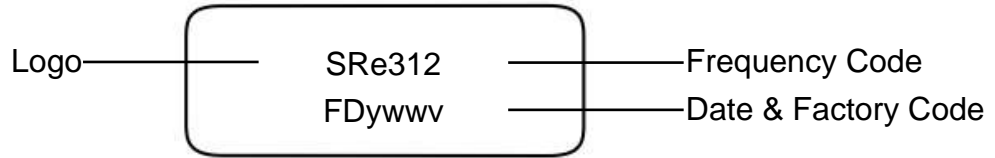
| | Stage | Temperature | Time |
|---|--------------|-------------|------------|
| A | Preheat | 150~200°C | 60~120 Sec |
| B | Primary Heat | 217°C | 60~150 Sec |
| C | Peak | 260°C | 10 Sec |

TYPE GC 49S SMD QUARTZ CRYSTAL

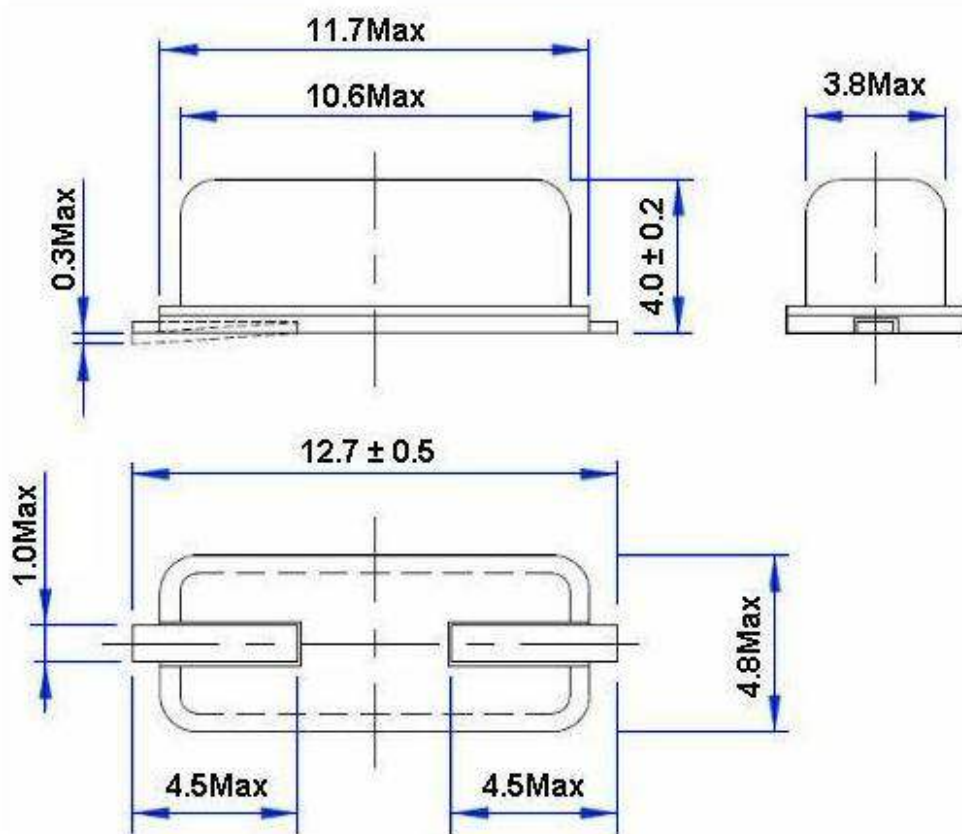
GC3120001

VER.E 02-MAY-18

MARKING



MECHANICAL DRAWINGS (Scale: None. Dimensions are in mm.)



TYPE GC 49S SMD QUARTZ CRYSTAL

GC3120001

VER.E 02-MAY-18

PACKING

