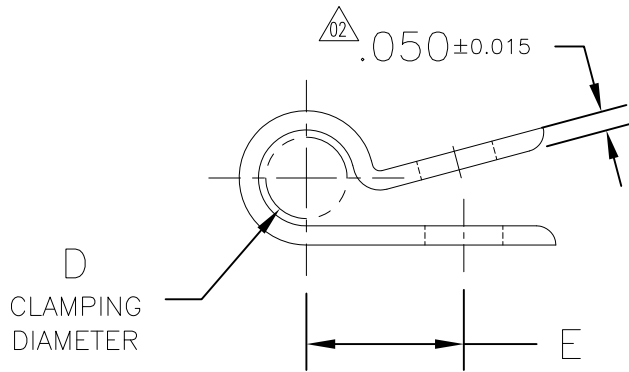
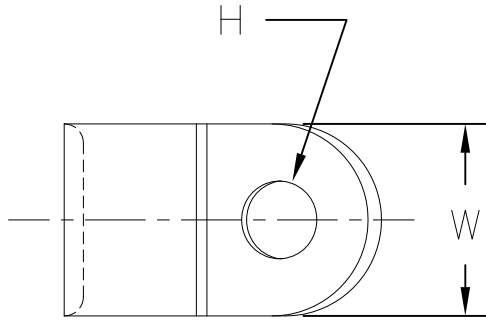


name	date	city, state

NOTES



PART NUMBER	D ±.015	W ±.015	H ±.015	E REF
T5D0125_	.125	.50	.203	.315
T5D0187_	.1875	.50	.203	.425
T5D0250_	.250	.50	.203	.410
T5D0312_	.3125	.50	.203	.500
T5D0375_	.375	.50	.203	.530
T5D0437_	.4375	.50	.203	.560
T5D0500_	.500	.50	.203	.595
T5D0562_	.5625	.50	.203	.606
T5D0625_	.625	.50	.203	.655
T5D0750_	.750	.50	.203	.780
T5D0875_	.875	.50	.203	.845
T5D1000_	1.00	.50	.203	.910
T5D1125_	1.125	.50	.203	.970
T5D1187_	1.1875	.50	.203	1.000
T5D1250_	1.25	.50	.203	1.060
T5D1375_	1.375	.50	.203	1.125
T5D1500_	1.50	.50	.203	1.190

PRODUCT CODE DESCRIPTION

T5D0312_ _____
 COLOR
 (CONSULT FACTORY FOR AVAILABLE COLORS)

REVISION	D level	02
	date	05/31/11
	by	AAC
	ECN #	011860
part level	-	

DIMENSIONS	.XXXX=	
	.XXX=	NOTED
	.XX=	
	.X=	
	∠=	
unless otherwise specified		
units	inches	

PART	number	SEE CHART	phase	PRODUCTION
	name	T5D SERIES T CLAMPS		
	material	02 NYLON 6/6		

DRAWING	FORMAT	AV	version	L	CAD	ACAD	scale	2X
	computer file number	CL\SER\2010500_02						
	checked	A.A.M.	checked	K.A.C.	approved			
	date	01/12/01	date	05/31/11	sheet	1 of 1		
	type	SERIES		number CL2010500SER				