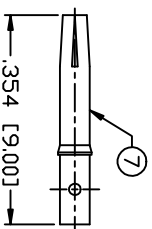
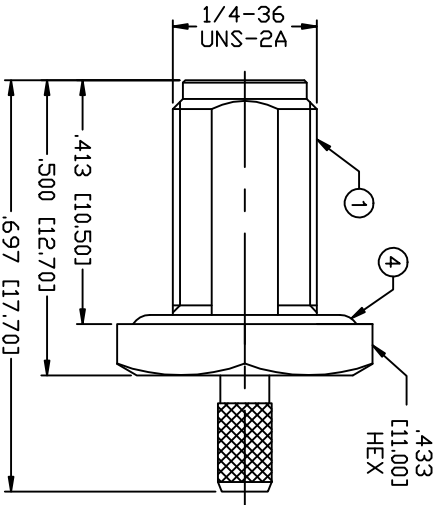
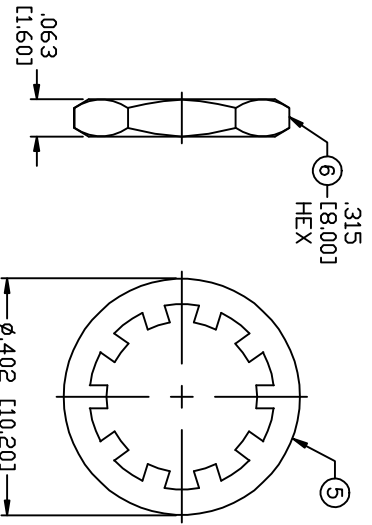
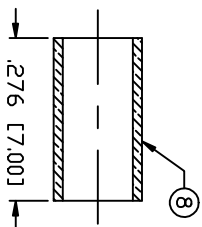


THIS DRAWING CONTAINS INFORMATION PROPRIETARY TO RF INDUSTRIES,  
ANY UNAUTHORIZED USE OF THIS DRAWING IS EXPRESSLY PROHIBITED,  
WITHOUT WRITTEN PERMISSION FROM RF INDUSTRIES.  
ANY VIOLATION IS PUNISHABLE UNDER U.S. COPYRIGHT LAWS.

ALL DIMENSIONS ARE REFERENCE ONLY



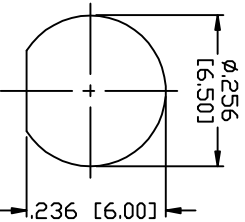
SOLDER RECOMMENDED



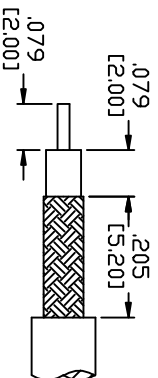
RECOMMENDED CRIMP DIE: .130"

**SPECIFICATIONS:**

IMPEDANCE: 50 Ohms  
 FREQUENCY RANGE: 0-12.4 GHz  
 INSERTION LOSS(dB):  $0.06 \times \sqrt{f(\text{GHz})}$   
 VSWR: 1.3 MAX.  
 WORKING VOLTAGE: 375 V rms Max. @ Sea Level (RG-316)  
 INSULATION RESISTANCE: 5k M Ohms min.  
 TEMPERATURE RANGE: -65°C TO 85°C  
 COMPLIANCE: RoHS  
 FOR RG-174, 188, 188A, 316/U, ALPHA 91774, 9316,  
 BELDEN 8216, 83269, 83284, 84316 & TIMES LMR-100A CABLE



RECOMMENDED MOUNTING HOLE



RECOMMENDED STRIPPING DIMENSIONS

UNLESS OTHERWISE SPECIFIED:

#	DESCRIPTION	QTY	MATERIAL	FINISH	APPROVALS	DATE
1	BODY	1	BRASS	NICKEL, 100μ"		
2	INSULATOR	1	PTFE	---	008974	
3	RING	1	BRASS	NICKEL, 100μ"		
4	GASKET	1	SILICONE	---		
5	LOCK WASHER	1	BRASS	NICKEL, 100μ"		
6	HEX NUT	1	BRASS	NICKEL, 100μ"		
7	CONTACT	1	Be, Cu, GOLD, 50μ"			
8	FERRULE	1	COPPER	NICKEL, 100μ"		
9						
10						
11						
12						
13						
14						

DIMENSIONS ARE IN INCHES  
 AND [MILLIMETERS]  
 UNLESS OTHERWISE NOTED  
 TOLERANCES ARE:  
 DECIMALS  
 DIAMETER

**RF Connectors**  
 DIVISION OF RF INDUSTRIES, LTD.  
 7610 MIRAMAR RD  
 SAN DIEGO, CA 92126  
 (858) 549-6340  
 (858) 549-6345 FAX

**SMA JACK, CRIMP**

BULKHEAD

SIZE	CABLE GROUP	DWG NO.	REV
A	B	RSA-3252-B1-03	—

SCALE:	NTS	CAD FILE	OUTLINE	SHEET	1	OF	1
--------	-----	----------	---------	-------	---	----	---

PART NO. <b>RSA-3252-B1-03</b>	
REV	DESCRIPTION
—	ENGINEERING RELEASE
DWN	DATE
KM	3/5/97
	APPROVED
	R. RICE