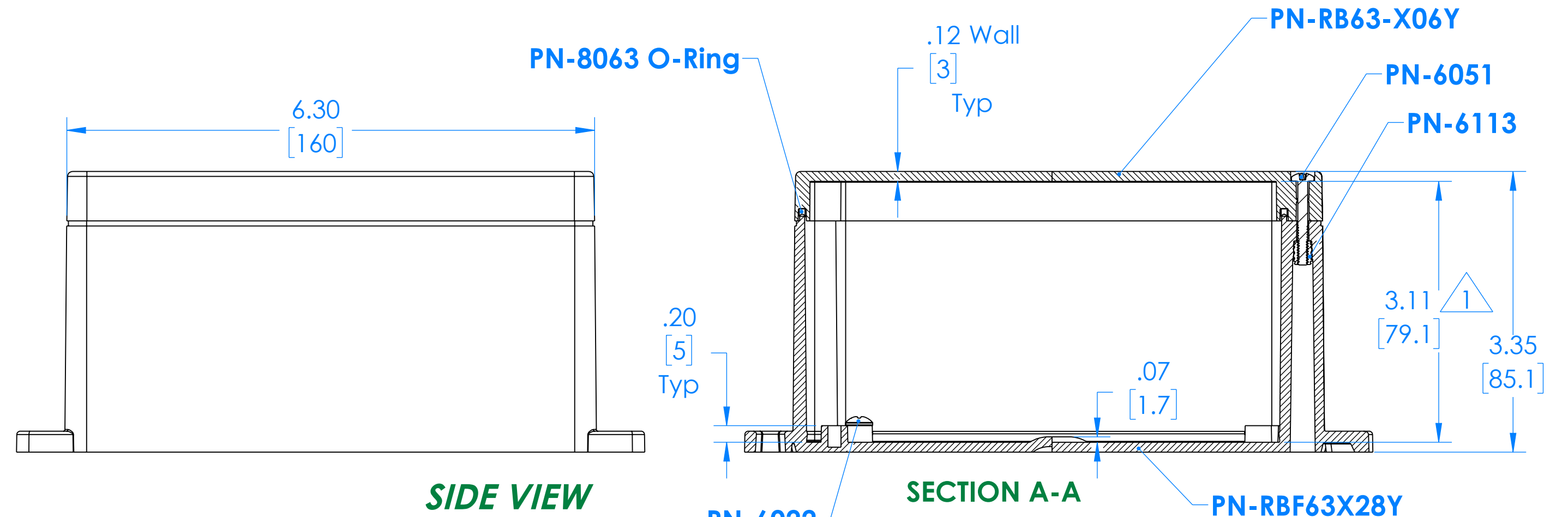
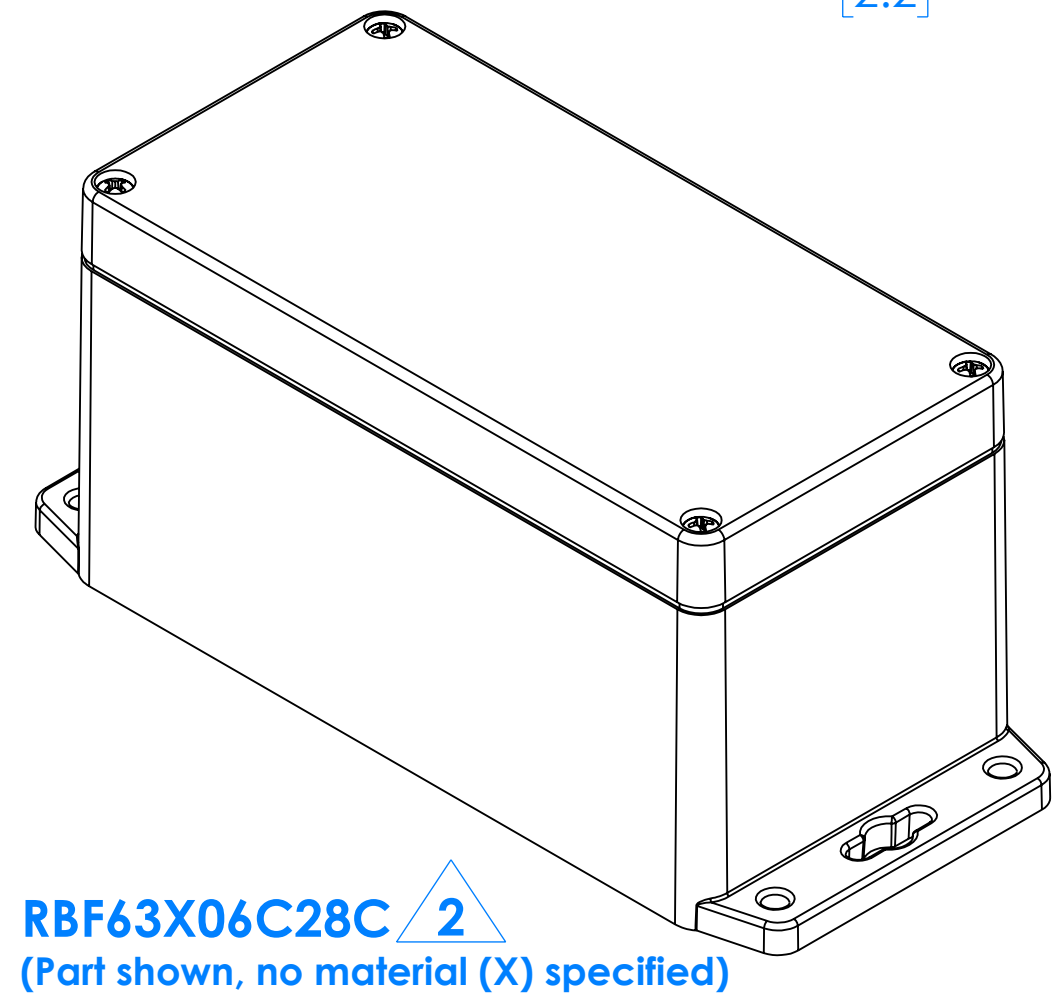
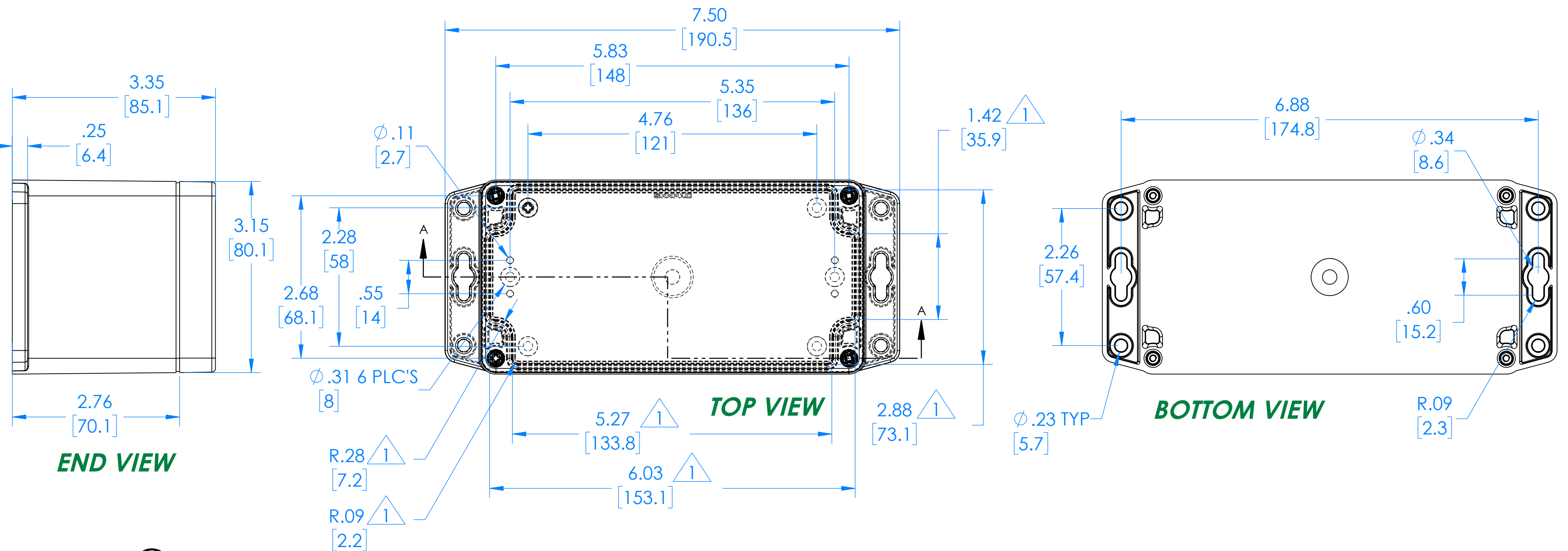


# SERPAC RBF63X06Y28Y

Electronic Enclosures

2



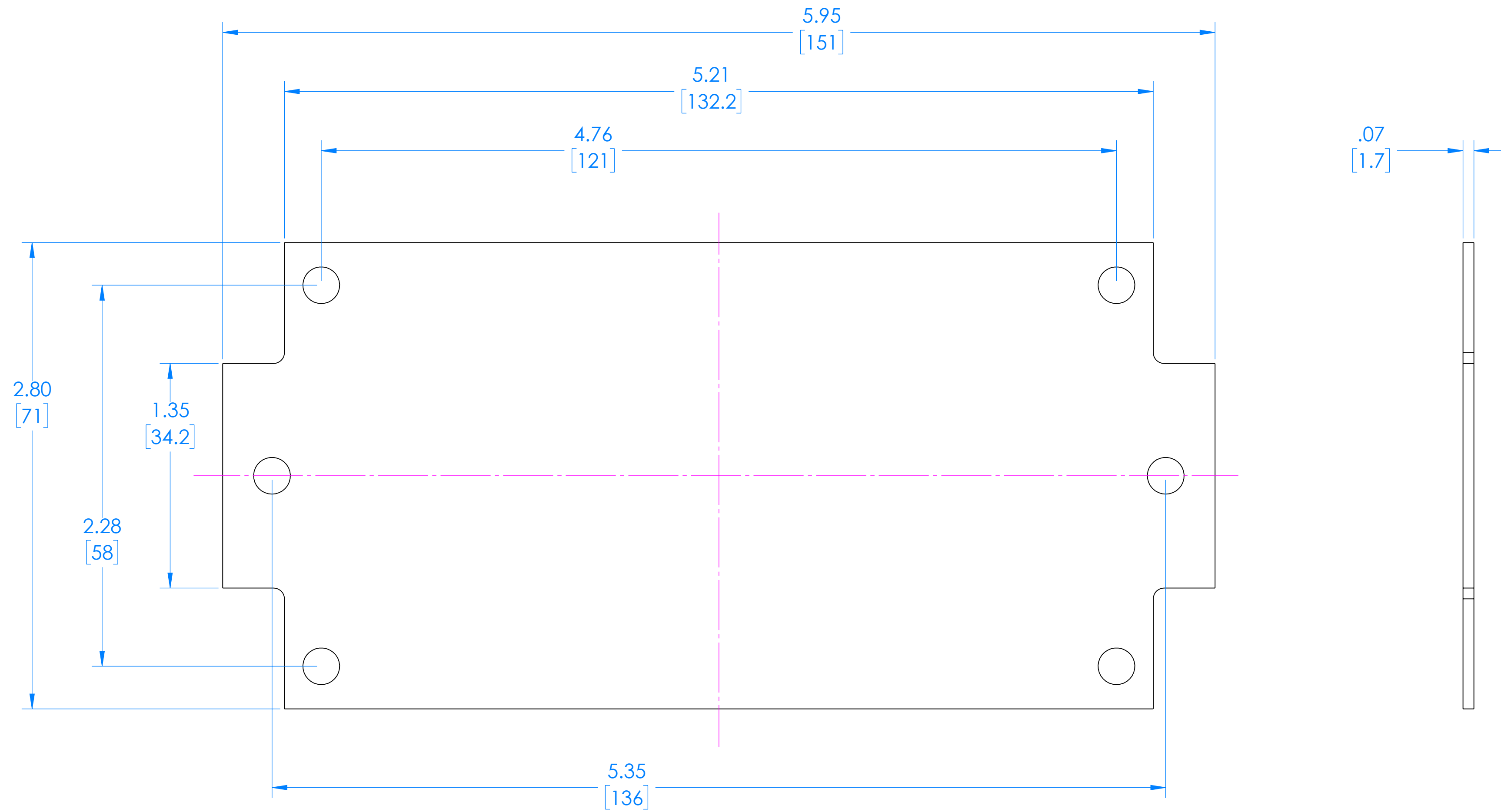
PN	Description
RB63-X06Y	(1) RB63X06Y, Top
RBF63X28Y	(1) RBF63X28Y, Bottom
8063	(1) RB63 O-Ring
6051	(4) #6-32 X 1" Captive PH Pan Hd Screw
6022	(4) #10 High/Low Pan Hd x 1/4"
6113	(4) #6-32 Threaded Insert

1 = INTERIOR DIMENSIONS (@ BOTTOM)  
 2 = STANDARD COLORS (Y) ARE: BLACK (B), CLEAR (C) AND GRAY (G)  
 TOPS AND BOTTOMS ALL POSSIBLE COMBINATIONS AVAILABLE  
 STANDARD MATERIALS (X) IS: POLYCARBONATE (P)

DIMENSIONS in Inch [mm]

-Watertight enclosure meets or exceed Nema 4 and or IP67.

# RBF63 Circuit Board (Fits all Parts starting with RBF63)



(REFERENCE ONLY)