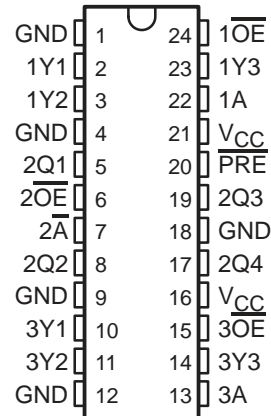


CDC330 CLOCK DRIVER WITH 3-STATE OUTPUTS

SCAS329A – OCTOBER 1993 – REVISED MARCH 1994

- Low Output Skew, Low Pulse Skew for Clock-Distribution and Clock-Generation Applications
- TTL-Compatible Inputs and Outputs
- Two Banks Distribute One Clock Input to Three Same-Frequency Clock Outputs
- One Bank Distributes One Clock Input to Four Half-Frequency Clock Outputs
- Internal Power-Up Circuit
- Distributed V_{CC} and Ground Pins Reduce Switching Noise
- Symmetrical Output Drive ($-32\text{-mA } I_{OH}$, $32\text{-mA } I_{OL}$)
- State-of-the-Art EPIC-II B™ BiCMOS Design Significantly Reduces Power Dissipation
- Packaged in Plastic Small-Outline Package

DW PACKAGE
(TOP VIEW)



description

The CDC330 is a high-performance, low-skew clock driver. It is specifically designed for applications requiring output signals at both the primary clock frequency and one-half the primary clock frequency.

This device contains two banks that fan out one input to three same-frequency outputs and one bank that fans out one input to four half-frequency outputs with minimum skew for clock distribution. Each bank of Y outputs switch in phase and at the same frequency as its clock (A) input. The four Q outputs switch at one-half the frequency of their clock ($2\bar{A}$) input.

When the output-enable ($2\overline{OE}$) input is low and the preset (\overline{PRE}) input is high, the Q outputs toggle on high-to-low transitions of $2\bar{A}$. Taking \overline{PRE} low asynchronously presets the Q outputs to the high level. When a bank's \overline{OE} input is high, the outputs are in the high-impedance state.

The CDC330 is characterized for operation from 0°C to 70°C .

FUNCTION TABLES

INPUTS		OUTPUTS nY1–nY3
$n\overline{OE}$	nA	
H	X	Z
L	L	L
L	H	H

n = 1, 3

INPUTS			OUTPUTS 2Q1–2Q3
$2\overline{OE}$	\overline{PRE}	$2\bar{A}$	
H	X	X	Z
L	L	L	H
L	H	↓	Toggle

EPIC-II B is a trademark of Texas Instruments Incorporated.

PRODUCTION DATA information is current as of publication date. Products conform to specifications per the terms of Texas Instruments standard warranty. Production processing does not necessarily include testing of all parameters.

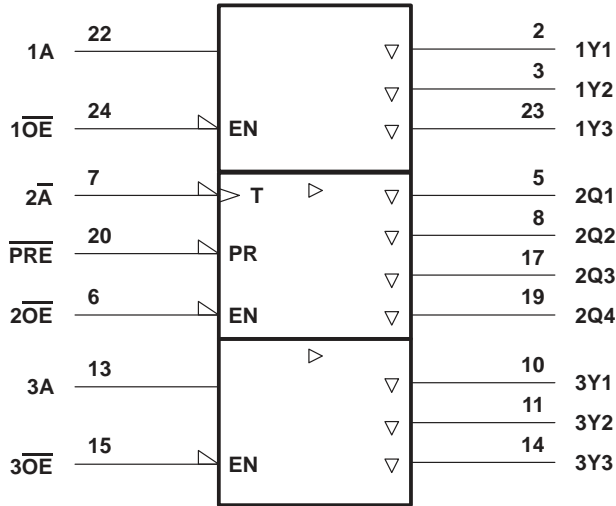


Copyright © 1994, Texas Instruments Incorporated

CDC330 CLOCK DRIVER WITH 3-STATE OUTPUTS

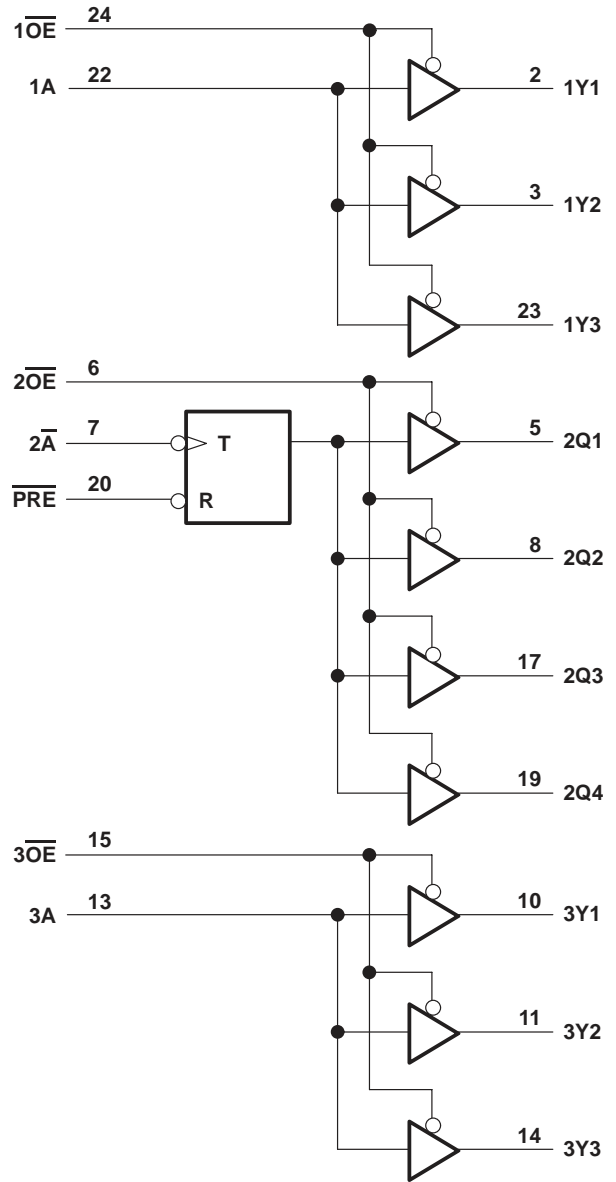
SCAS329A – OCTOBER 1993 – REVISED MARCH 1994

logic symbol†



† This symbol is in accordance with ANSI/IEEE Std 91-1984 and IEC Publication 617-12.

logic diagram (positive logic)



CDC330 CLOCK DRIVER WITH 3-STATE OUTPUTS

SCAS329A – OCTOBER 1993 – REVISED MARCH 1994

absolute maximum ratings over operating free-air temperature range (unless otherwise noted)†

Supply voltage range, V_{CC}	-0.5 V to 7 V
Input voltage range, V_I (see Note 1)	-0.5 V to 7 V
Voltage range applied to any output in the disabled or power-off state, V_O	-0.5 V to 5.5 V
Current into any output in the low state, I_O	96 mA
Input clamp current, I_{IK} ($V_I < 0$)	-18 mA
Output clamp current, I_{OK} ($V_O < 0$)	-50 mA
Maximum power dissipation at $T_A = 55^\circ\text{C}$ (in still air) (see Note 2)	1.6 W
Storage temperature range, T_{stg}	-65°C to 150°C

† Stresses beyond those listed under "absolute maximum ratings" may cause permanent damage to the device. These are stress ratings only, and functional operation of the device at these or any other conditions beyond those indicated under "recommended operating conditions" is not implied. Exposure to absolute-maximum-rated conditions for extended periods may affect device reliability.

- NOTES: 1. The input and output negative-voltage ratings may be exceeded if the input and output clamp-current ratings are observed.
 2. The maximum package power dissipation is calculated using a junction temperature of 150°C and a board trace length of 750 mils. For more information, refer to the *Package Thermal Considerations* application note in the 1994 *ABT Advanced BiCMOS Technology Data Book*, literature number SCBD002B.

recommended operating conditions (see Note 3)

	MIN	MAX	UNIT
V_{CC} Supply voltage	4.75	5.25	V
V_{IH} High-level input voltage	2		V
V_{IL} Low-level input voltage		0.8	V
V_I Input voltage	0	V_{CC}	V
I_{OH} High-level output current		-32	mA
I_{OL} Low-level output current		32	mA
T_A Operating free-air temperature	0	70	$^\circ\text{C}$

NOTE 3: Unused pins (input or I/O) must be held high or low.

electrical characteristics over recommended operating free-air temperature range (unless otherwise noted)

PARAMETER	TEST CONDITIONS		MIN	TYP‡	MAX	UNIT
V_{IK}	$V_{CC} = 4.75\text{ V}$,	$I_I = -18\text{ mA}$			-1.2	V
V_{OH}	$V_{CC} = 4.75\text{ V}$,	$I_{OH} = -32\text{ mA}$	2			V
V_{OL}	$V_{CC} = 4.75\text{ V}$,	$I_{OL} = 32\text{ mA}$			0.5	V
I_{IH}	$V_{CC} = 5.25\text{ V}$,	$V_I = 2.7\text{ V}$			50	μA
I_{IL}	$V_{CC} = 5.25\text{ V}$,	$V_I = 0.5\text{ V}$			-50	μA
I_{OZ}	$V_{CC} = 5.25\text{ V}$,	$V_O = V_{CC}$ or GND			± 50	μA
I_{O}^{\S}	$V_{CC} = 5.25\text{ V}$,	$V_O = 2.5\text{ V}$	-30		-180	mA
I_{CC}	$V_{CC} = 5.25\text{ V}$, $V_I = V_{CC}$ or GND	$I_O = 0$,	Outputs high	11	40	mA
			Outputs low	15	30	
			Outputs disabled	10	30	
C_i	$V_I = 2.5\text{ V}$ or 0.5 V			3		pF
C_o	$V_O = 2.5\text{ V}$ or 0.5 V			9		pF

‡ All typical values are at $V_{CC} = 5\text{ V}$, $T_A = 25^\circ\text{C}$.

§ Not more than one output should be tested at a time, and the duration of the test should not exceed one second.



**CDC330
CLOCK DRIVER
WITH 3-STATE OUTPUTS**

SCAS329A – OCTOBER 1993 – REVISED MARCH 1994

timing requirements over recommended ranges of supply voltage and operating free-air temperature (unless otherwise noted)

		MIN	MAX	UNIT	
f_{clock}	Clock frequency	1A/3A (duty cycle 40 – 60%)		67	MHz
		$\overline{2A}$ (duty cycle 40 – 60%)		100	MHz
t_w	Pulse duration	1A/3A low		5.9	ns
		1A/3A high		5.9	
		$\overline{2A}$ low		2.8	
		$\overline{2A}$ high		4.5	
		\overline{PRE} low		3	
t_{su}	Setup time	\overline{PRE} inactive before $\overline{2A}\downarrow$		2	ns

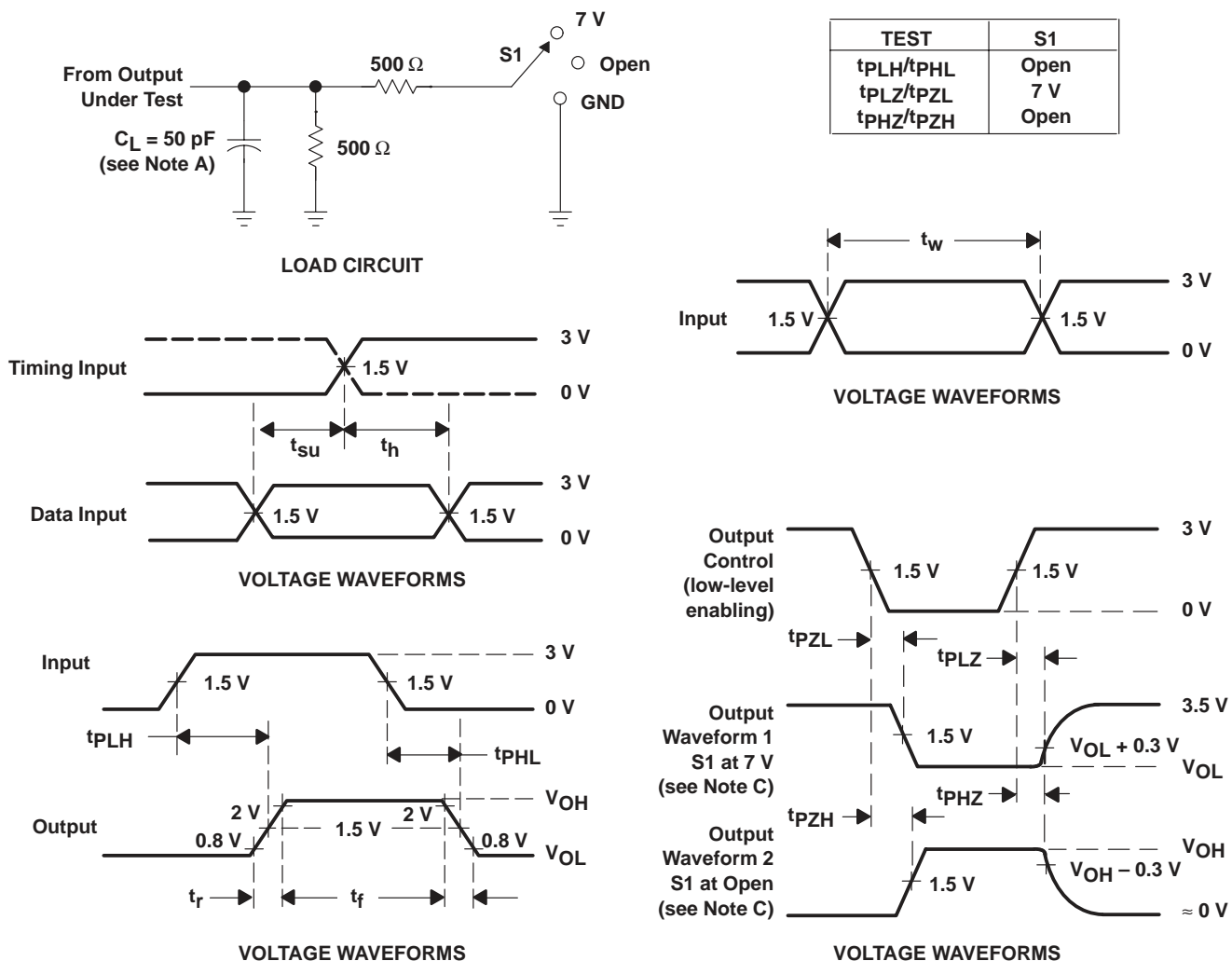
switching characteristics over recommended ranges of supply voltage and operating free-air temperature (unless otherwise noted) (see Note 4 and Figures 1 and 2)

PARAMETER	FROM (INPUT)	TO (OUTPUT)	MIN	MAX	UNIT
f_{max}^\dagger	1A or 3A	Any 1Y or 3Y	67		MHz
	$\overline{2A}$	Any Q	100		
t_{PLH}	Any A or \overline{A}	Any Y or Q	11		ns
t_{PHL}			10.5		
t_{PHL}	\overline{PRE}	Any Q	12.5		ns
t_{PZH}	Any \overline{OE}	Any Y or Q	9		ns
t_{PZL}			8.5		
t_{PHZ}	Any \overline{OE}	Any Y or Q	8.5		ns
t_{PLZ}			9		
$t_{\text{sk(o)}}$	1A	Any 1Y	0.4		ns
	3A	Any 3Y	0.4		
	1A or 3A	Any 1Y or 3Y	0.5		
	$\overline{2A}$	Any Q	0.4		
$t_{\text{sk(pr)}}$	Any A or \overline{A}	Any Y or Q	1		ns

† Duty cycle 40 – 60%

NOTE 4: All specifications are valid only for all outputs switching.

PARAMETER MEASUREMENT INFORMATION



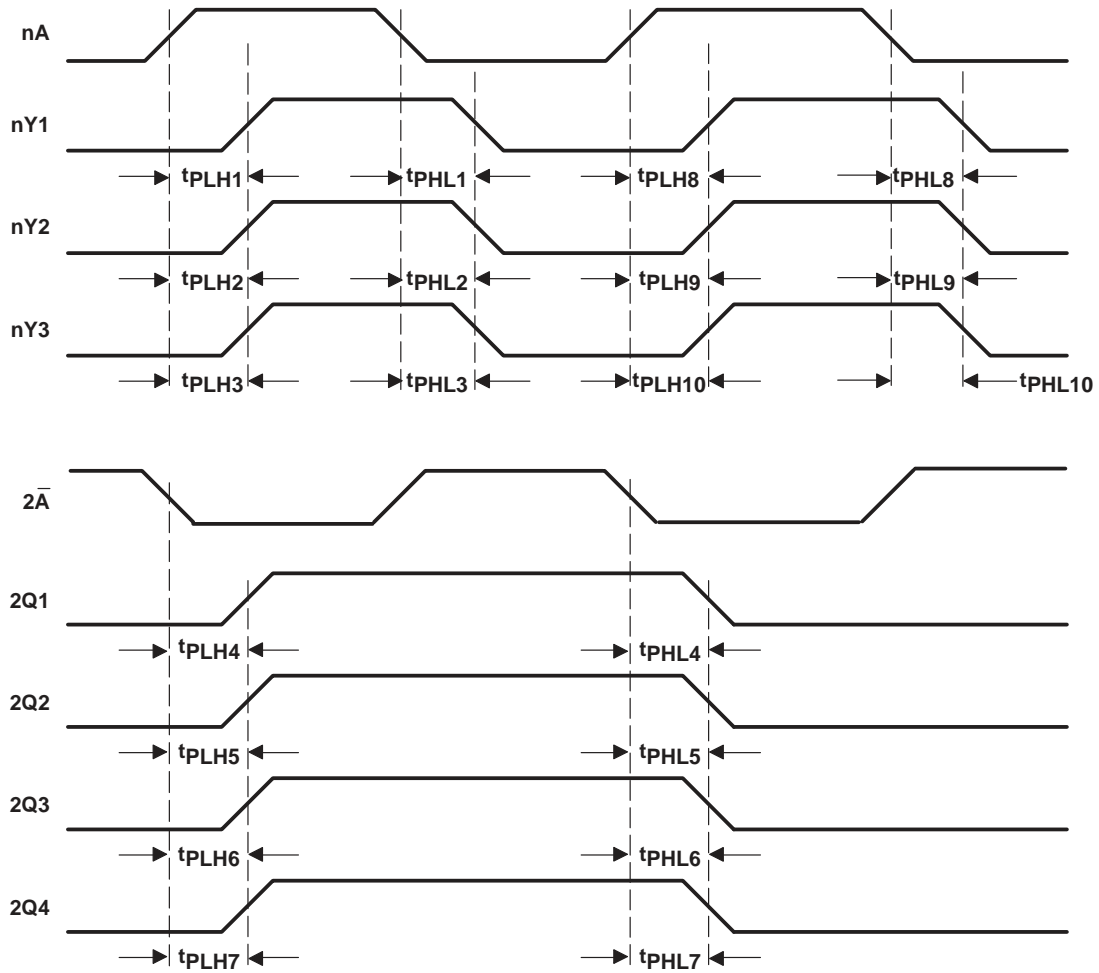
- NOTES: A. C_L includes probe and jig capacitance.
 B. All input pulses are supplied by generators having the following characteristics: $PRR \leq 10 \text{ MHz}$, $Z_O = 50 \Omega$, $t_r \leq 2.5 \text{ ns}$, $t_f \leq 2.5 \text{ ns}$.
 C. Waveform 1 is for an output with internal conditions such that the output is low except when disabled by the output control. Waveform 2 is for an output with internal conditions such that the output is high except when disabled by the output control.
 D. The outputs are measured one at a time with one transition per measurement.

Figure 1. Load Circuit and Voltage Waveforms

**CDC330
CLOCK DRIVER
WITH 3-STATE OUTPUTS**

SCAS329A – OCTOBER 1993 – REVISED MARCH 1994

PARAMETER MEASUREMENT INFORMATION



- NOTES: A. Output skew, $t_{sk(o)}$, is calculated as the greater of:
- The difference between the fastest and slowest of t_{PLHn} ($n = 1, 2, 3$)
 - The difference between the fastest and slowest of t_{PLHn} ($n = 4, 5, 6, 7$)
 - The difference between the fastest and slowest of t_{PLHn} ($n = 8, 9, 10$)
 - The difference between the fastest and slowest of t_{PHLn} ($n = 1, 2, 3$)
 - The difference between the fastest and slowest of t_{PHLn} ($n = 4, 5, 6, 7$)
 - The difference between the fastest and slowest of t_{PHLn} ($n = 8, 9, 10$)
- B. Process skew, $t_{sk(pr)}$, is calculated the same as output skew, $t_{sk(o)}$, across multiple CDC330 devices under identical operating conditions.

Figure 2. Waveforms for Calculation of $t_{sk(o)}$, $t_{sk(pr)}$

PACKAGING INFORMATION

Orderable Device	Status ⁽¹⁾	Package Type	Package Drawing	Pins	Package Qty	Eco Plan ⁽²⁾	Lead/Ball Finish	MSL Peak Temp ⁽³⁾
CDC330DW	OBSOLETE	SOIC	DW	24		TBD	Call TI	Call TI
CDC330DWR	OBSOLETE	SOIC	DW	24		TBD	Call TI	Call TI

⁽¹⁾ The marketing status values are defined as follows:

ACTIVE: Product device recommended for new designs.

LIFEBUY: TI has announced that the device will be discontinued, and a lifetime-buy period is in effect.

NRND: Not recommended for new designs. Device is in production to support existing customers, but TI does not recommend using this part in a new design.

PREVIEW: Device has been announced but is not in production. Samples may or may not be available.

OBSOLETE: TI has discontinued the production of the device.

⁽²⁾ Eco Plan - The planned eco-friendly classification: Pb-Free (RoHS) or Green (RoHS & no Sb/Br) - please check <http://www.ti.com/productcontent> for the latest availability information and additional product content details.

TBD: The Pb-Free/Green conversion plan has not been defined.

Pb-Free (RoHS): TI's terms "Lead-Free" or "Pb-Free" mean semiconductor products that are compatible with the current RoHS requirements for all 6 substances, including the requirement that lead not exceed 0.1% by weight in homogeneous materials. Where designed to be soldered at high temperatures, TI Pb-Free products are suitable for use in specified lead-free processes.

Green (RoHS & no Sb/Br): TI defines "Green" to mean Pb-Free (RoHS compatible), and free of Bromine (Br) and Antimony (Sb) based flame retardants (Br or Sb do not exceed 0.1% by weight in homogeneous material)

⁽³⁾ MSL, Peak Temp. -- The Moisture Sensitivity Level rating according to the JEDEC industry standard classifications, and peak solder temperature.

Important Information and Disclaimer:The information provided on this page represents TI's knowledge and belief as of the date that it is provided. TI bases its knowledge and belief on information provided by third parties, and makes no representation or warranty as to the accuracy of such information. Efforts are underway to better integrate information from third parties. TI has taken and continues to take reasonable steps to provide representative and accurate information but may not have conducted destructive testing or chemical analysis on incoming materials and chemicals. TI and TI suppliers consider certain information to be proprietary, and thus CAS numbers and other limited information may not be available for release.

In no event shall TI's liability arising out of such information exceed the total purchase price of the TI part(s) at issue in this document sold by TI to Customer on an annual basis.

IMPORTANT NOTICE

Texas Instruments Incorporated and its subsidiaries (TI) reserve the right to make corrections, modifications, enhancements, improvements, and other changes to its products and services at any time and to discontinue any product or service without notice. Customers should obtain the latest relevant information before placing orders and should verify that such information is current and complete. All products are sold subject to TI's terms and conditions of sale supplied at the time of order acknowledgment.

TI warrants performance of its hardware products to the specifications applicable at the time of sale in accordance with TI's standard warranty. Testing and other quality control techniques are used to the extent TI deems necessary to support this warranty. Except where mandated by government requirements, testing of all parameters of each product is not necessarily performed.

TI assumes no liability for applications assistance or customer product design. Customers are responsible for their products and applications using TI components. To minimize the risks associated with customer products and applications, customers should provide adequate design and operating safeguards.

TI does not warrant or represent that any license, either express or implied, is granted under any TI patent right, copyright, mask work right, or other TI intellectual property right relating to any combination, machine, or process in which TI products or services are used. Information published by TI regarding third-party products or services does not constitute a license from TI to use such products or services or a warranty or endorsement thereof. Use of such information may require a license from a third party under the patents or other intellectual property of the third party, or a license from TI under the patents or other intellectual property of TI.

Reproduction of information in TI data books or data sheets is permissible only if reproduction is without alteration and is accompanied by all associated warranties, conditions, limitations, and notices. Reproduction of this information with alteration is an unfair and deceptive business practice. TI is not responsible or liable for such altered documentation.

Resale of TI products or services with statements different from or beyond the parameters stated by TI for that product or service voids all express and any implied warranties for the associated TI product or service and is an unfair and deceptive business practice. TI is not responsible or liable for any such statements.

Following are URLs where you can obtain information on other Texas Instruments products and application solutions:

Products		Applications	
Amplifiers	amplifier.ti.com	Audio	www.ti.com/audio
Data Converters	dataconverter.ti.com	Automotive	www.ti.com/automotive
DSP	dsp.ti.com	Broadband	www.ti.com/broadband
Interface	interface.ti.com	Digital Control	www.ti.com/digitalcontrol
Logic	logic.ti.com	Military	www.ti.com/military
Power Mgmt	power.ti.com	Optical Networking	www.ti.com/opticalnetwork
Microcontrollers	microcontroller.ti.com	Security	www.ti.com/security
		Telephony	www.ti.com/telephony
		Video & Imaging	www.ti.com/video
		Wireless	www.ti.com/wireless

Mailing Address: Texas Instruments
Post Office Box 655303 Dallas, Texas 75265