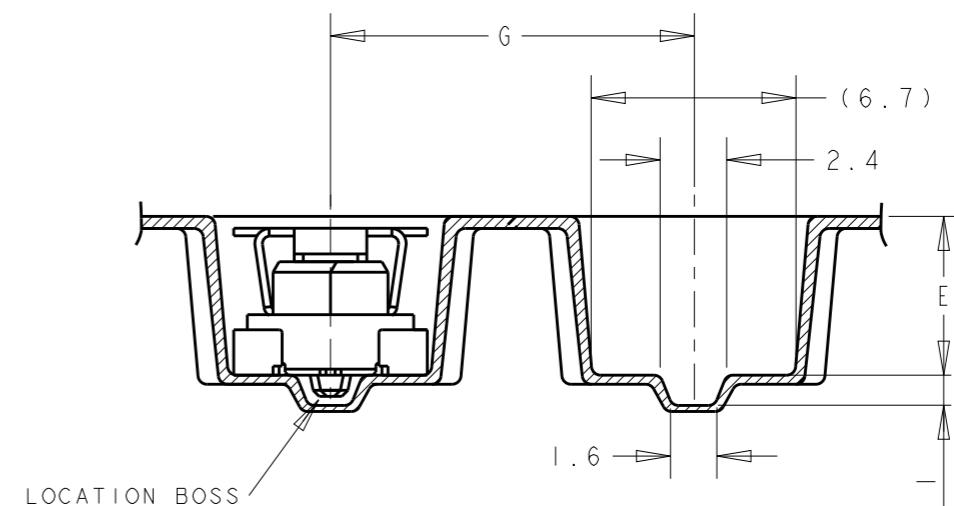
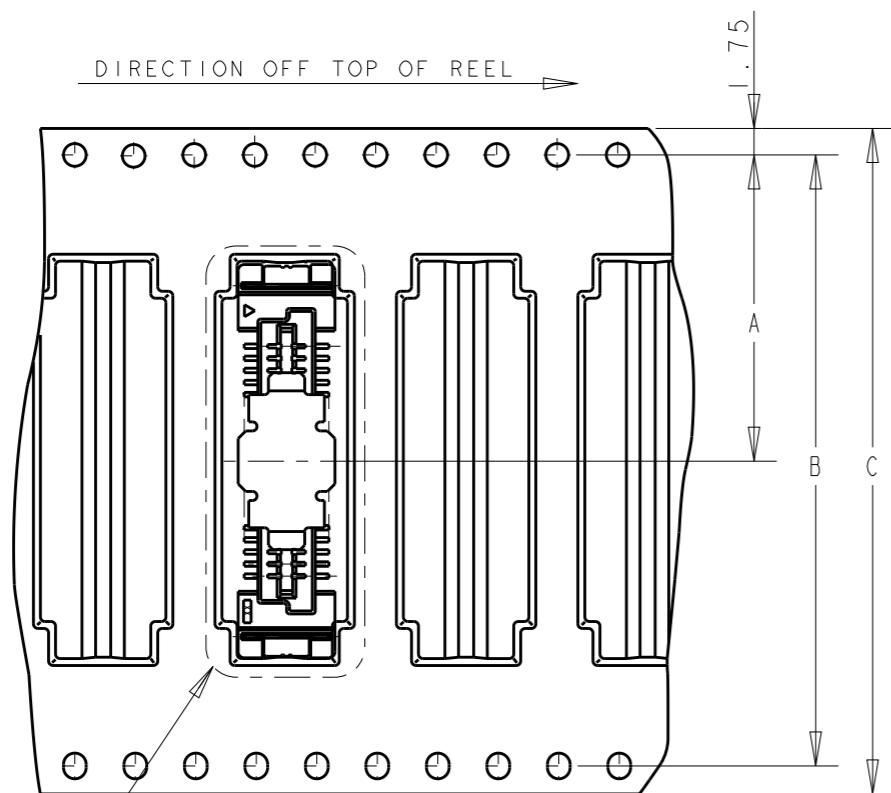


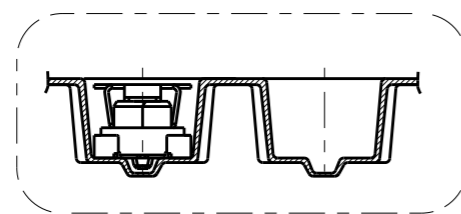
P	LTR	DESCRIPTION	DATE	DWN	APVD
A		REVISED PER ECO-17-018857	25DEC2017	R.L	H.L

DIRECTION OFF TOP OF REEL →

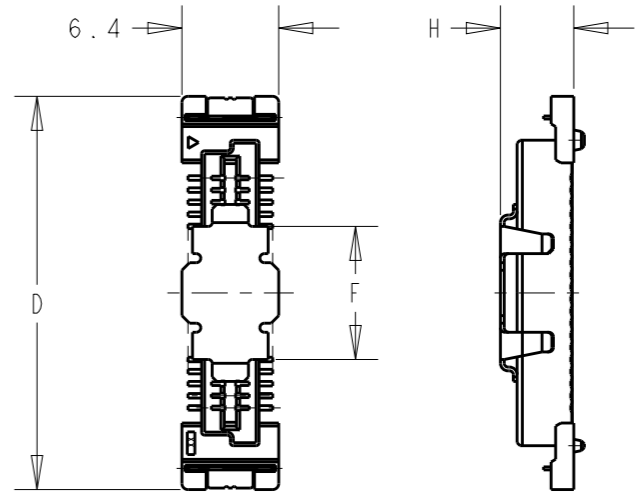


DETAIL A
(SCALE 4-1)

DETAIL B

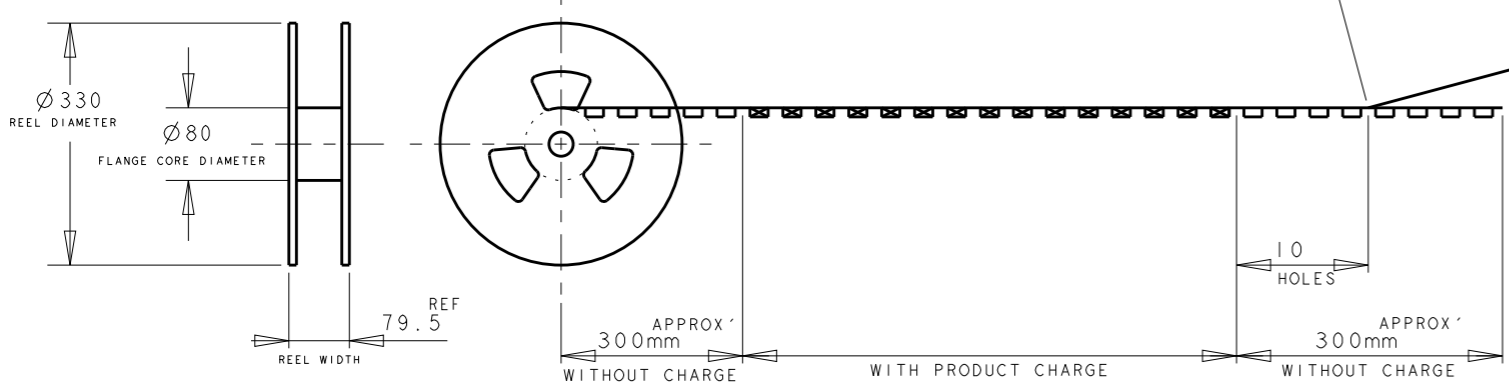


DETAIL A



DETAIL B

WEEDING THE COVER TAPE
AROUND THE OUTER
PERIPHERY IN
A TURN.



700	4	16	17	4.4	50	72	68.4	34.2	120	-5
4.85	12	8.8	5.25	42	56	52.4	26.2	80	-4	
4.85	12	8.8	5.25	26	44	40.4	20.2	60	-3	
900	4.85	12	8.8	5.25	26	44	40.4	20.2	40	-2
										5179160-1
QYT	H	G	F	E	D	C	B	A	POS	PART NO.

NOTE:

△ THIS ITEM IS PRELIMINARY.

2. THIS PRODUCT WAS COATED BY FLUX-PENETRATION
-INHIBITING AGENT.

Ⓐ ADD CONNECTOR INFORMATION SHEET

THIS DRAWING IS A CONTROLLED DOCUMENT FOR AMP INCORPORATED. IT IS SUBJECT TO CHANGE AND THE CONTROLLING ENGINEERING ORGANIZATION SHOULD BE CONTACTED FOR THE LATEST REVISION.

DWN WYLEE 01NOV2004
CHK VINCENT TAN
APVD ERIC ING
PRODUCT SPEC -
APPLICATION SPEC -
WEIGHT -

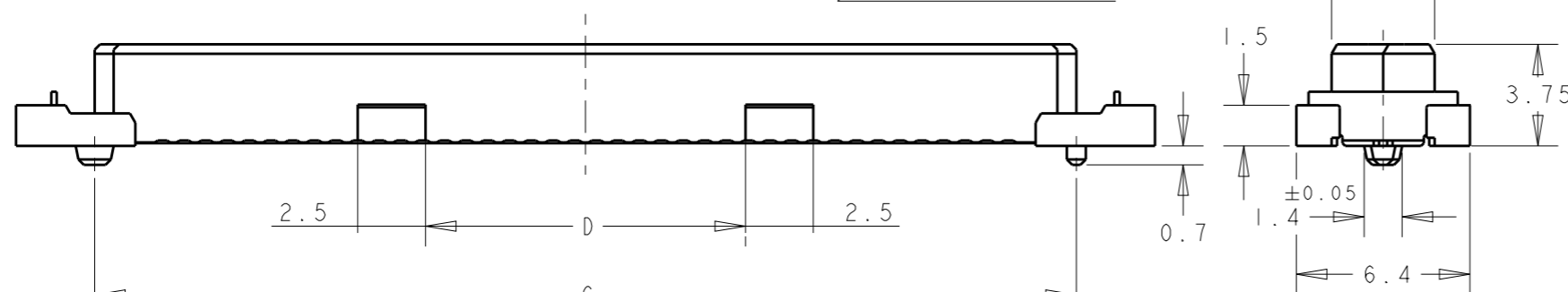
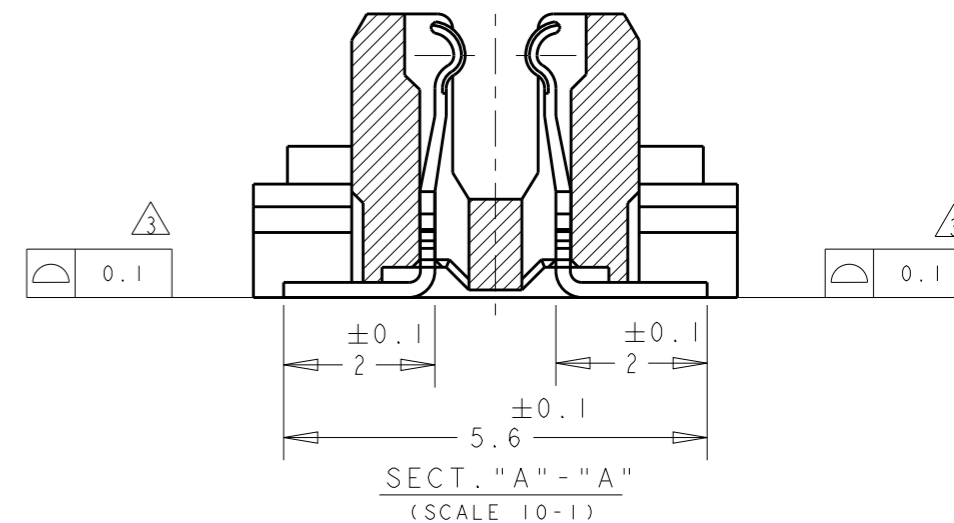
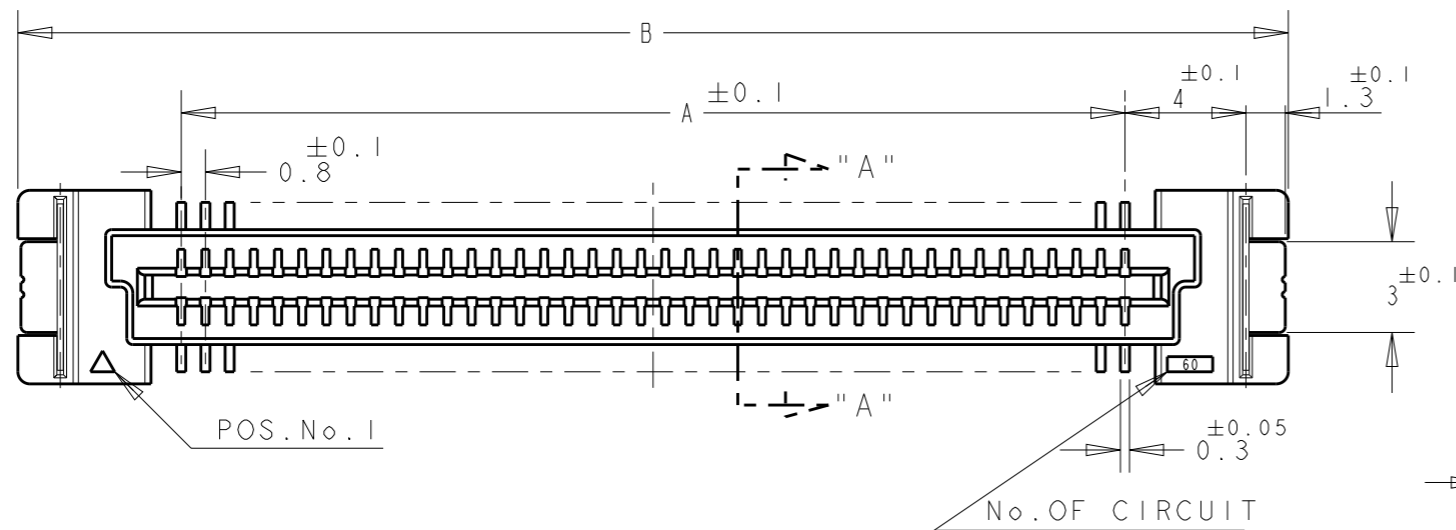
AMP Tyco Electronics
Singapore Pte. Ltd.

NAME REC ASS'Y WITH SOLDER PEG
FH 0.8mm B-T-B CONN.

SIZE A3 CAGE CODE 00779 DRAWING NO C=5179160

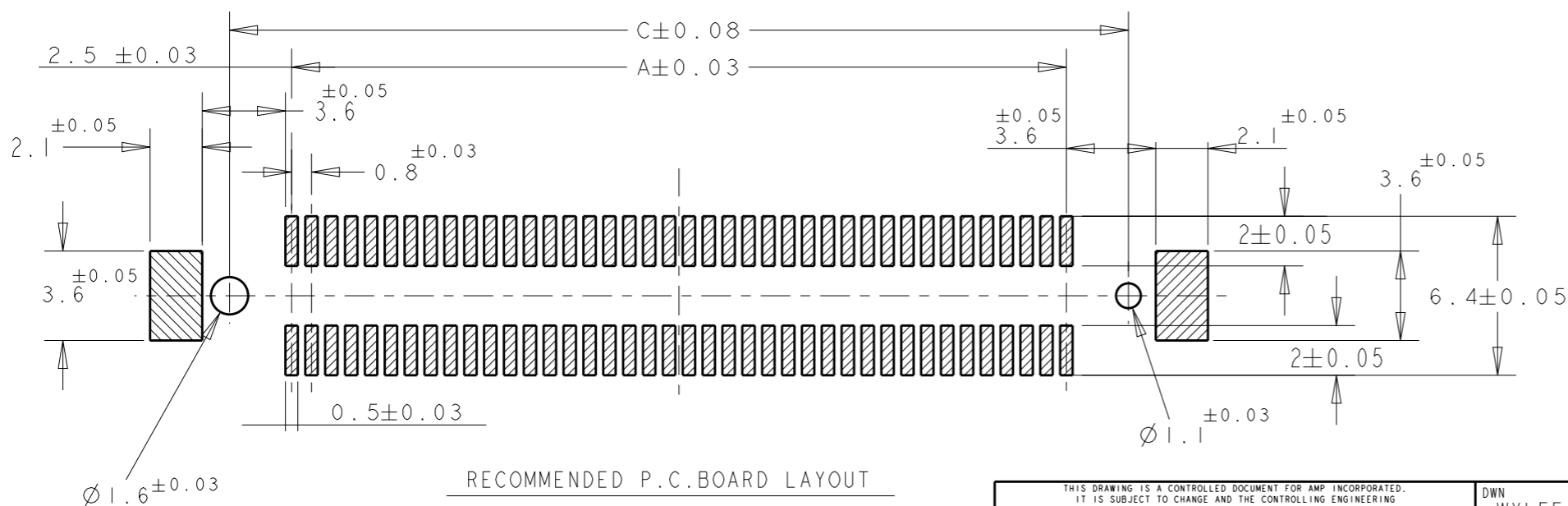
CUSTOMER DRAWING SCALE - SHEET 1 OF 2 REV A

LOC DY	DIST -	REVISIONS			
P	LTR	DESCRIPTION	DATE	DWN	APVD
		SEE SHEET 1			



NOTES:

- ① MATERIAL; HOUSING: L.C.P. (HIGH TEMP THERMO PLASTIC) UL 94V-0, NATURAL.
CONTACT : BERYLIUM COPPER.
SOLDER PEG: BRASS.
- ② FINISH: CONTACT AREA: 0.0002 MIN GOLD ON
0.0013 MIN ALL OVER NICKEL.
SOLDERING AREA: 0.001 MIN MATTE-TIN.
- ③ TINE AND MOUNT METAL HEIGHT SHALL BE 0.1 MAX.
- 4 PRODUCT SPEC: 108-5390



RECOMMENDED P.C. BOARD LAYOUT

12	52.2	58.0	47.2	120	-5
12	44.2	50.0	39.2	100	-4
5	36.2	42.0	31.2	80	-3
5	28.2	34.0	23.2	60	-2
5	20.2	26.0	15.2	40	5179160-1
D	C	B	A	POS.	P/N

THIS DRAWING IS A CONTROLLED DOCUMENT FOR AMP INCORPORATED. IT IS SUBJECT TO CHANGE AND THE CONTROLLING ENGINEERING ORGANIZATION SHOULD BE CONTACTED FOR THE LATEST REVISION.		DWN WYLEE 01NOV2004	AMP Tyco Electronics Singapore Pte. Ltd.
DIMENSIONS: mm		CHK VINCENT TAN	
TOLERANCES UNLESS OTHERWISE SPECIFIED: 0 PLC ±.3 1 PLC ±0.3 2 PLC ±0.25 3 PLC ±0.2 4 PLC ±.2 ANGLES ±3°		APVD ERIC ING	NAME REC ASS'Y WITH SOLDER PEG FH 0.8mm B-T-B CONN.
MATERIAL -		PRODUCT SPEC -	SIZE A3
FINISH -		APPLICATION SPEC -	CAGE CODE 00779
		WEIGHT -	DRAWING NO G=5179160
		CUSTOMER DRAWING	SCALE - SHEET 2 OF 2 REV A