

Flat suction cup (round)

PFYN 3.5 NBR-55 M3-AG

Part no...:10.01.01.00277

<https://www.schmalz.com/10.01.01.00277>

Home > Vacuum Technology for Automation > Vacuum Components > Vacuum Suction Cups > Flat Suction Cups (Round) > Flat Suction Cups PFYN > PFYN 3.5 NBR-55 M3-AG

Flat suction cup (round) for smooth or slightly rough surfaces



Size: 3.5

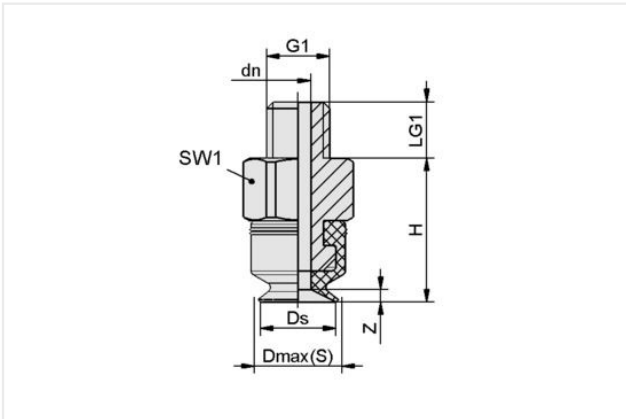
Suction cup material: Nitrile rubber NBR

Material hardness [Shore A]: 55 Shore A

Nipple material: Aluminum

Vacuum connection: M3-M

Design Data



Attribute	Value
dn	1 mm
Dmax(S)	4 mm
Ds	3.50 mm
G1	M3-M
H	6 mm
LG1	3 mm
SW1	5 mm
Z (Stroke)	0.50 mm

Note: Acceptable dimensional tolerances for elastomer parts concerning to DIN ISO 3302-1 M3

Technical Data

Attribute	Value
Suction force (-600mbar)	0.42 N
Volume	0.00 cm ³
Curve radius (min) (convex)	7.50 mm
Hose diameter (empf.) d	2 mm
Size	3.50
Suction cup material	Nitrile rubber NBR
Material hardness [Shore A]	55 Shore A

Contact Schmalz

Schmalz Inc. | 5850 Oak Forest Drive, Raleigh, NC 27616, United States | +1 (919) 713-0880 | schmalz.us@schmalz.com

Flat suction cup (round)

PFYN 3.5 NBR-55 M3-AG

Part no...:10.01.01.00277

<https://www.schmalz.com/10.01.01.00277>

Weight	1 g
Product family	PFYN

Note: Suction force: The specified suction forces are theoretical values at a vacuum of -0.6 bar and with a dry, smooth and flat workpiece surface - they do not include a safety factor
 Hose diameter: The recommended hose diameter refers to a hose length of approx. 2 m

Spare parts



SA-NIP N003 M3-AG DN100

Part no...:10.01.01.00316

Thread G1: M3-M

Length L1: 7.5 mm

Fitting length: 2 mm

Material: Aluminum



PFG 3.5 NBR-55 N003

Part no...:10.01.01.00004

Size: 3.5

Suction cup material: Nitrile rubber NBR

Material hardness [Shore A]: 55 Shore A