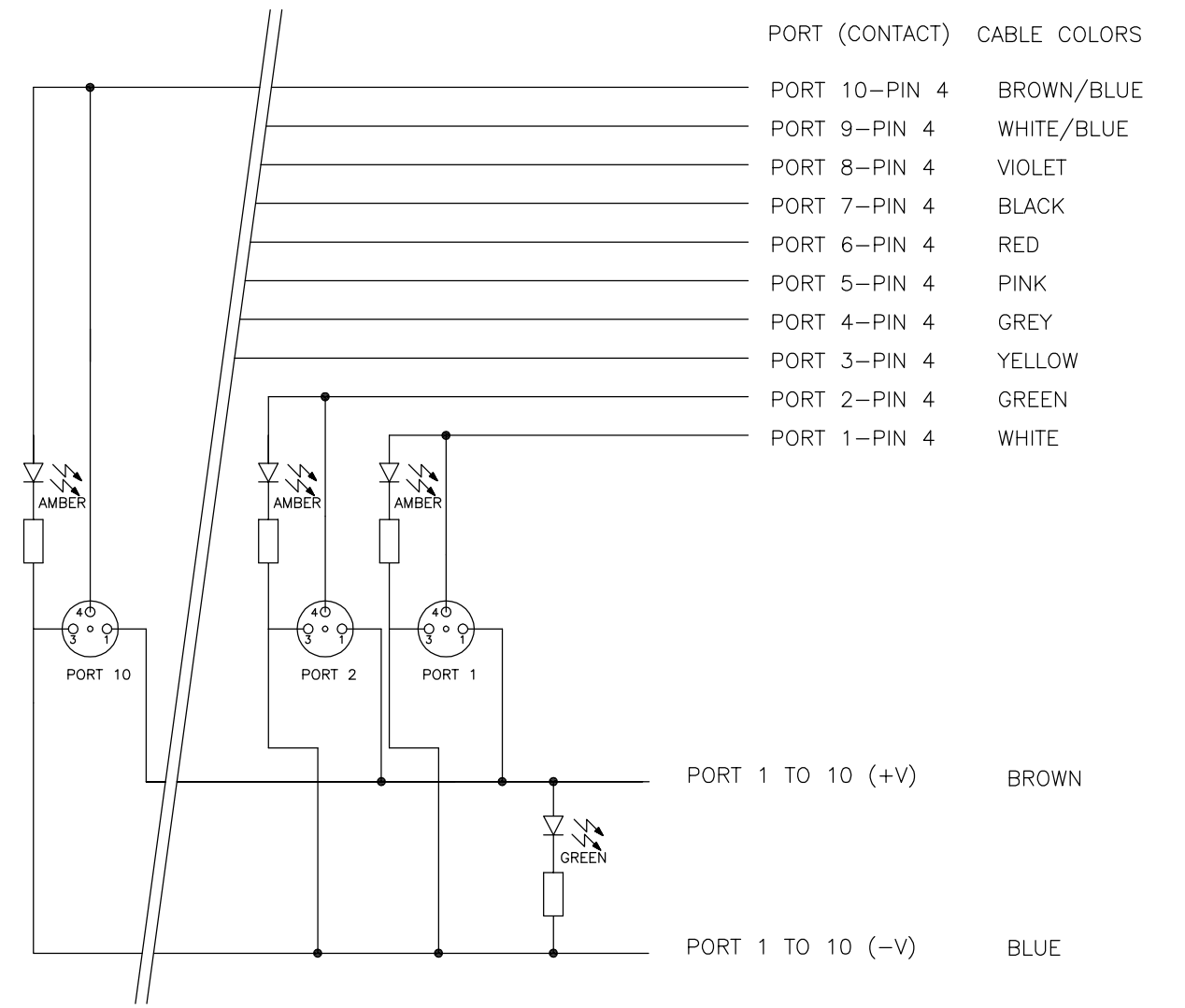
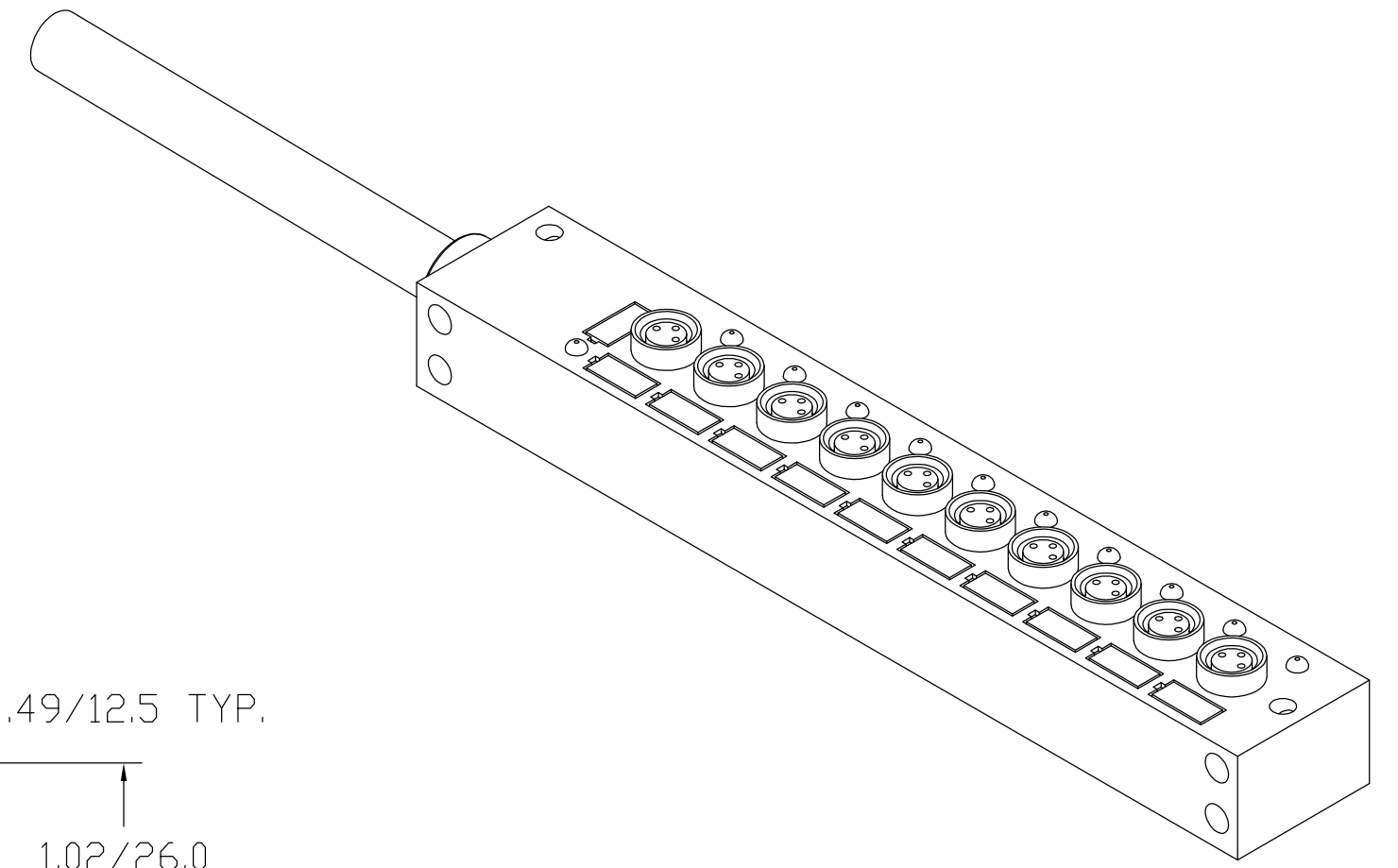
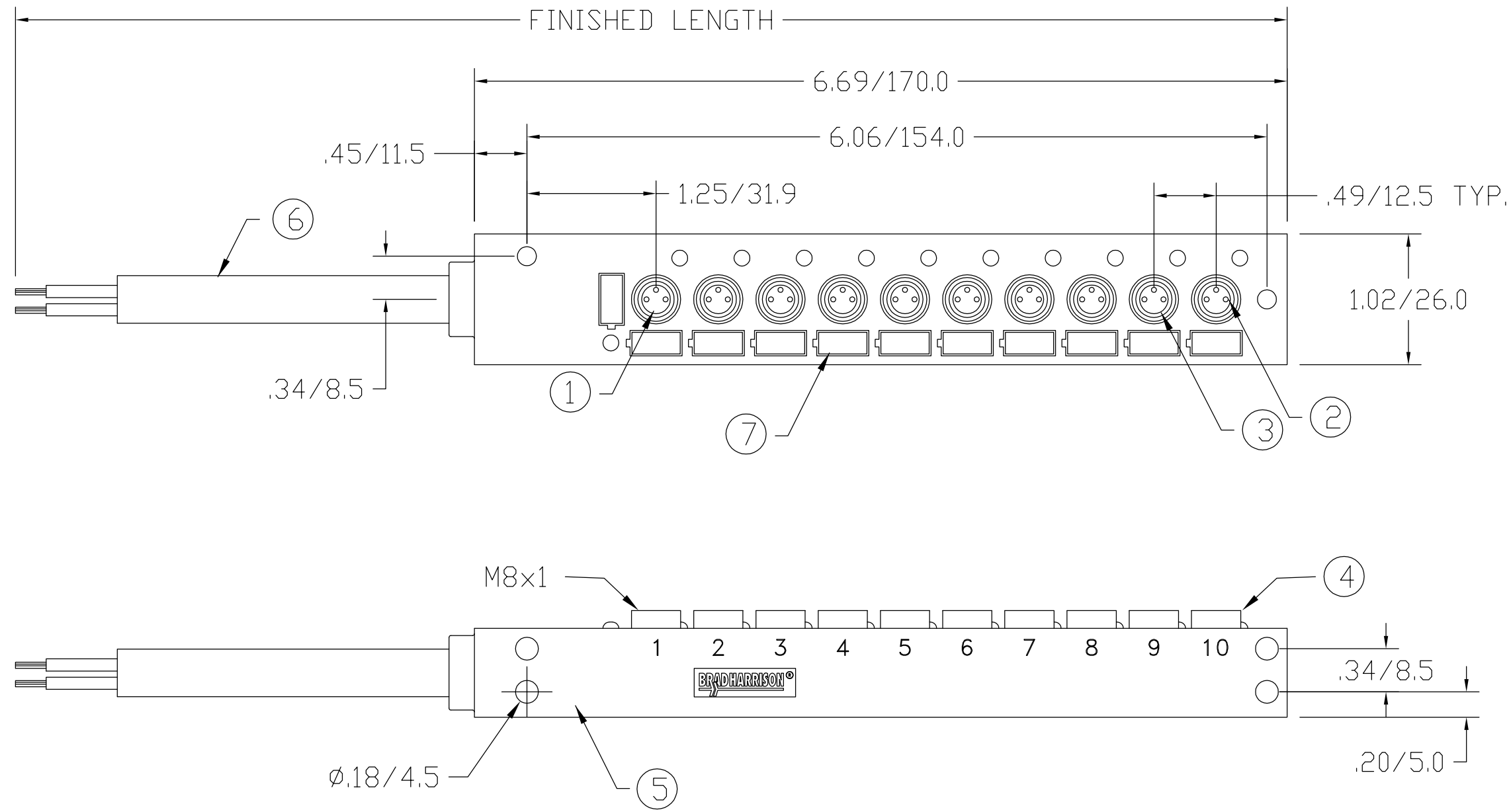


13	12	11	10	9	8	7	6	5	4	3	2	1
MATERIAL NUMBER	OLD PART NUMBER	FINISHED LENGTH										
120113-0002	BEYA01P-FBP-05	16.40' +6.50" -0 [5.0M +165.1 -0]										



WIRING DIAGRAM

VOLTAGE RATING	10-30 VDC
AMPERAGE RATING PER PORT	2 AMPS
PROTECTION	IP67
OPERATING TEMPERATURE	-20°C TO 90°C

ITEM	COMPONENT	MATERIAL	FINISH
1	INSERT	POLYESTER	YELLOW
2	CONTACT SOCKET	COPPER ALLOY	GOLD OVER NICKEL
3	O-RING	VITON	RED
4	RECEPTACLE SHELL	BRASS	NICKEL PLATED
5	HOUSING	NYLON	YELLOW
6	CABLE- 18AWG, 2 CONDUCTOR; 22 AWG, 10 CONDUCTOR, 300V	PVC	YELLOW
7	LABEL	ABS	WHITE

RELEASE DRAWING EC NO: WEU2010-0058 DRWN: LHARTMAN 8/19/09 CH'KD: BWOODMAN2009/08/21 APPR: JFMURPHY 2009/08/21	DESCRIPTION REV	QUALITY SYMBOL ▽=0 ◻=0	GENERAL TOLERANCES (UNLESS SPECIFIED) 4 PLACES ±---- 3 PLACES ±---- 2 PLACES ±---- ±.01 1 PLACE ±0.3 ±---- ANGULAR ±----°	DIMENSION STYLE IN/MM	DRAWN BY DATE LHARTMAN 2009/08/21 CHECKED BY DATE BWOODMAN 2009/08/21 APPROVED BY DATE	SCALE NTS	DESIGN UNITS METRIC	THIRD ANGLE PROJECTION
		DRAFT WHERE APPLICABLE MUST REMAIN WITHIN DIMENSIONS	MATERIAL NO. SEE CHART	TITLE NANO-CHANGE MPIS 10 PORT PNP SIDE ENTRY 5 METER PUR CABLE	MOLEX INCORPORATED			
		SIZE C	DOCUMENT NO. SD-120113-004	SHEET NO. 1 OF 1	THIS DRAWING CONTAINS INFORMATION THAT IS PROPRIETARY TO MOLEX INCORPORATED AND SHOULD NOT BE USED WITHOUT WRITTEN PERMISSION			