

Sensor/Actuator cable - SAC-3P-10,0-PUR/BI-1L-S-F - 1696206

Please be informed that the data shown in this PDF Document is generated from our Online Catalog. Please find the complete data in the user's documentation. Our General Terms of Use for Downloads are valid (<http://download.phoenixcontact.com>)



Sensor/Actuator cable, 3-position, PUR/PVC, Free cable end, on Valve connector BI (11 mm), with 1 LED, connected with Z diode, Cable length: 10 m

Product Features

- ✓ Easy and safe: 100% electrically tested plug-in components
- ✓ Robust valve connector with Zener diode as protective circuit
- ✓ Convenient: increased machine availability thanks to quick and easy diagnostics
- ✓ Compact: flat design for applications where space is at a premium



Key commercial data

Packing unit	1 1
Weight per Piece (excluding packing)	572.3 GRM
Custom tariff number	85444290
Country of origin	Germany

Technical data

Dimensions

Length of cable	10 m
Stripping length of the free conductor end	50 mm

Ambient conditions

Ambient temperature (operation)	-20 °C ... 80 °C (valve plug)
Degree of protection	IP65
	IP67
	IP68

General

Rated current at 40°C	3 A
Rated voltage	24 V

Sensor/Actuator cable - SAC-3P-10,0-PUR/BI-1L-S-F - 1696206

Technical data

General

Number of positions	3
Contact resistance	≤ 15 mΩ
Insulation resistance	≥ 100 MΩ
Status display	1 LED
Protective circuit/component	Z diode
Surge voltage category	II
Pollution degree	3

Material

Inflammability class according to UL 94	V0
Valve plug contact material	CuSn
Valve plug contact surface material	Ag
Valve plug contact insert material	PBT
Material housing valve plug	PBT
Sealing material	TPU (Flat gasket valve plug)

Cable

Cable type	PUR/PVC gray
Cable type (abbreviation)	100
Cable abbreviation	LiYY11Y-JZ
Conductor cross section	0.75 mm ²
AWG signal line	18
Conductor structure signal line	24x 0.20 mm
Core diameter including insulation	approx. 1.8 mm
Thickness, insulation	approx. 0.34 mm (Core insulation)
	approx. 0.35 mm (Outer cable sheath)
	approx. 0.3 mm (Inner sheath)
Wire colors	black 1, black 2, green/yellow
Overall twist	3 concentrically twisted wires
Length of twist, overall twist	83 mm
External cable diameter	5.20 mm
Smallest bending radius, movable installation	62 mm
Outer sheath, material	PUR
Material, inner sheath	PVC
Material conductor insulation	PVC
Conductor material	Bare Cu litz wires
Insulation resistance	≥ 1 MΩ*km
Nominal voltage, cable	240 V

Sensor/Actuator cable - SAC-3P-10,0-PUR/BI-1L-S-F - 1696206

Technical data

Cable

Test voltage, cable	2000 V
Ambient temperature (operation)	-30 °C ... 80 °C (cable, fixed installation)
	-5 °C ... 70 °C (cable, flexible installation)

Classifications

eCl@ss

eCl@ss 4.0	27060306
eCl@ss 4.1	27060306
eCl@ss 5.0	27061801
eCl@ss 5.1	27061801
eCl@ss 6.0	27061801
eCl@ss 7.0	27061801
eCl@ss 8.0	27061801

ETIM

ETIM 2.0	EC000830
ETIM 3.0	EC001855
ETIM 4.0	EC001855
ETIM 5.0	EC001855

UNSPSC

UNSPSC 6.01	31251501
UNSPSC 7.0901	31251501
UNSPSC 11	31251501
UNSPSC 12.01	31251501
UNSPSC 13.2	31251501

Approvals

Approvals

Approvals

GOST

Ex Approvals

Sensor/Actuator cable - SAC-3P-10,0-PUR/BI-1L-S-F - 1696206

Approvals

Approvals submitted

Approval details



Accessories

Accessories

Conductor marking

Insert label - PABA WH/15 - 1013151



Insert label, Strip, white, Unlabeled, Can be labeled with: Plotter, Mounting type: Thread on, Cable diameter: 0.6-50 mm, Lettering field: 15 x 4 mm

Insert label - PABA YE/15 - 1013698



Insert label, Strip, yellow, Unlabeled, Can be labeled with: Plotter, Mounting type: Thread on, Cable diameter: 0.6-50 mm, Lettering field: 15 x 4 mm

Insert label - PABA RD/15 - 1013944



Insert label, Strip, red, Unlabeled, Can be labeled with: Plotter, Mounting type: Thread on, Cable diameter: 0.6-50 mm, Lettering field: 15 x 4 mm

Cutting tools

Sensor/Actuator cable - SAC-3P-10,0-PUR/BI-1L-S-F - 1696206

Accessories

Cable-cutting tool - CUTFOX-S VDE - 1212207



Diagonal cutter for copper and aluminum conductors, VDE-tested

Marker carrier cable

Conductor marker carrier - PATG 2/15 - 1013038



Conductor marker carrier, transparent, Unlabeled, Mounting type: Slide on, Cable diameter: 2-4 mm, Lettering field: 4 x 15 mm

Conductor marker carrier - PATG 3/15 - 1013041



Conductor marker carrier, transparent, Unlabeled, Mounting type: Slide on, Cable diameter: 4-7 mm, Lettering field: 4 x 15 mm

Conductor marker carrier - PATG 4/15 - 1013054



Conductor marker carrier, transparent, Unlabeled, Mounting type: Slide on, Cable diameter: 6-10 mm, Lettering field: 4 x 15 mm

Marker pen

Marker pen - B-STIFT - 1051993



Marker pen, for manual labeling of unprinted Zack strips, smear-proof and waterproof, line thickness 0.5 mm

Sensor/Actuator cable - SAC-3P-10,0-PUR/BI-1L-S-F - 1696206

Accessories

Stripping tool

Stripping tool - WIREFOX SAC - 1212623



Stripping pliers, for halogen-free sensor/actuator cables (SAC cables), with PUR and PVC insulation, from Ø of 4.4 to 7 mm, any stripping length

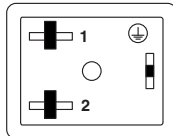
Stripping tool - WIREFOX 10 - 1212150



Stripping tool, for cables and conductors from 0.02 - 10 mm², self-adjusting, stripping length of up to 18 mm, cutting capacity of up to 10 mm² stranded/1.5 mm² solid, replaceable stripping blade

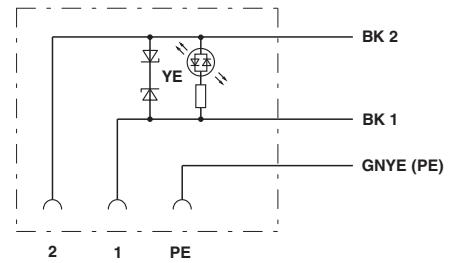
Drawings

Schematic diagram



Valve connector pin assignment, type BI

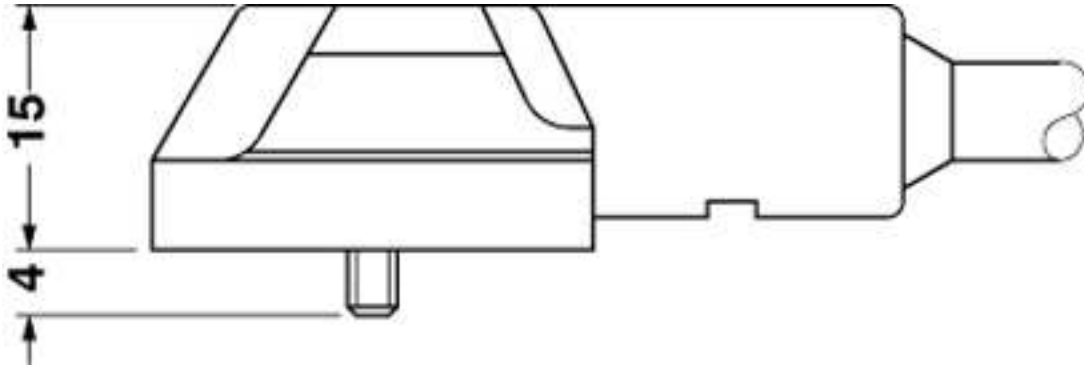
Circuit diagram



Contact assignment of the valve plug

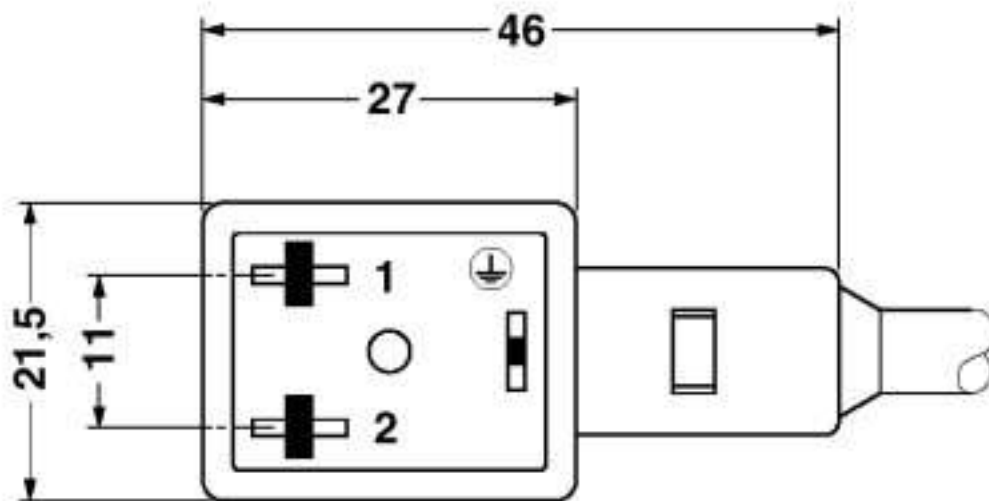
Sensor/Actuator cable - SAC-3P-10,0-PUR/BI-1L-S-F - 1696206

Dimensioned drawing



Valve connector, type BI, flat

Dimensioned drawing



Valve connector, type BI, flat