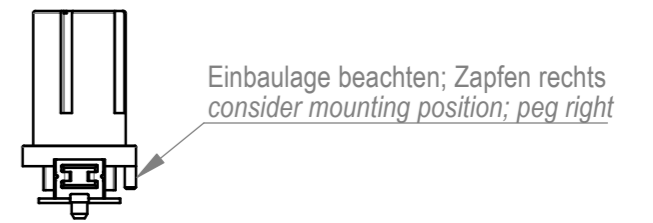
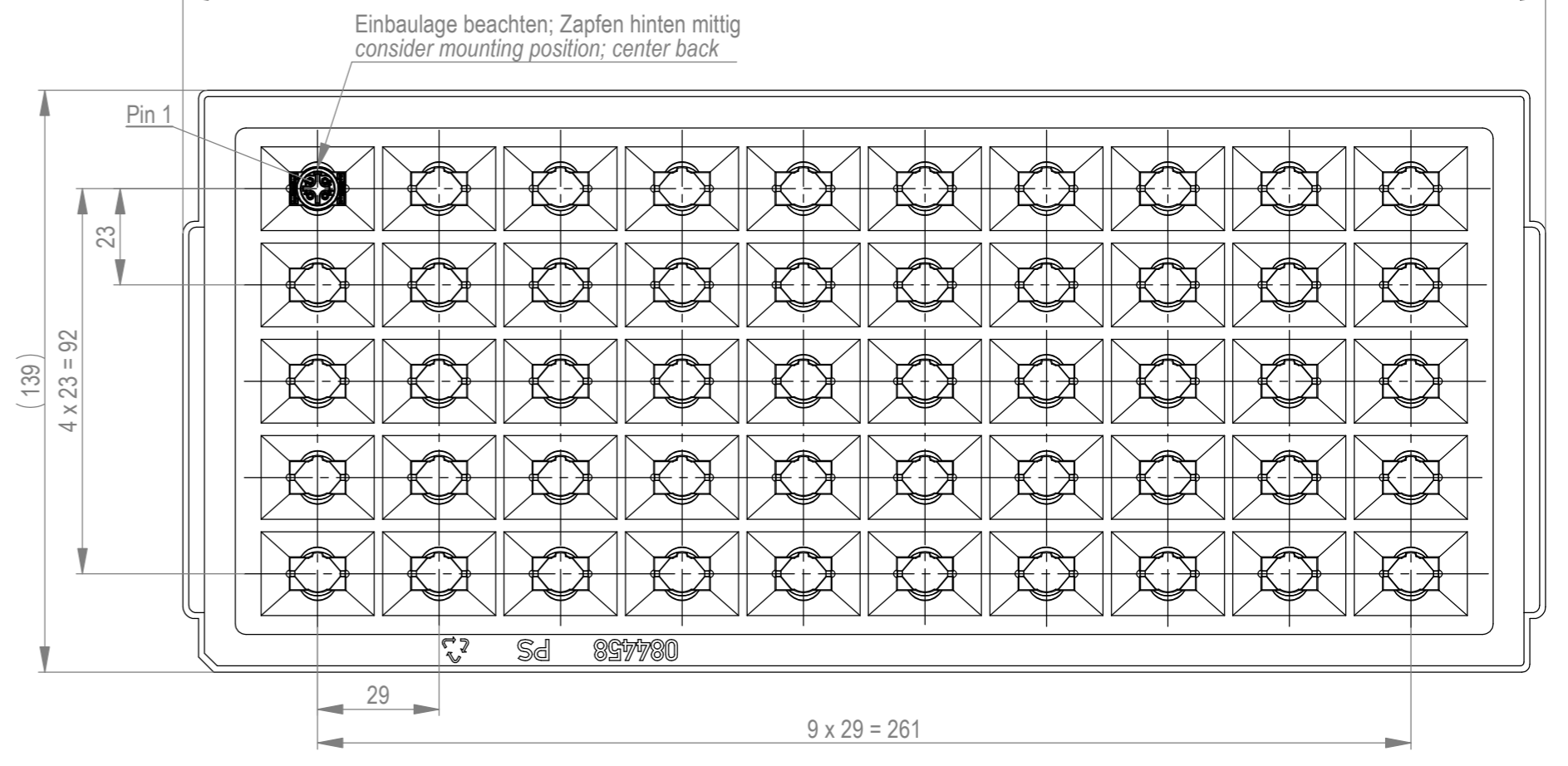
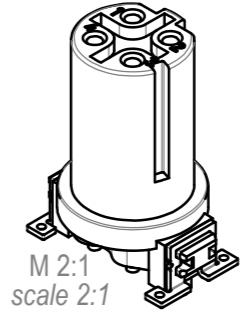
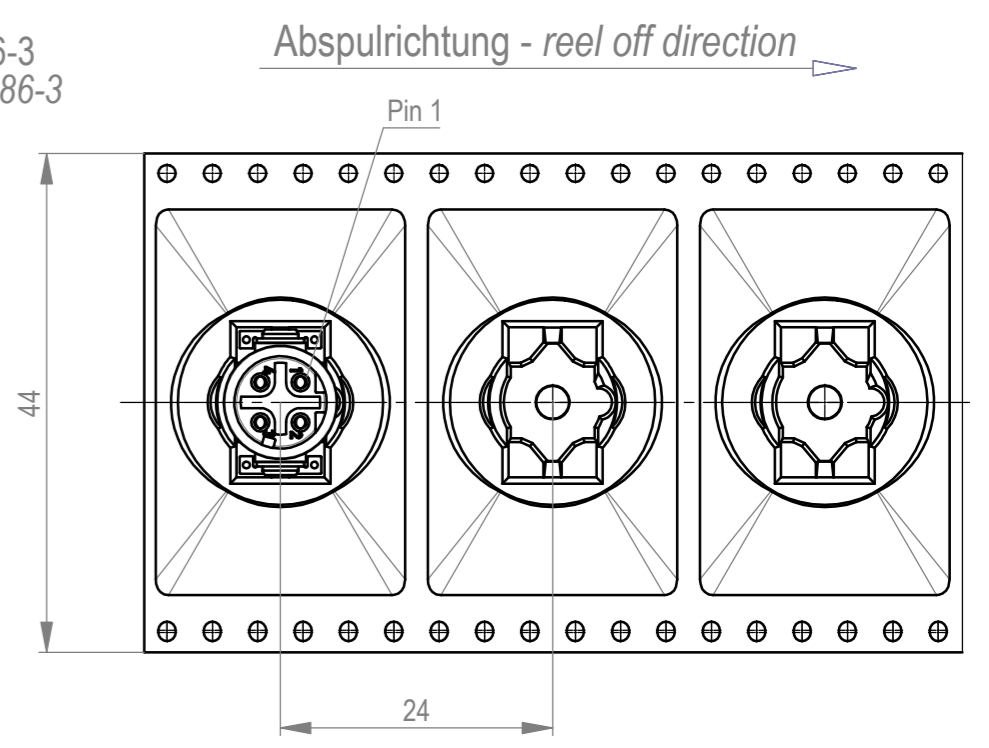
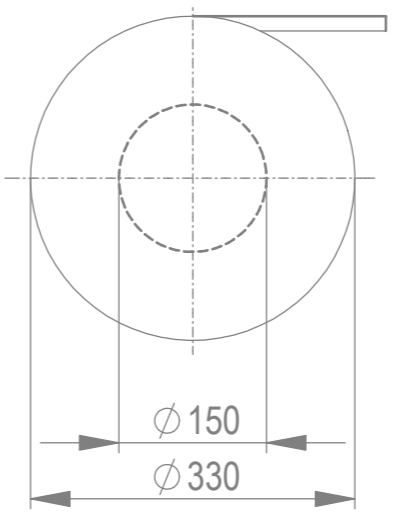


⑥ Verpackt im Tray: Verpackungseinheit 50 St.
tray packaging: packaging unit 50 pcs
(325)



Verpackt im Gurt in Anlehnung an DIN IEC 60286-3
tape on reel packaging according to DIN IEC 60286-3
Verpackungseinheit: 100 Stück
packaging unit: 100 pcs



474665	Gurtverpackung mit Pad tape on reel packaging with pad
364175	Gurtverpackung tape on reel packaging
454466	Trayverpackung tray packaging
Ident-Nr. part-no.	Bemerkung remark

Zeichnung Spezifikation siehe ERNI Dokument 5.3.17
Drawing Specification according to ERNI Document 5.3.17

Koplanarität aller Clips ≤ 0,1mm
coplanarity of all clips ≤ 0,1 mm

Dimension no.	Tolerances	Scale	5:1
Customer drawing:	ISO 8015	Material	
All rights reserved. Only for information. To ensure that this is the latest version of this drawing, please contact one of the ERNI companies before using.	All Dimensions in mm	Subject to modification without prior notice. Drawing will not be updated.	
j	17.02.2020	ERNI International AG Zürichstrasse 72 8306 Brüttisellen - Zürich Switzerland	
Index	Date	M12 Circular Connectors Female Connector D Cod 4p 17mm SMT V 364176	
		Class	M12

Weder die deutsche Version dieser Zeichnung noch die englische Originalversion sind verbindlich. Bei Änderungen von dem englischen Original gilt das englische Original. Any deviations from the original drawing have been offered for convenience only and any deviations from the original drawing have been offered for convenience only. In case of any deviation the English version shall prevail.

1 2 3 4 5 6 7 8 9 10 11 12

A B C D E F G H