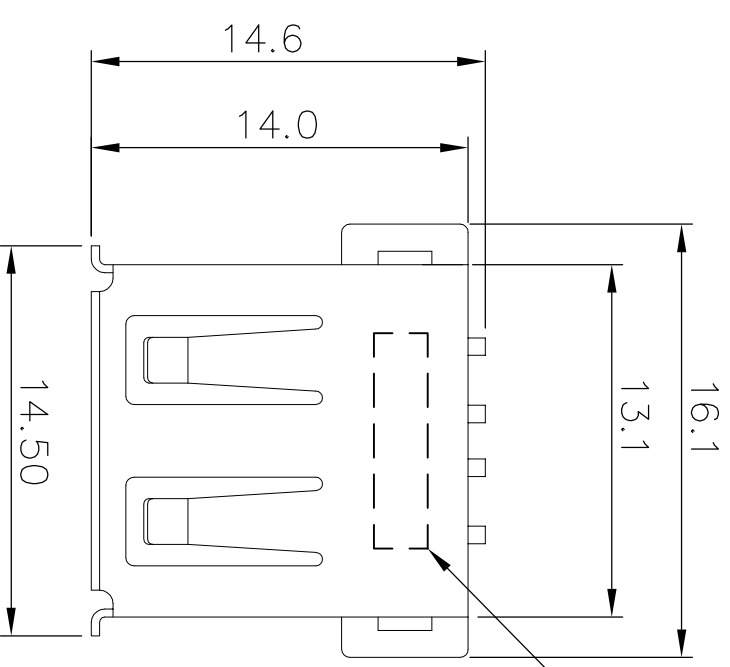
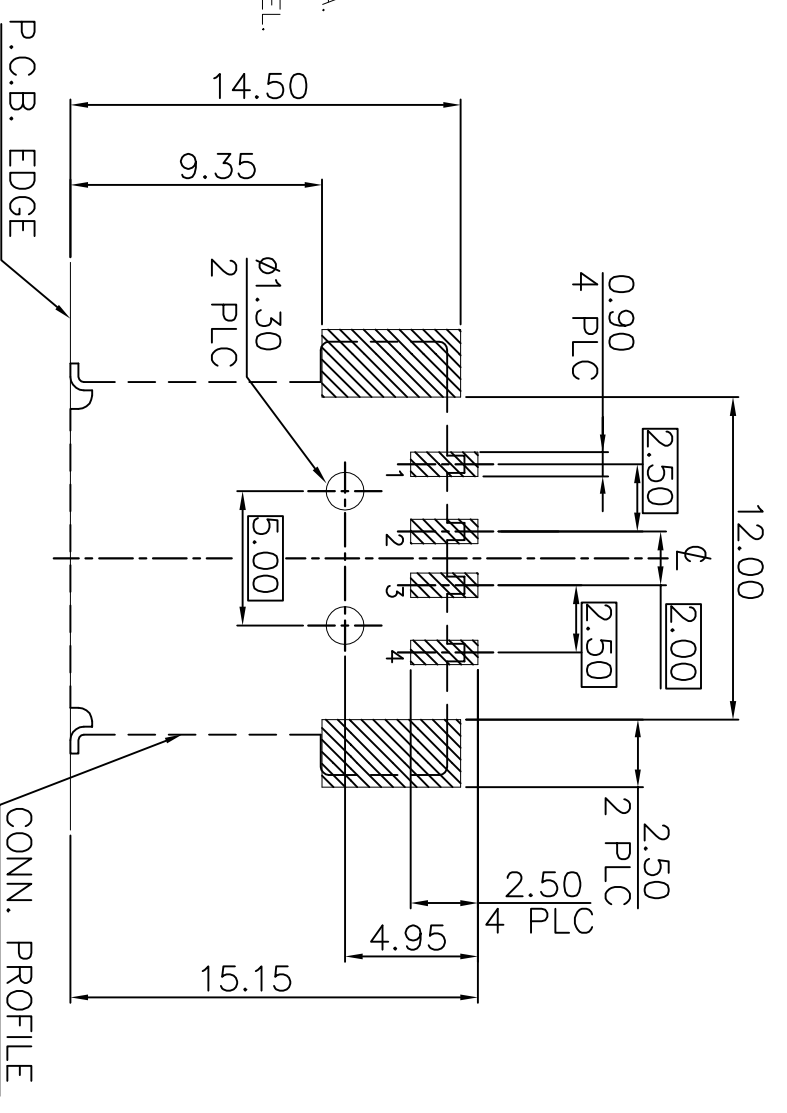


Loc	DW	DIST	
P	LTR	DESCRIPTION	DATE
B4		REVISED. (ECR-15-011655)	17AUG15
			DWN
			APVD
			S.C. H.L.

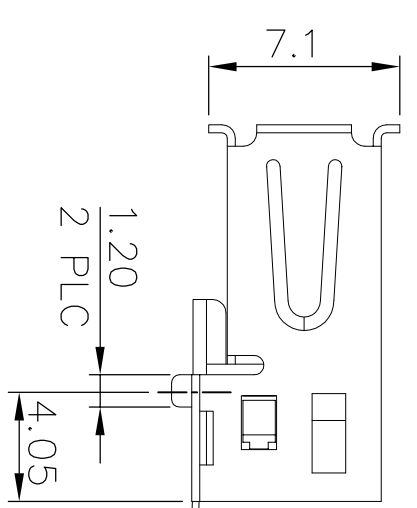
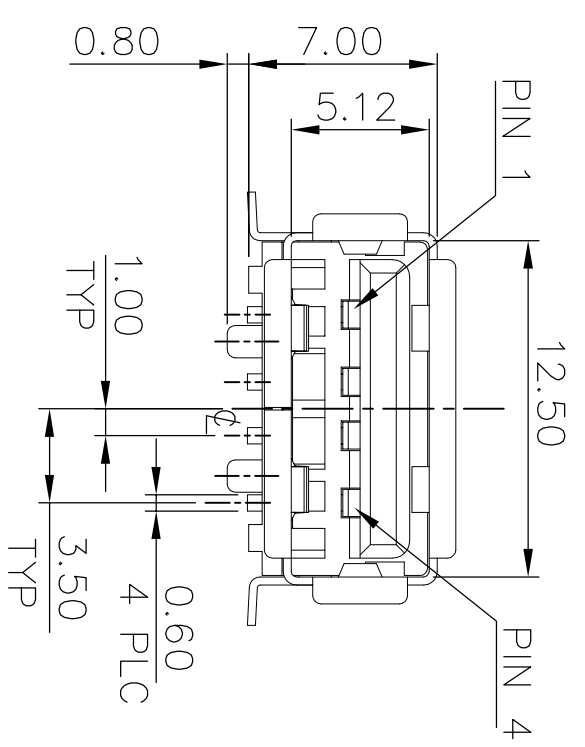


LOGO &
DATE CODE

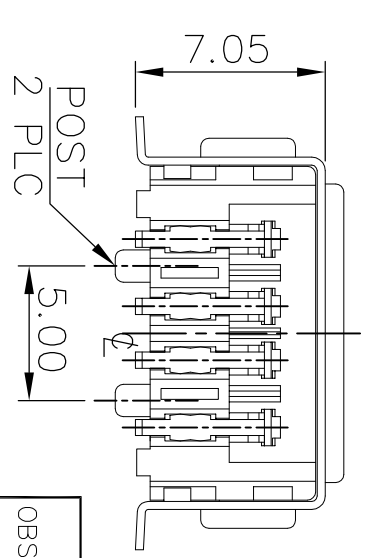
- NOTES:
1. MATERIAL: HOUSING: THERMOPLASTIC WITH 30% GF, UL 94V-0, COLOR: (SEE TABLE), CONTACTS: PHOSPHOR BRONZE, THICKNESS=0.25mm., SHIELD: BRASS, THICKNESS=0.30mm.
 2. FINISH: CONTACT: 0.762µm [30µ"] MIN. GOLD PLATED ON CONTACT AREA. 3.048µm [120µ"] MIN. BRIGHT-TIN ON SOLDER TAIL, WITH ENTIRE CONTACT UNDERPLATED 1.27µm [50µ"] MIN. NICKEL. SHIELD: 0.762µm [30µ"] MIN. NICKEL OVER 0.762µm [30µ"] MIN. REFLOW SOLDER CAPABLE TO 260°C PER TE TEST SPEC. 109-201, CONDITION B.



RECOMMENDED P.C.B. LAYOUT (THICKNESS=1.6mm)
(TOP VIEW) TOLERANCES: ±0.05



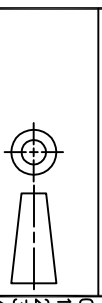
ALL CONTACTS AND PEGS
0.10



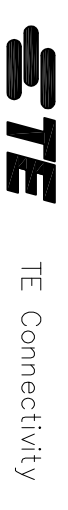
OBSOLETE	W/	BLACK	1-1734082-2
OBSOLETE	W/	WHITE	1-1734082-1
OBSOLETE	W/O	BLACK	1734082-2
		WHITE	1734082-1
	POST	COLOR	PART NUMBER

THIS DRAWING IS A CONTROLLED DOCUMENT.

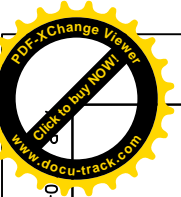
DIMENSIONS: MM	TOLERANCES UNLESS OTHERWISE SPECIFIED:
0 PLC	± -
1 PLC	± 0.35
2 PLC	± 0.25
3 PLC	± 0.15
4 PLC	± -
ANGLES	± 3°

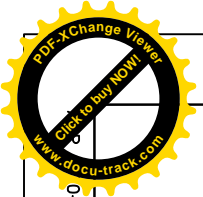
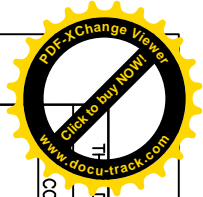


DMN	200C12005	NAME	USB CON, RCPT, ASS'Y, R/A SMT, A TYPE
CHK	S. HSU	APVD	W. J. KE
	200C12005	PRODUCT SPEC	108-57505
		APPLICATION SPEC	501-57579
		WEIGHT	1.82 GRAMS
		CUSTOMER DRAWING	

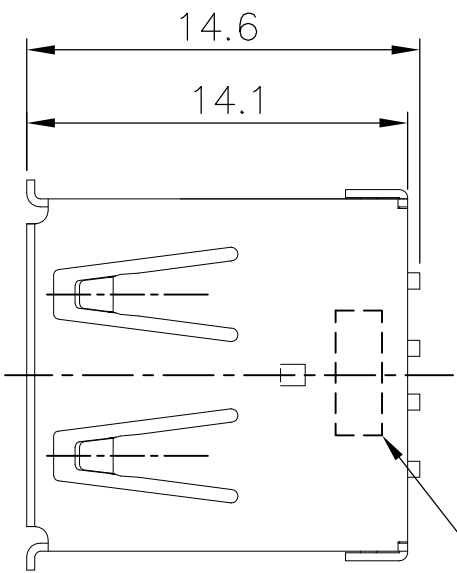


SIZE	A3	CAGE CODE	00779	DRAWING NO	1734082	RESTRICTED TO	
SCALE		SHEET	1	OF	4	REV	B4

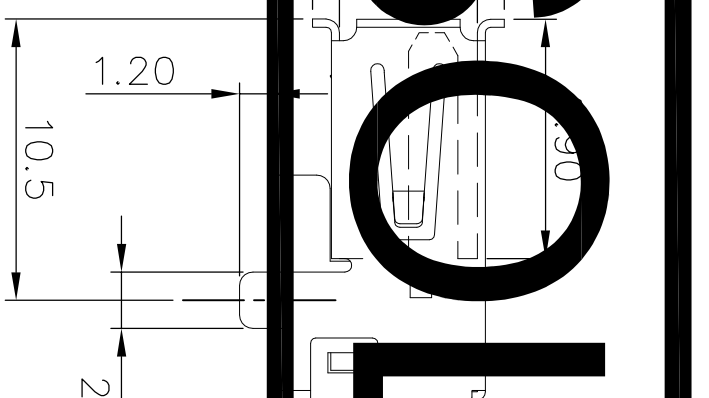
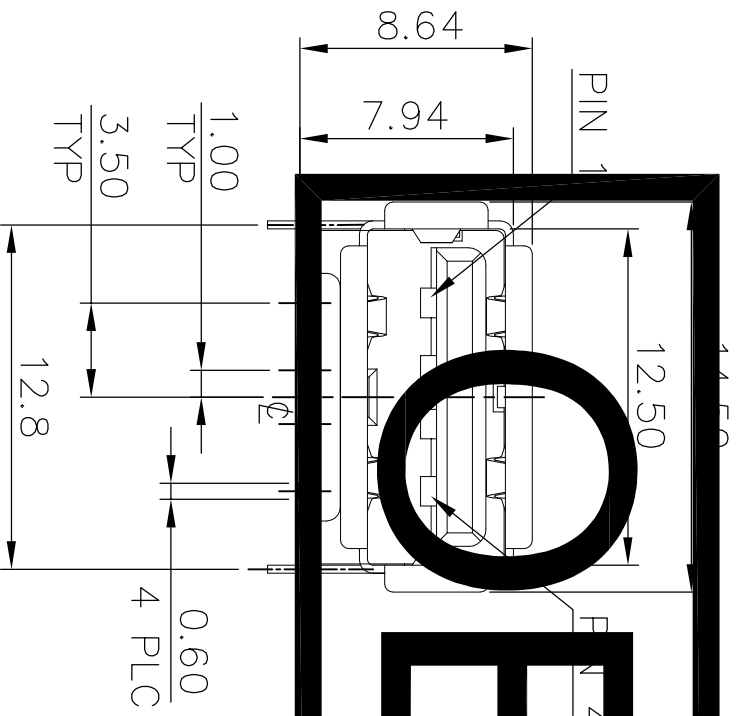




LOGO &
DATE CODE

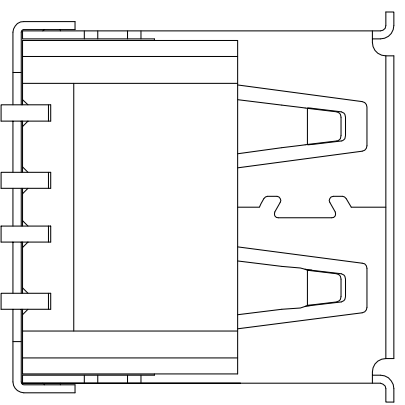
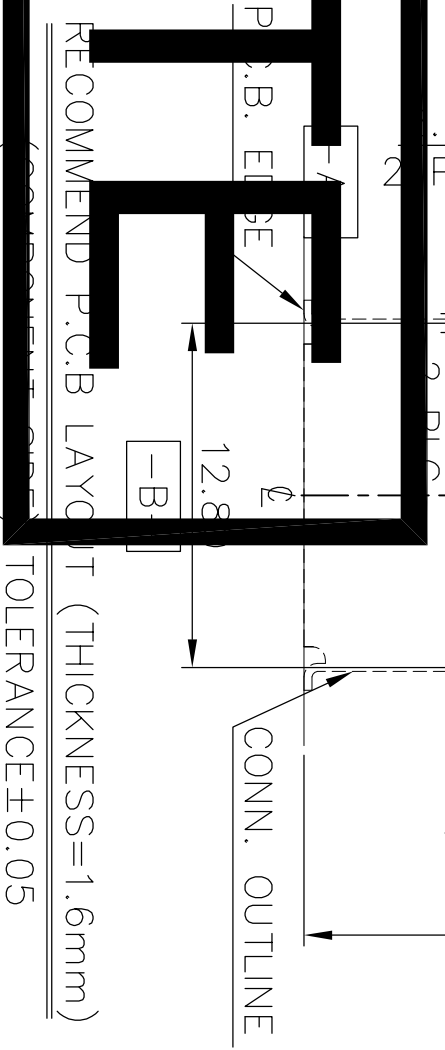


- NOTES:
- MATERIAL:
HOUSING: THERMOPLASTIC WITH 30% GF, UL 94V-0, COLOR: BLACK.
CONTACTS: PHOSPHOR BRONZE, THICKNESS=0.25mm.
SHIELD: BRASS, THICKNESS=0.30mm.
 - FINISH:
CONTACT: 0.762μm [30μ"] MIN. GOLD PLATED ON CONTACT AREA.
3.048μm [120μ"] MIN. BRIGHT-TIN ON SOLDER TAIL, WITH ENTIRE CONTACT UNDERPLATED 1.27μm [50μ"] MIN. NICKEL.
SHIELD: 0.762μm [30μ"] MIN. NICKEL OVER 0.762μm [30μ"] MIN. REFLOW SOLDER CAPABLE TO 260°C PER TE TEST SPEC. 109-201, CONDITION B.



OBBSOLTE

ALL CONTACTS
AND PEGGS



THIS DRAWING IS A CONTROLLED DOCUMENT.

DIMENSIONS:	TOLERANCES UNLESS OTHERWISE SPECIFIED:
MM	
	0 PLC ± -
	1 PLC ± 0.35
	2 PLC ± 0.25
	3 PLC ± 0.15
	4 PLC ± - ± 3°
FINISH	
MATERIAL	SEE NOTE
SEE NOTE	

DWN	CHK	APVD	PRODUCT SPEC	APPLICATION SPEC	WEIGHT	CUSTOMER DRAWING

STE TE Connectivity	
NAME	USB CON, RCPT, ASS'Y, R/A SMT, A TYPE
SIZE	A3
CAGE CODE	300779
DRAWING NO	G1734082
SCALE	
SHEET	2 of 4
REV	B4

2-1734082-1
PART NUMBER

A

B

C

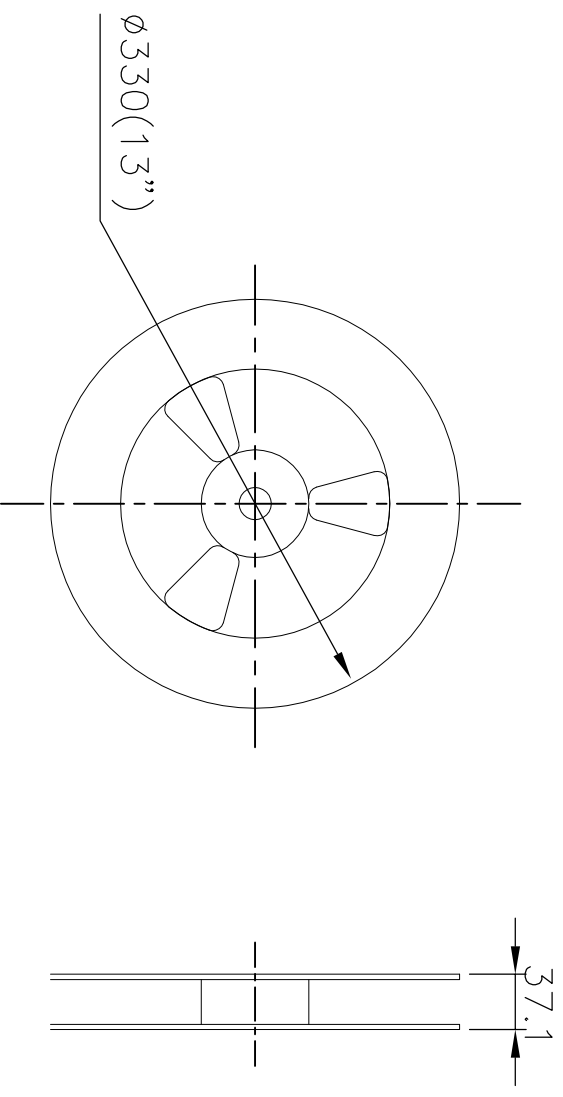
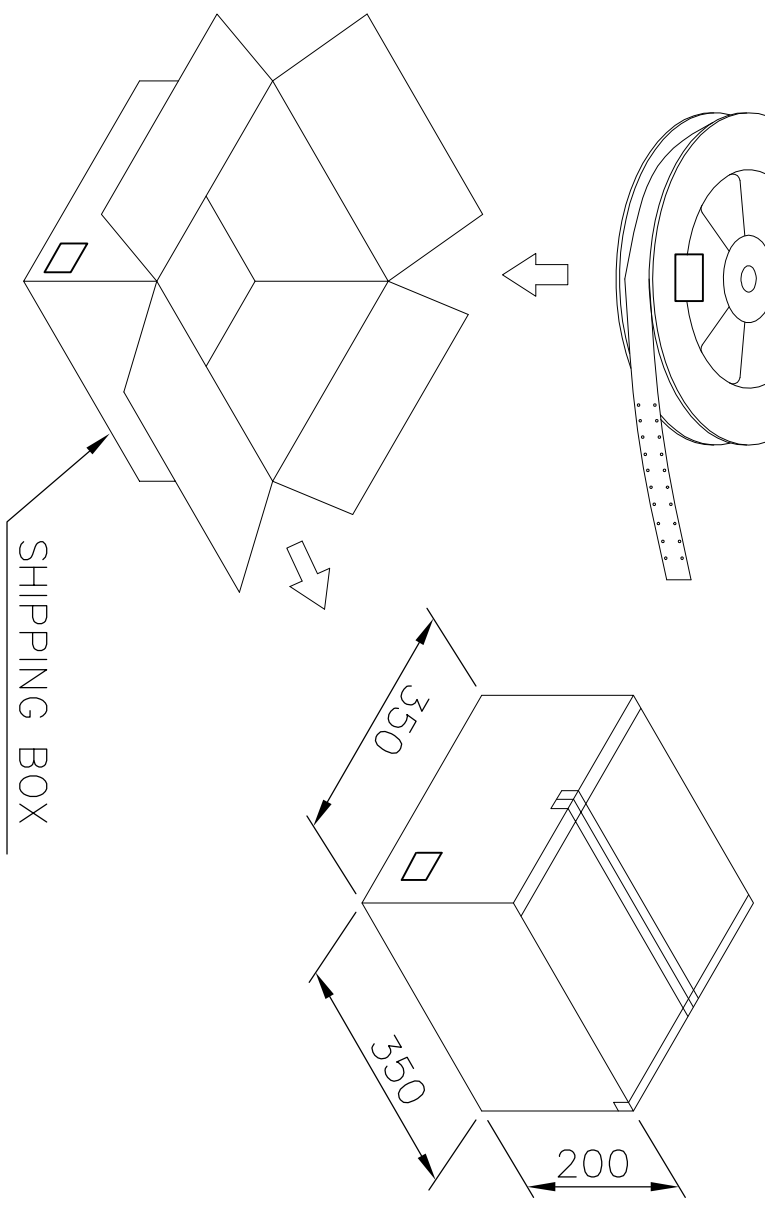
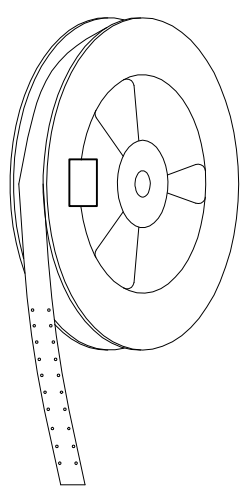
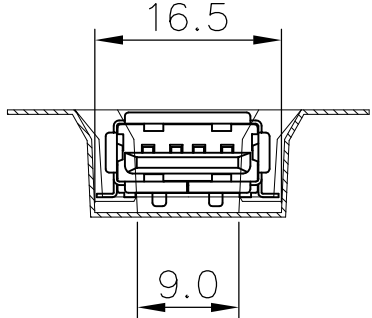
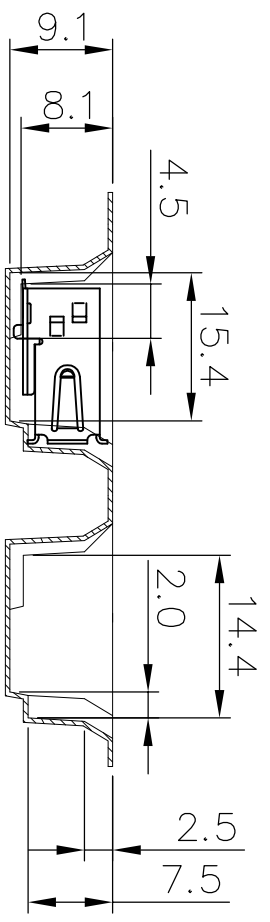
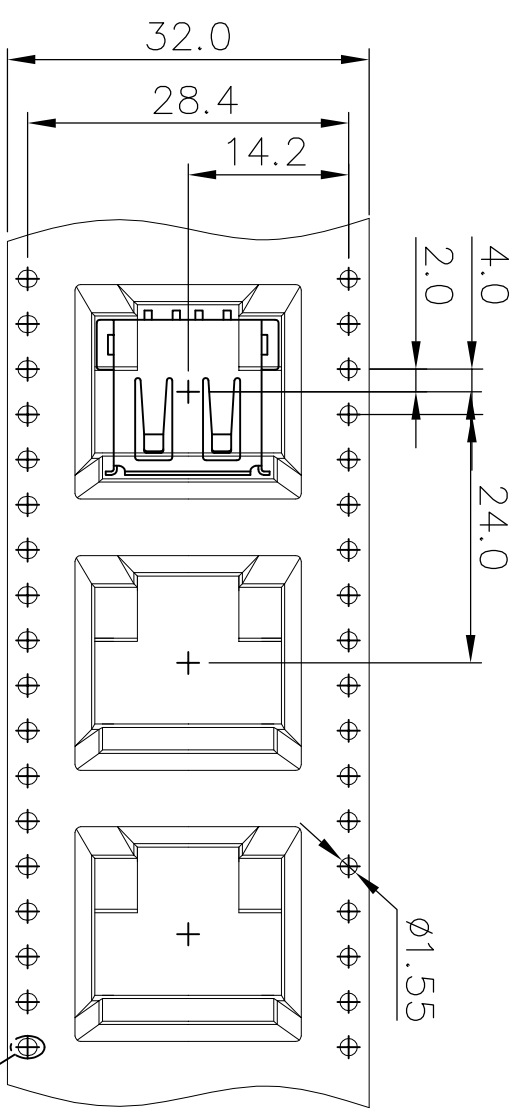
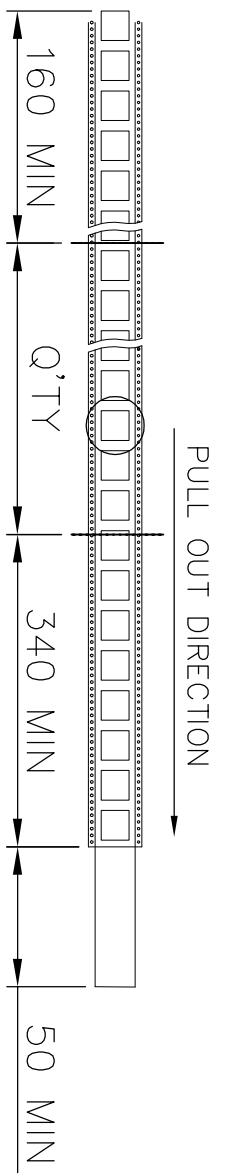
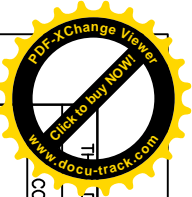
D

A

B

C

D



THIS DRAWING IS A CONTROLLED DOCUMENT.

DIMENSIONS:	TOLERANCES UNLESS OTHERWISE SPECIFIED:
MM	0 PLC ±
	1 PLC ±
	2 PLC ±
	3 PLC ±
	4 PLC ±
	ANGLES ±

MATERIAL	FINISH

PCS / REELS / REEL	REELS / BOX	QUANTITY (PCS)	G/W (kg)	N/W (kg)	PART NUMBER
300	5	1500	5.36	2.73	1-1734082-2
					1-1734082-1
					1-1734082-1
					1-1734082-2



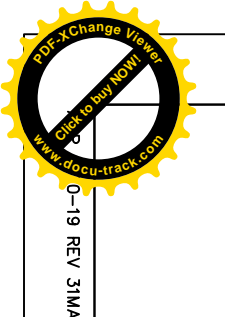
TE Connectivity

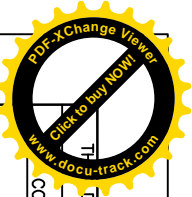
USB CON, RCPT, ASS'Y, R/A SMT, A TYPE

DMN	CHK	APVD	PRODUCT SPEC	APPLICATION SPEC	WEIGHT	CUSTOMER DRAWING
NAME		SIZE	CAGE CODE	DRAWING NO	SCALE	SHEET
USB CON, RCPT, ASS'Y, R/A SMT, A TYPE		A3	00779	1734082		3 of 4
RESTRICTED TO						

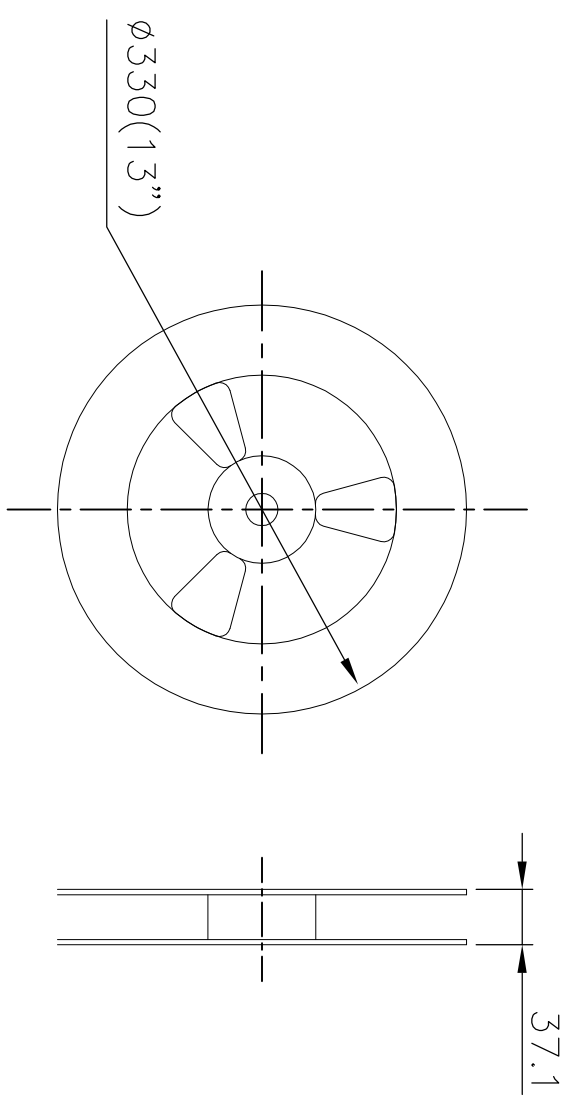
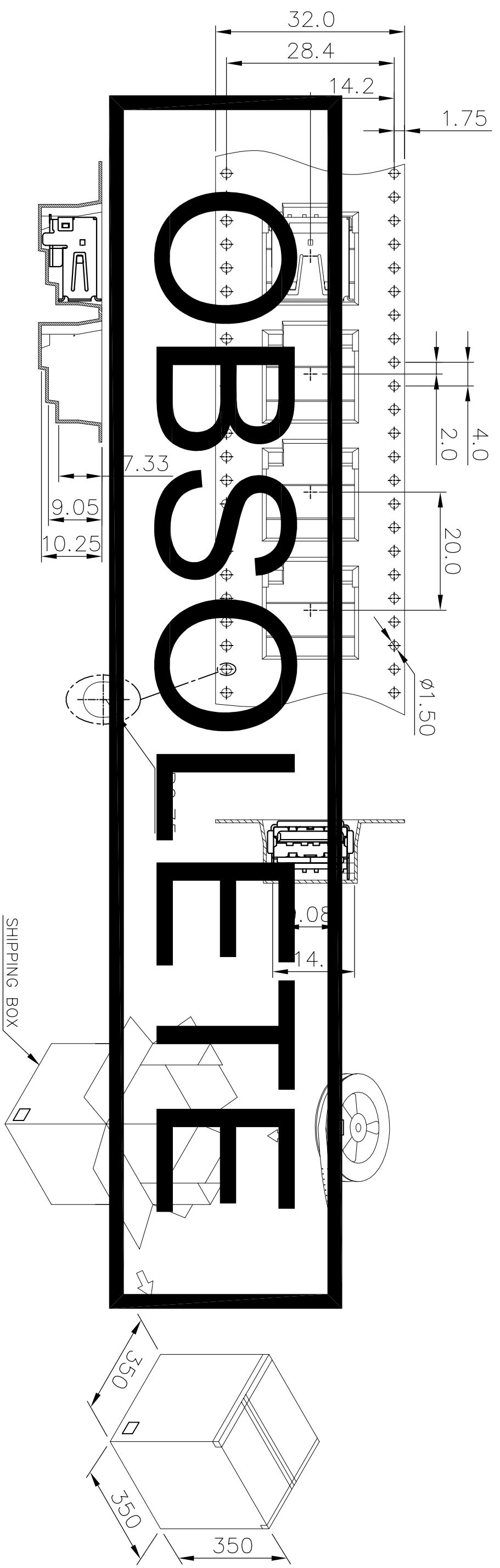
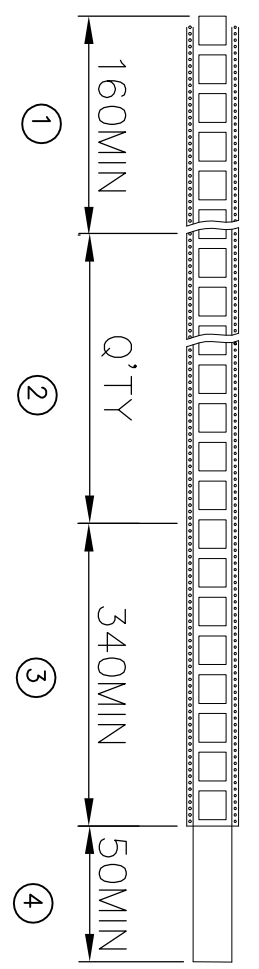
LOC	DIST	P	LTR	DESCRIPTION	DATE	DMN	APVD
DW				SEE SHEET 1.			

REVISIONS





REV	DATE	DESCRIPTION	APVD
1		SEE SHEET 1.	



THIS DRAWING IS A CONTROLLED DOCUMENT.

DIMENSIONS: MM	TOLERANCES UNLESS OTHERWISE SPECIFIED:
0 PLC	±
1 PLC	±
2 PLC	±
3 PLC	±
4 PLC ANGLES	±
MATERIAL	

PCS/ REEL	REELS/ CARTON	QUANTITY (PCS)	G/W (Kg)	N/W (Kg)	PART NUMBER
300	9	2700	12	5.94	1734082



TE Connectivity

USB CON, RCPT, ASS'Y, R/A SMT, A TYPE

DMN	CHK	APVD	PRODUCT SPEC	APPLICATION SPEC	WEIGHT	CUSTOMER DRAWING
NAME						
SIZE						
CAGE CODE						
DRAWING NO						
SCALE						
SHEET						
REV						

