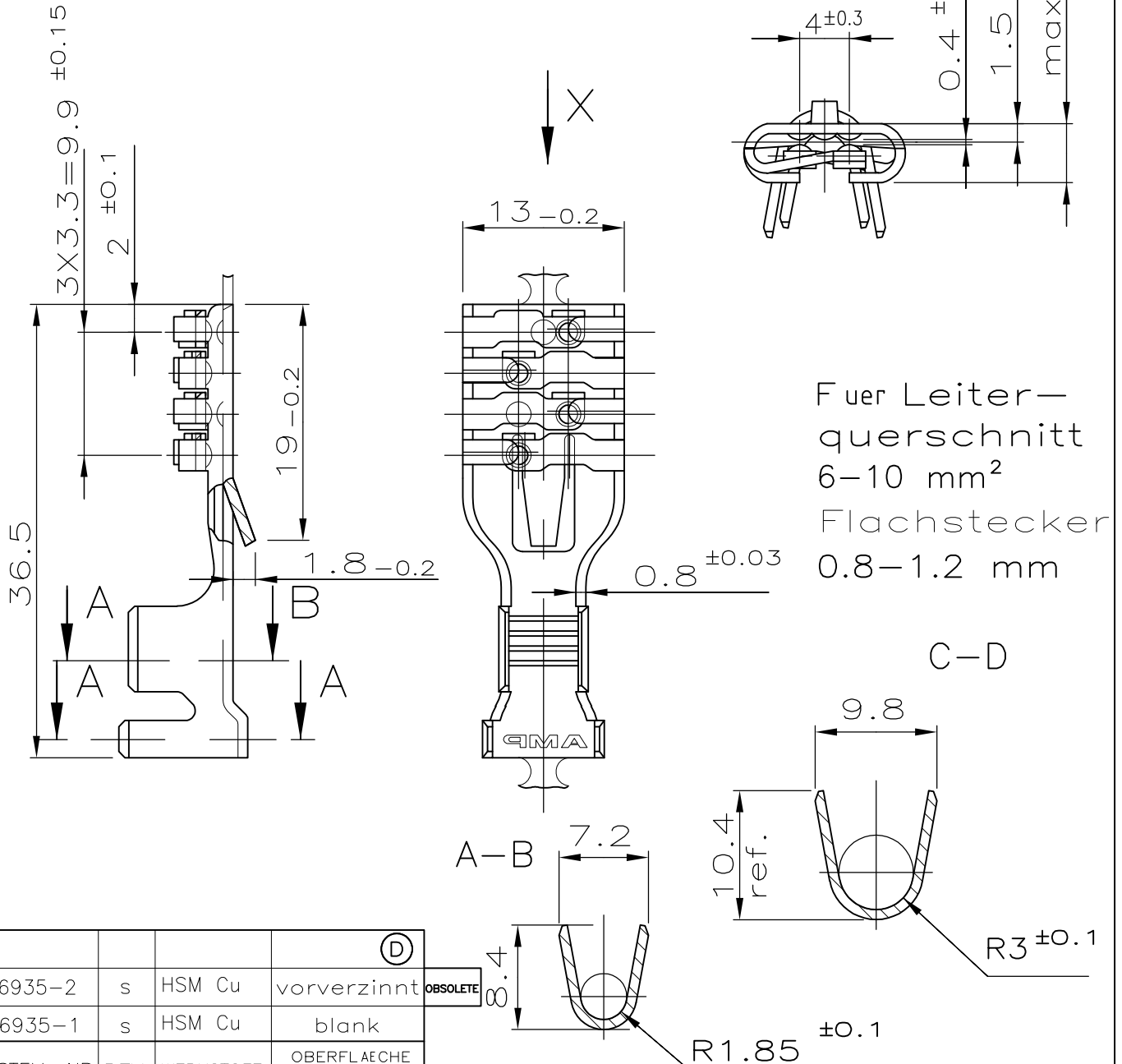


LOC	DIST	REVISIONS					
A1	—	P	LTR	DESCRIPTION	DATE	DWN	APVD
		S1		DIMENSION UPDATED	03JUN2011	PKS	RRP
		S2		REVISED PER ECR-15-015288	03NOV2015	L.P	T.D

Ansicht "X"
VIEW "X"



Fuer Leiter-
querschnitt
6-10 mm²
Flachstecker
0.8-1.2 mm

RELEASED FOR PUBLICATION

ALL RIGHTS RESERVED.

THIS DRAWING IS UNPUBLISHED.

By -

				Ⓧ
926935-2	s	HSM Cu	vorverzinkt	OBSELETE
926935-1	s	HSM Cu	blank	
BESTELL-NR.	REV.	WERKSTOFF	OBERFLAECHE	
			FARBE	

DIMENSIONS:
mm

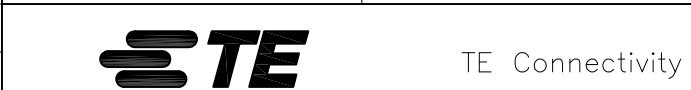
DWN B. Buxbaum 8DEC1994

MATERIAL HSM Cu

FINISH -

TOLERANCES UNLESS OTHERWISE SPECIFIED:

CHK -



APVD -

PRODUCT SPEC -

NAME COMBI-CONTACT
FUER FLACHSTECKER 6.3-9.5

APPLICATION SPEC -

WEIGHT -

SIZE A4 CAGE CODE 00779 DRAWING NO C-926935

RESTRICTED TO -

CUSTOMER DRAWING

1.5

SCALE 2:1

SHEET 1 OF 1

REV S2

- 0 PLC ± -
- 1 PLC ± -
- 2 PLC ± 0.2 mm
- 3 PLC ± -
- 4 PLC ± -
- ANGLES ± 1.5

