

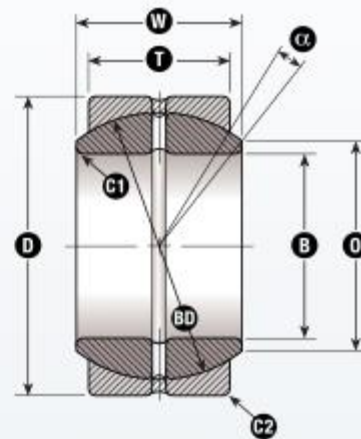
NPB GEZ31ES BEARING

LOAD SERIES INCH | STANDARD DUTY UNSEALED SPHERICAL PLAIN BEARING

NPB Part No. **GEZ31ES**

SPECIFICATIONS

Sealed	No
Ball Bore Diameter	B 1 1/4" [1.250"] ±0.0005
Outside Diameter ¹	D 2.0000" ±0.0005
Ball Width	W 1.093" ±0.005
Race Width	T .937" ±0.005
Ball Diameter Ref	BD 1.795"
Tilt Angle ²	α 6 deg
Shoulder Diameter Ref	O 1.370"
Shaft Fillet Max	C1 .023"
Housing Fillet Max	C2 .039"
Static Radial Load ³	58,507 Lbf
Dynamic Radial Load ³	19,468 Lbf



**TYPE ES
UNSEALED**

*Stainless option is available in most sizes.

¹ All tolerances in this catalog are before the outer races are fractured and before application of dry film lubricant

² Seals may reduce tilt angle

³ Ultimate loads for the bearings in this catalog are approximately 1.5 times the catalog load ratings