

TIN LEAD PART NUMBER

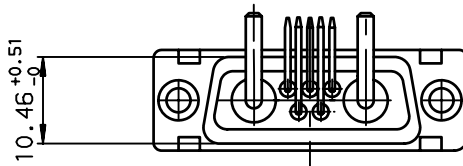
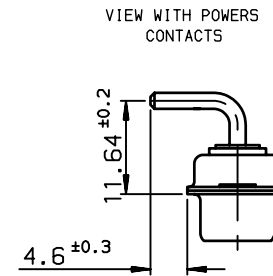
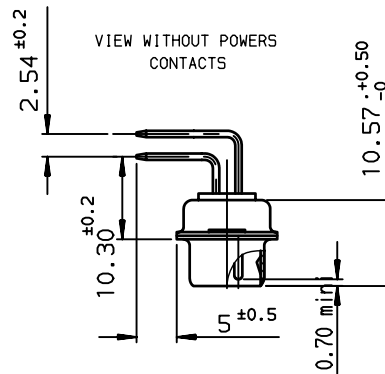
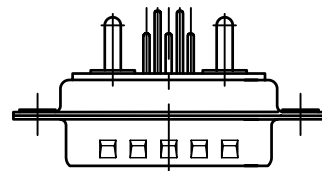
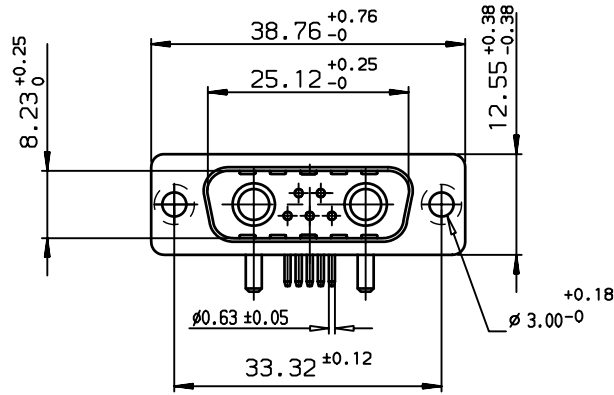
DA7W2P500A30

PART NUMBER

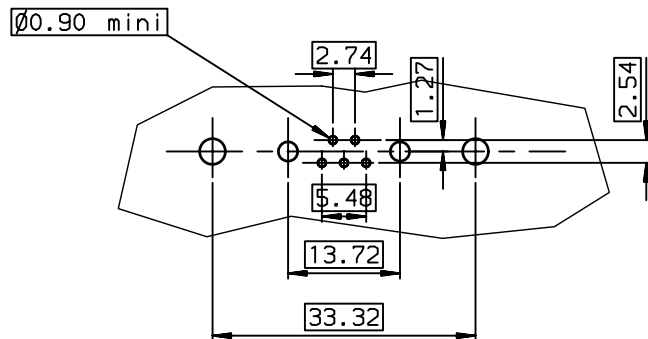
LEAD FREE PART NUMBER

DA7W2P500A30LF

PART NUMBER



LAYOUT DIMENSIONS (after plating)
CONNECTOR SIDE VIEW



GENERAL CHARACTERISTICS AND ROHS INFORMATIONS:
SEE DRAWING C01-8639-0000

European Views

www.fciconnect.com		surface ISO 1302	tolerance std ISO 406 ISO 1101	projection mm	size A3	Scale 1.5
		TOLERANCES UNLESS OTHERWISE SPECIFIED				
Dr	JARRY	2000/12/18	0.X	±0.1		
Eng	PESSON	2000/12/18	0.XX	±0.1		
Chr	LEGARE	2000/12/18	0.XX*	±2*		
Appr	LEGARE	2000/12/18	0.XXX	±0.1	ECN	LS06-0095
		Product family	D-SUB		Spec ref	-
FCI		PIN CONNECTOR RIGHT ANGLED WITH POWERS CONTACTS			dwg no	C01-8639-1759
catalog no				CUSTOMER	sheet 1 of 1	

rev	ecn no	dr	date
B	-	DEB	2003/09/29
C	LS05-001	MPE	2005/03/09
D	LS06-0095	LGO	2006/06/27
-	-	-	-
-	-	-	-
-	-	-	-