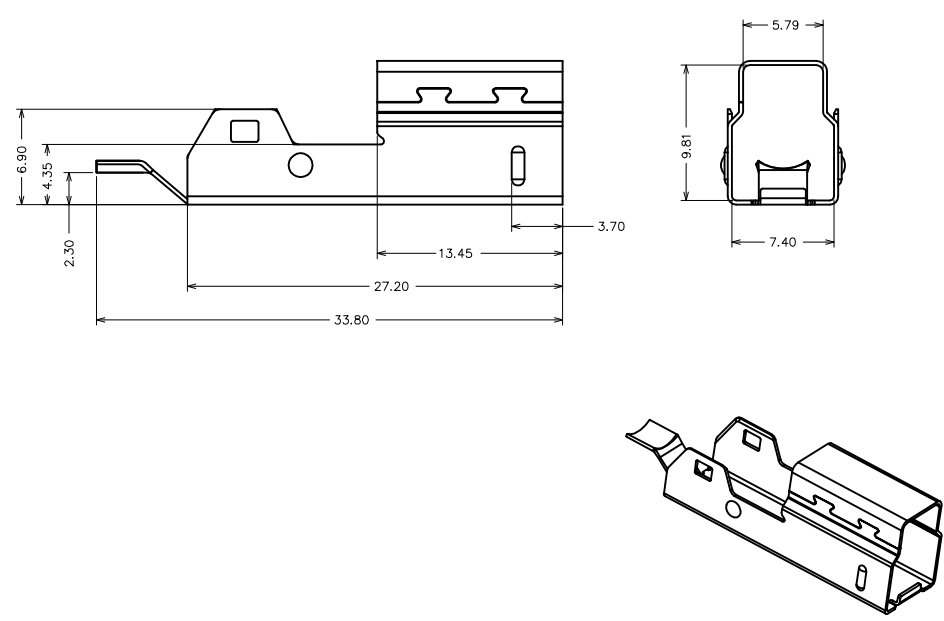
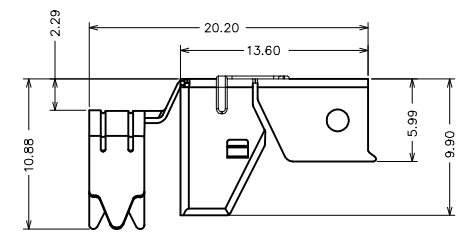
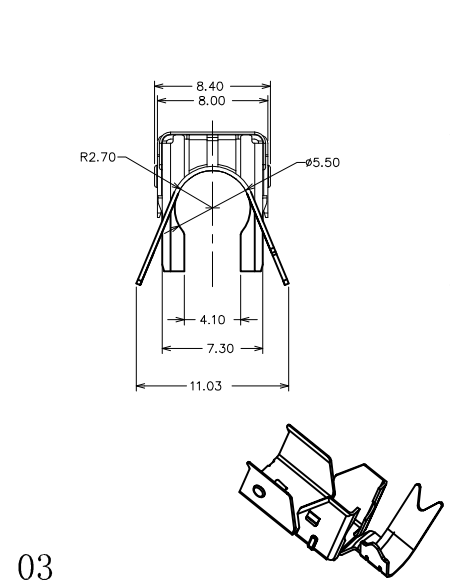
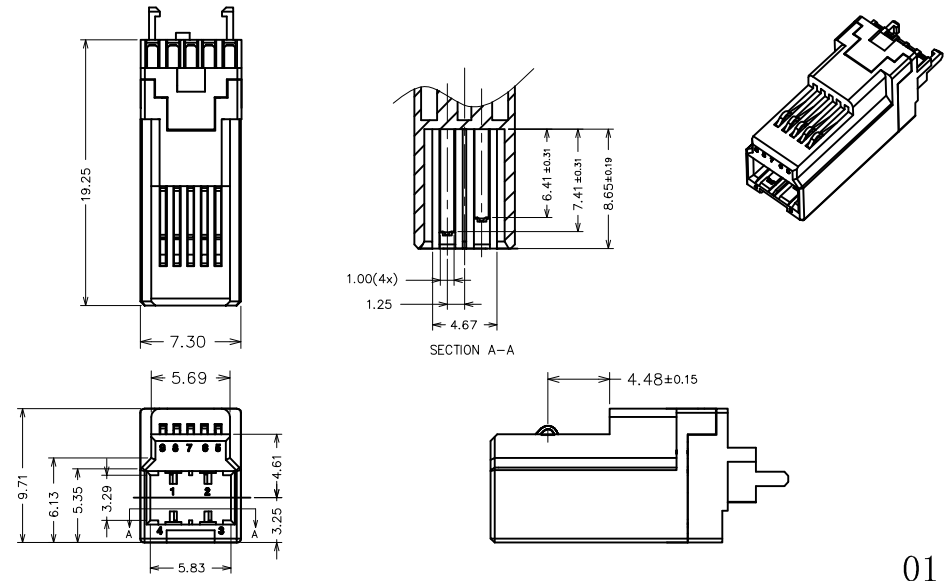
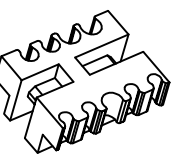


REVISION RECORD		
REV	DESCRIPTION	DRFT



NOTES:
MATERIAL:
1. HOUSING & COVER & WIRE SLOT: NYLON 6T (UL 94V-0), BLUE
2. FRONT SHIELD: SPCC ; REAR SHIELD: SPCC
50u" Min NICKEL PLATING OVER ALL .
4PIN CONTACT: BRASS;
5PIN CONTACT: PHOSPHOR BRONZE ;
30u" MIN GOLD PLATING ON CONTACT AREA,
80u" MIN TIN PLATING ON SOLDER TAILS AREA,
50u" MIN NICKEL UNDERPLATING OVER ALL.

CHARACTERISTICS:
1. CONTACT RESISTANCE: 30mΩ MAX.
2. INSULATION RESISTANCE: 100MΩ Min.
3. DIELECTRIC WITHSTANDING VOLTAGE: 100 vac .
4. MATING FORCE: 3.57Kgf MAX (35N MAX)
5. UNMATING FORCE: 1.02Kgf Min (10N Min)
6. DURABILITY: 5000 CYCLES
7. HIGH FREQUENCY RESISTANCE (DIFFERENTIAL)
75Ω MINIMUM 105Ω MAXIMUM
8. OPERATION TEMPERATURE: -20°C to +80°C



		DFTO Roy	DATE 11/20/2012		RoHS Compliant	
TOLERANCES EXCEPT AS NOTED MM X. ±0.38 ± X.X ±0.30 ± X.XX ±0.25 ±		CHKD	DATE			
DETACHED LISTS ANGLES: X.'±5' X.X'±2'		APPVL	DATE	TITLE		
		MATERIAL :		USB 3.0 B TYPE PLUG		
		QTY :		DRAWING NO. E8199-070-01		SIZE A3
		FINISH :		/PART NO. E8199-070-01		REV 01
		SCALE : 1:1		DO NOT SCALE DRAWING		SHEET 1 OF 1