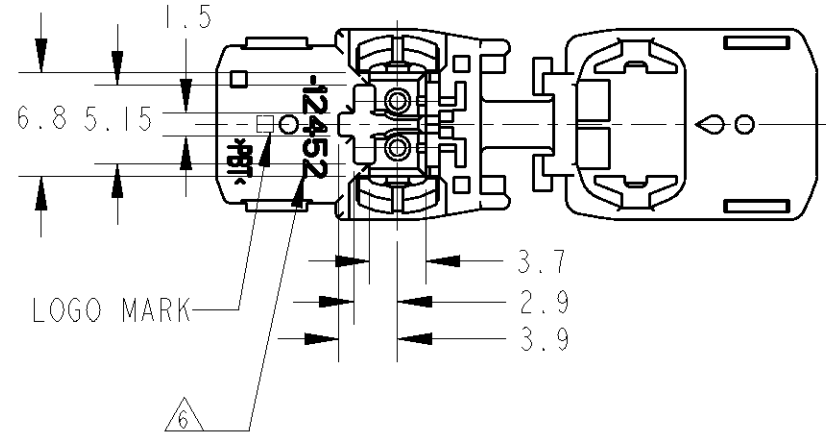
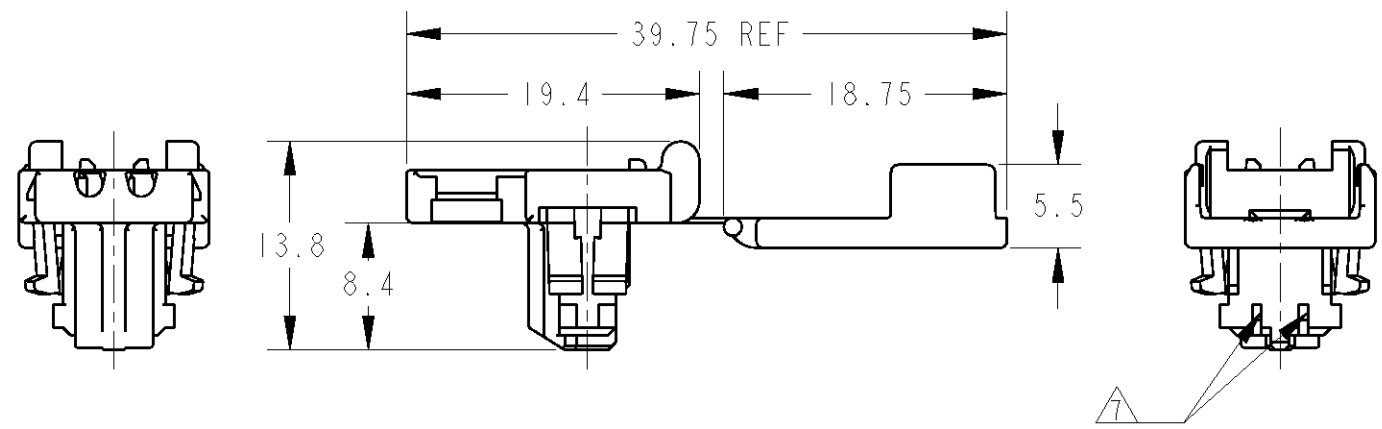
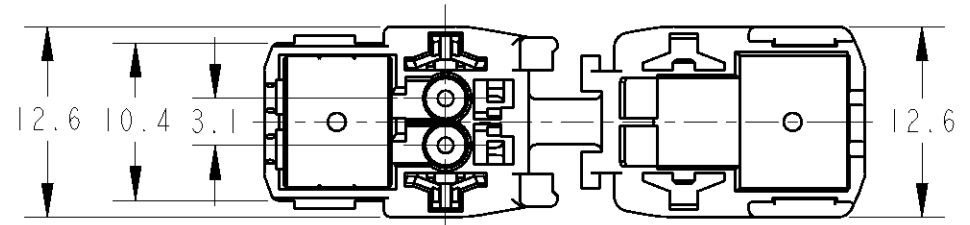


THIS DRAWING IS UNPUBLISHED. RELEASED FOR PUBLICATION 20  
 © COPYRIGHT 20 BY TYCO ELECTRONICS CORPORATION. ALL RIGHTS RESERVED.

LOC	DIST	REVISIONS						
		P	LTR	DESCRIPTION	ECN	DATE	DWN	APVD
J	-		01	ADDED -2	FJA0-0638-04	16SEP2004	T.H	H.Y
			02	ADDED -3	FJA0-0785-04	05NOV2004	A.O	H.Y
			03	ADDED -4, -5	ECR-05-004267	06JUN2005	Y.S	H.Y
			A	REVISED	ECR-10-007503	16APR2010	T.S	K.B



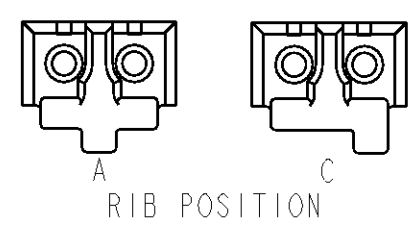
1. APPLICABLE CONTACT P/N: 1612124  
(WIRE RANGE: AVSS/AVSSH/AESSX 0.3~0.5mm<sup>2</sup>, CAVS/CAVUS 0.22~0.5mm<sup>2</sup>, HFTUF 2c 0.5mm<sup>2</sup>)  
APPLICABLE FERRITE P/N: 1612123
2. THIS PRODUCT SHOULD BE USED WITH THE IIDIA SQUIB CONNECTOR COMPACT TYPE BUTTON. APPLICABLE BUTTON P/N IS CHANGED FOR SHORT CIRCUIT RING P/N. THE COMBINATION IS SHOWN IN TABLE I
3. APPLICABLE SHORT CIRCUIT RING IS CHANGED FOR BUTTON. THE COMBINATION IS SHOWN IN TABLE I
4. THE FORM OF INTERFACE, SEE THE DRWING OF SHORT CIRCUIT RING.
5. INSTRUCTION SHEET: 411-78033

1. 適用端子品番: 1612124  
(適用電線: AVSS/AVSSH/AESSX 0.3~0.5mm<sup>2</sup>, CAVS/CAVUS 0.22~0.5mm<sup>2</sup>, HFTUF 2c 0.5mm<sup>2</sup>)  
適用フェライト品番: 1612123
2. 本製品は、IIDIA SQUIB CONNECTOR COMPACT TYPE BUTTONを装着して使用する。  
BUTTON P/Nは、本製品に適用するショートサーキットリング品番により異なる。組み合わせはTABLE Iを参照のこと。
3. 本製品に適用するショートサーキットリング品番は、使用するBUTTONにより異なる。組み合わせはTABLE Iを参照のこと。
4. 嵌合相手形状は、ショートサーキットリング図面を参照のこと。
5. 取扱説明書: 411-78033

TABLE I

SCR	PLUG HSG	BUTTON		
		1612122-1	1827120-1	
	699638	1612121-1, -2, -3, -4, -5	NOT APPLICABLE	APPLICABLE
	1473369	1612121-1, -2, -3, -4, -5	APPLICABLE	APPLICABLE
	1376766	1612121-4, -5	NOT APPLICABLE	APPLICABLE

WITHOUT	NONE	C	ORANGE	1612121-5
WITHOUT	NONE	A	YELLOW	1612121-4
WITH	NONE	A	YELLOW	1612121-3
WITH	NONE	C	ORANGE	1612121-2
WITH	-12452	A	BLACK	1612121-1
SLIT		RIB POSITION	COLOR	PART NUMBER



THIS DRAWING IS A CONTROLLED DOCUMENT FOR TYCO ELECTRONICS CORPORATION. IT IS SUBJECT TO CHANGE AND THE CONTROLLING ENGINEERING ORGANIZATION SHOULD BE CONTACTED FOR THE LATEST REVISION.

DIMENSIONS: 単位: 概 mm	TOLERANCES UNLESS OTHERWISE SPECIFIED: 一般公差 ±0.2 0 PLC ± 1 PLC ±0.1 2 PLC ±0.01 3 PLC ±0.001 4 PLC ±0.0001 ANGLES ±1.00'	DWN R. NAGAI 26MAR2003 CHK T. HAYASHI 26MAR2003 APVD H. YAMAGAMI 26MAR2003	Tyco Electronics Corporation Kawasaki, Japan	
MATERIAL 材料 PBT	FINISH 仕上 SEE TABLE	PRODUCT SPEC 108-5679	NAME 名称 IIDIA SQUIB CONNECTOR COMPACT TYPE PLUG HOUSING	
		APPLICATION SPEC 取付適用規格	SIZE A3	CAGE CODE 00779
		WEIGHT 1.1 g	DRAWING NO 番号 C-1612121	RESTRICTED TO
		CUSTOMER DRAWING	SCALE 2:1	SHEET 1 OF 1 REV A