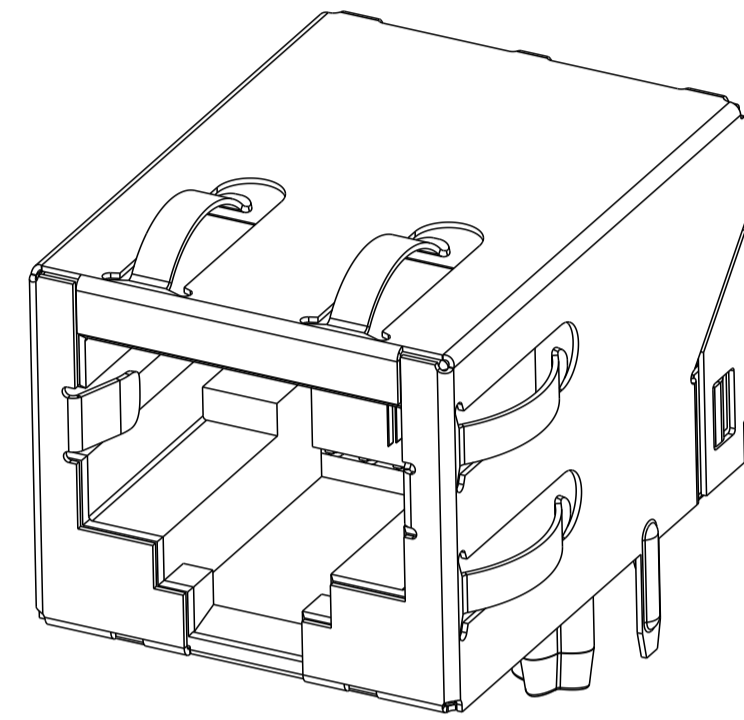
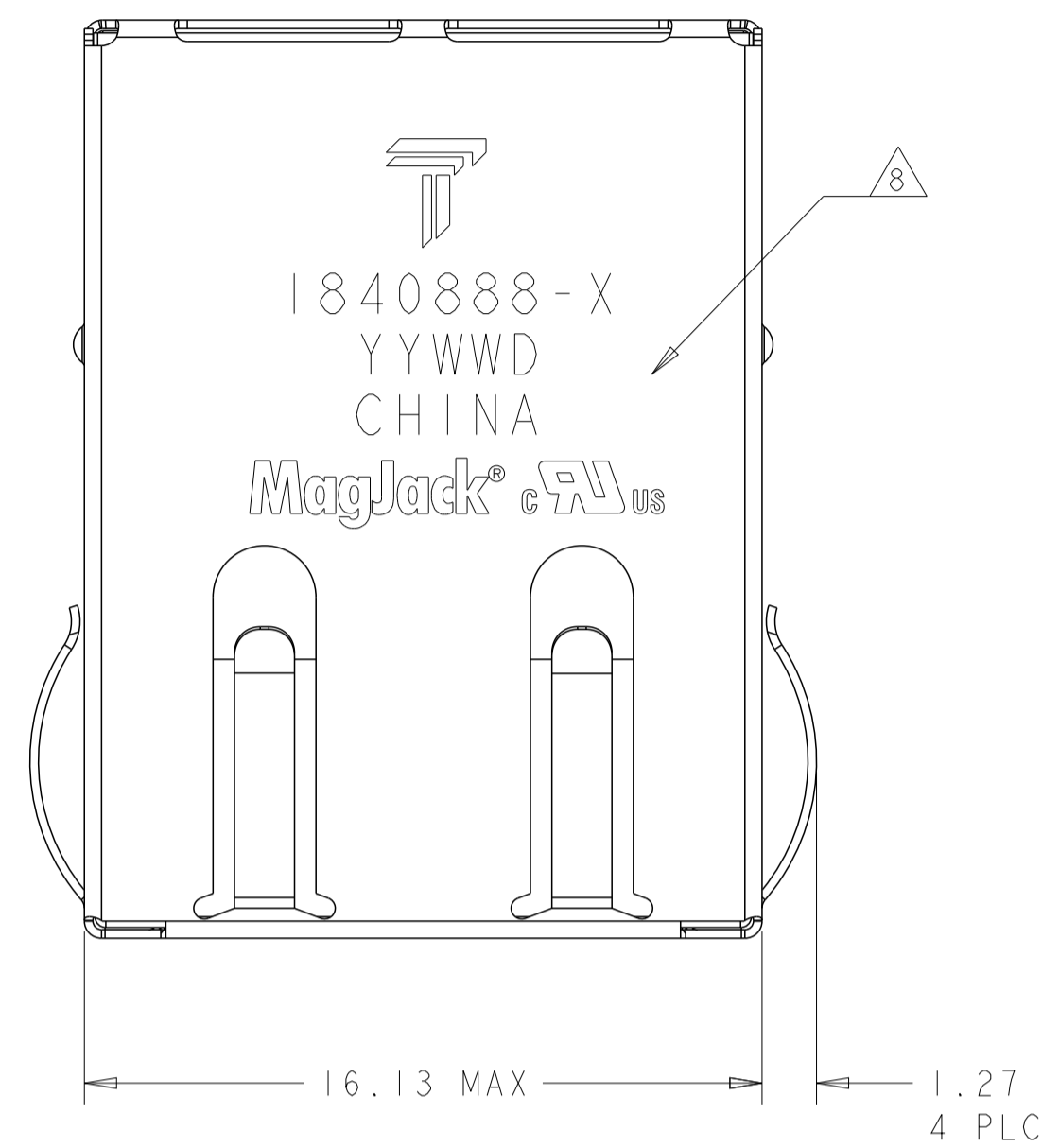


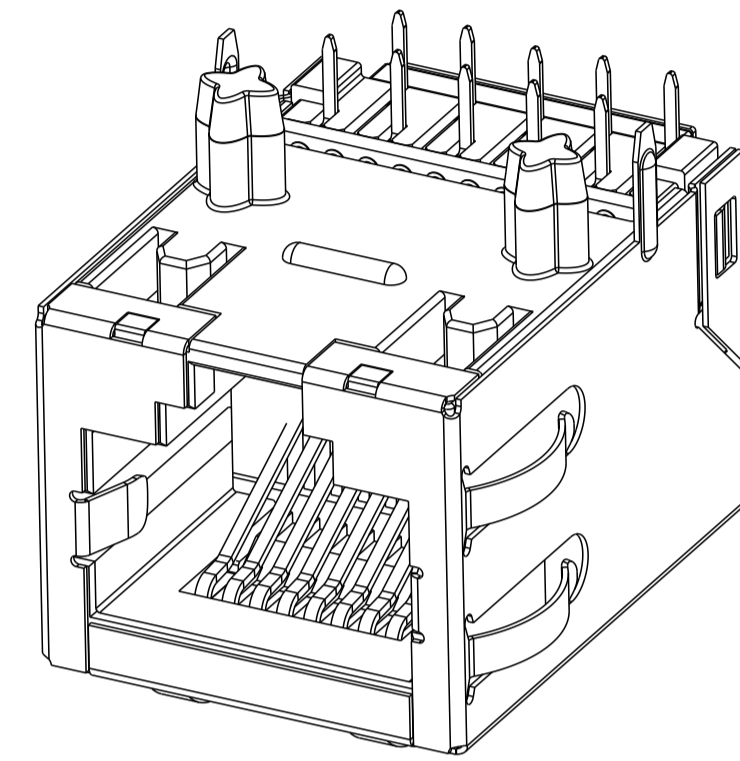
THIS DRAWING AND THE SUBJECT MATTER SHOWN THEREON ARE CONFIDENTIAL AND THE PROPERTY OF BEL/STEWART/TRP CONNECTOR AND SHALL NOT BE REPRODUCED, COPIED, OR USED IN ANY MANNER WITHOUT THE WRITTEN CONSENT OF TRP CONNECTOR.

PRODUCT MAY BE PROTECTED BY ONE OR MORE OF THE FOLLOWING US PATENTS:
 5736910 5939955 6425781 6428361 6554638 6840817 7123117
 7429195 7717749 7808751 6217391 6149050 7924130

REVISIONS				
P. LTM	DESCRIPTION	DATE	DWN	APVD
6	EC-1411035 COMPANY LOGO CHANGE	09JAN2015	RL	TY



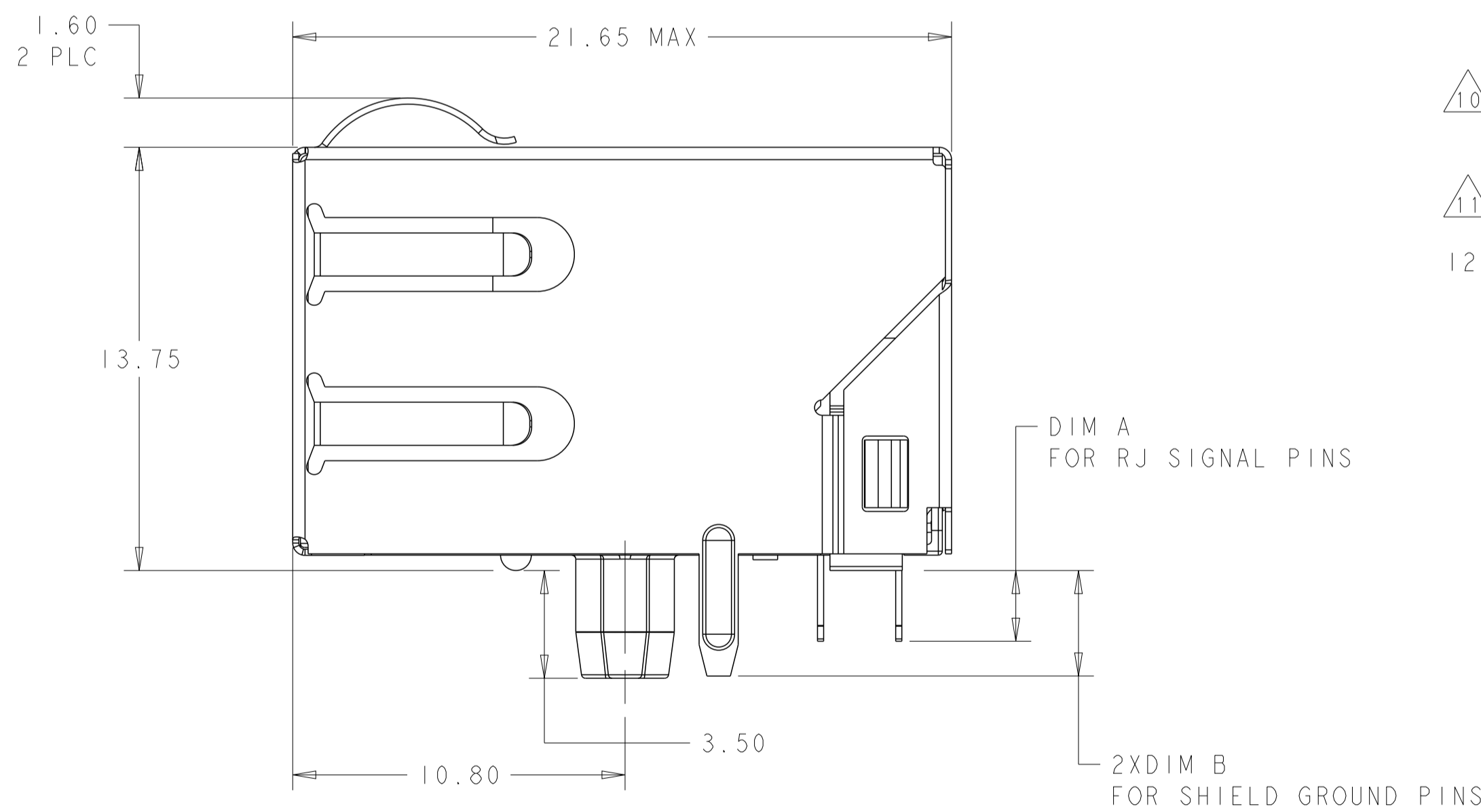
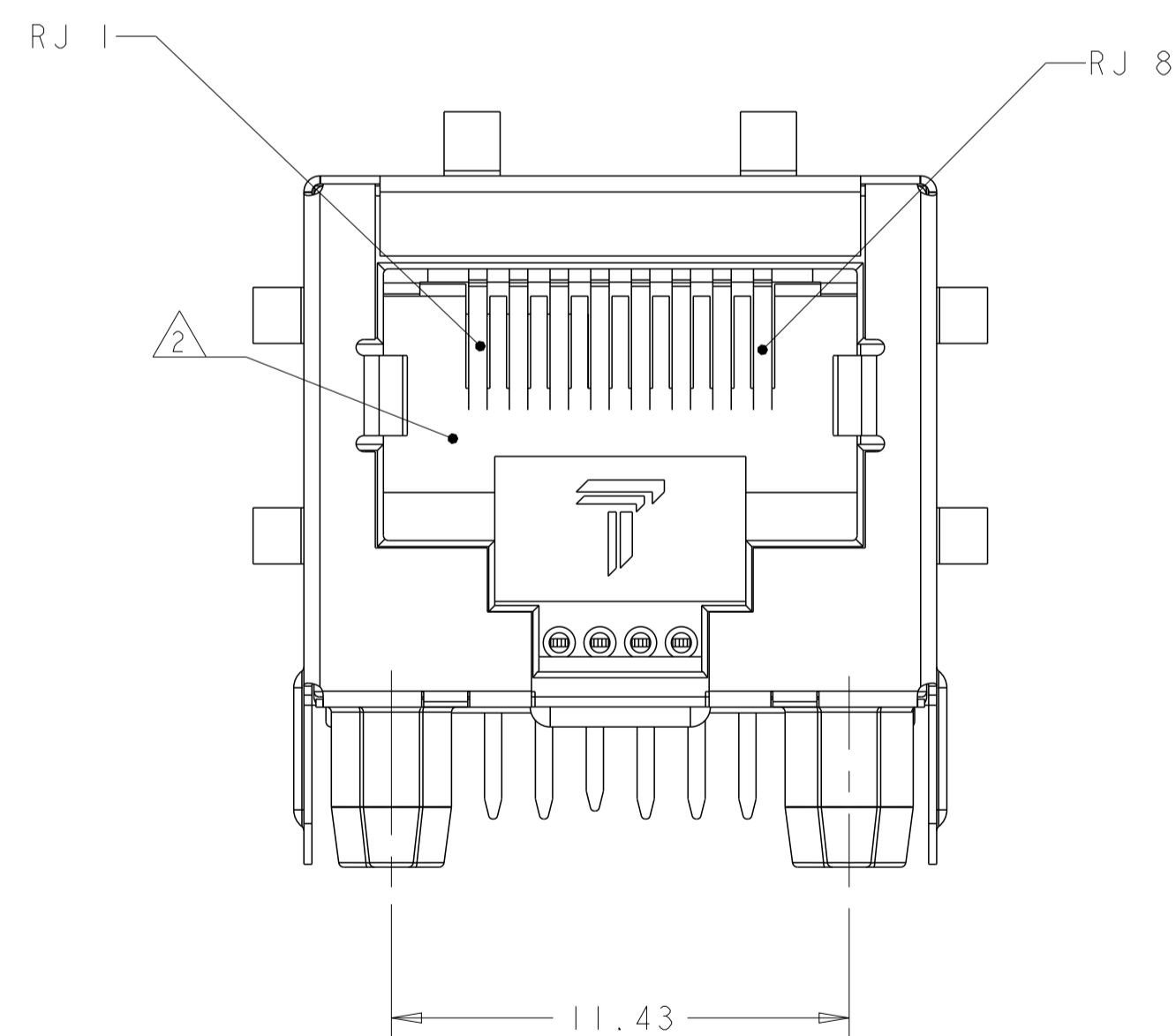
SCALE 4:1



SCALE 4:1

NOTES:

1. MATERIALS
 - HOUSING: THERMOPLASTIC, FLAMMABILITY RATING UL 94V-0.
 - SHIELD: BRASS 0.20mm THICK, PREPLATED WITH 0.76um MIN SEMI-BRIGHT NICKEL. SOLDER TABS POST DIPPED WITH 2.54um MIN SOLDER.
 - CONTACTS: PHOSPHOR BRONZE 0.46mm X 0.30mm, PHOSPHOR BRONZE, 1.27um MIN NICKEL UNDERPLATE, WITH 1.27um MIN GOLD PLATING AT MATING INTERFACE AND 2.54um MIN MATTE TIN ON SOLDER TAILS
 - SOLDER TAILS: 0.25mm THICK, PHOSPHOR BRONZE, 1.27um MIN OVERALL NICKEL UNDERPLATE, 3um TIN PLATE
2. RJ45 JACK CAVITY CONFORMS TO FCC RULES AND REGULATIONS PART 68 SUB PART F.
3. MAGNETICS
 - APPLICATION: 10/100/1000 BASE-T, EXTENDED TEMPERATURE
 - IMPEDANCE: 100 OHMS
 - TURNS RATIO (CHIP:CABLE): 1:1 ALL FOUR PAIRS
 - OPEN CIRCUIT INDUCTANCE (OCL): 350uH MIN. @100kHz, 0.1VRMS, 8mADC BIAS FROM -40°C TO +85°C, ALL FOUR PAIRS
 - ALL FOUR PAIRS BI-DIRECTIONAL
 - PERFORMANCE @ 25°C:
 - INSERTION LOSS (IL): 1.1dB MAX. FROM 0.5MHz TO 100MHz
 - RETURN LOSS (RL): 18dB MIN FROM 0.5MHz TO 40MHz
 - 12-20LOG(f/80)dB MIN. FROM 40.1MHz TO 100MHz
 - CROSSTALK ATTENUATION: 35dB MIN. FROM 0.5MHz TO 40MHz
 - 33-20LOG(f/50)dB MIN. FROM 40.1MHz TO 100MHz
 - COMMON MODE REJECTION RATIO (CMRR): 30dB MIN. FROM 0.5MHz TO 100MHz
4. ISOLATION VOLTAGE: 2250VDC FOR 60 SECONDS WITH A RISE TIME OF 500 V/SEC
5. ISOLATION VOLTAGE: 1500VAC (MAX) AT 60Hz FOR 60 SECS
6. OPERATING TEMPERATURE: FROM -40°C TO +85°C.
7. INDICATED MAGNETIC CONNECTIONS ARE SYMMETRICAL TO SUPPORT AUTO-MDI/MDIX.
8. TRP CONNECTOR LOGO, PART NUMBER, DATE CODE, COUNTRY OF ORIGIN AND AGENCY APPROVAL MARKING IN APPROXIMATE LOCATION SHOWN.
9. THESE PARTS ARE RECOMMENDED FOR WAVE SOLDERING PROCESS, PREHEAT TEMPERATURE IS 120°C TO 160°C, 120 SECONDS TO 180 SECONDS, PEAK WAVE SOLDERING TEMPERATURE IS 260°C MAX, 10 SECONDS MAX.
10. THESE PARTS ARE RECOMMENDED FOR IR REFLOW SOLDERING PROCESS, PEAK SOLDERING TEMPERATURE 260°C MAX DURATION TIME 10 SECONDS MAX, OVER 230°C WITHIN 40-60 SECONDS.
11. DECOUPLING CAPACITOR C1 IS OPTIONAL
12. PART PACKAGE METHOD: TRAY



5	3 KV	3.43	2.30	9	1840888-5
4	2 KV	4.90	4.90	9	1840888-4
4	2 KV	3.43	3.68	9	1840888-3
4	2 KV	3.43	2.30	10	1840888-2
4	2 KV	3.43	2.30	9	1840888-1
ISOLATION VOLTAGE	DECOUPLING CAPACITOR	DIM B	DIM A	APPLICATION	PART NO.

THIS DRAWING IS A CONTROLLED DOCUMENT.		DWN: ROY LIU/EVAN MA 09MAR2011		DONGGUAN CHINA a bel group	
DIMENSIONS: mm		CHK: TOWER YU/FRANK LIU 09MAR2011			
TOLERANCES UNLESS OTHERWISE SPECIFIED:		APVD: HEI TH ZHU 09MAR2011		MODEL NAME: MAGJACK DESC: 1X1 4G46ETPI GIGABIT TAB DOWN W/O LED	
0 PLC ±0.25 1 PLC ±0.25 2 PLC ±0.25 3 PLC ±0.25 4 PLC ± ANGLES ± APPLICATION SPEC ±		PRODUCT SPEC: 108-104004 CUSTOMER DRAWING		SIZE: A1 CAGE CODE: C=1840888 SCALE: 4:1 SHEET 1 OF 2 REV 5	

