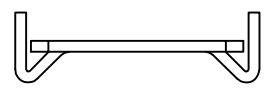


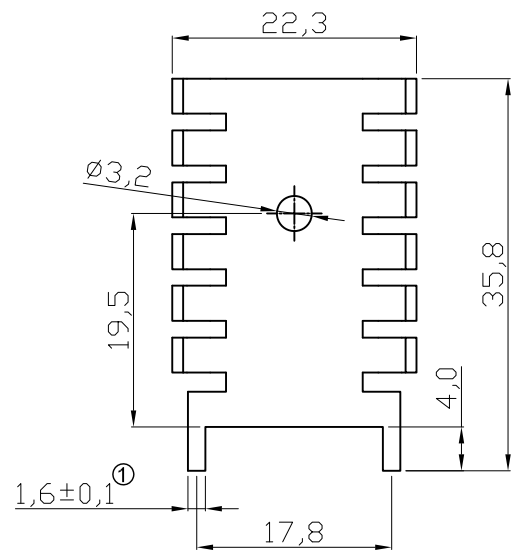
1 2 3 4 5 6 7

A



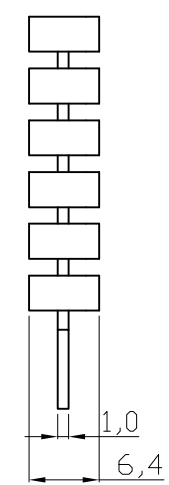
A

B



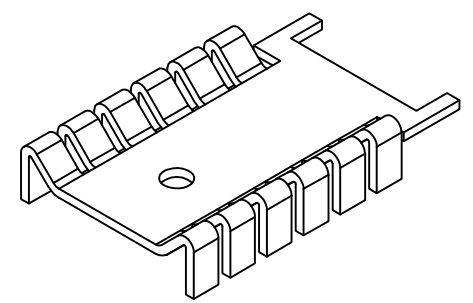
B

C



C

D



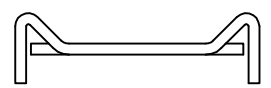
D

E

Notes  
Material: AL 1050,T=1.0mm

E

F



F

| Option   | Finish         |
|----------|----------------|
| V5641A-T | Black Anodized |
| V5641B-T | Matte Tinned   |

G

**RoHS compliant**  
Unit:mm

| Scale     | Free |     |                         |            |       | Date     | Name       |      |
|-----------|------|-----|-------------------------|------------|-------|----------|------------|------|
| TOLERANCE |      |     |                         |            |       | Drawn    | 09.10.2010 | Dean |
| UNIIT     | 0.25 |     |                         |            |       |          |            |      |
|           |      | ③   | Change production plant | 23.09.2013 | Amy   | Approved | 23.09.2013 | Amy  |
|           |      | ②   | Update plating Type     | 19.06.2012 | Lucas |          |            |      |
|           |      | ①   | Add tolerance           | 19.08.2011 | Jason |          |            |      |
|           |      | ①   | Drawn                   | 09.10.2010 | Dean  |          |            |      |
|           |      | Id. | Modification            | Date       | Name  |          |            |      |
|           |      |     |                         |            |       |          |            |      |

G

H

|                 |                      |
|-----------------|----------------------|
| Customer-No.    |                      |
| ASSMANN WSW-No. | V5641A-T<br>V5641B-T |
| Drawing-No.     | ASS 0989 HS          |
| Replace         | rev03                |
|                 | Sheet                |

H

1 2 3 4 5 6 7