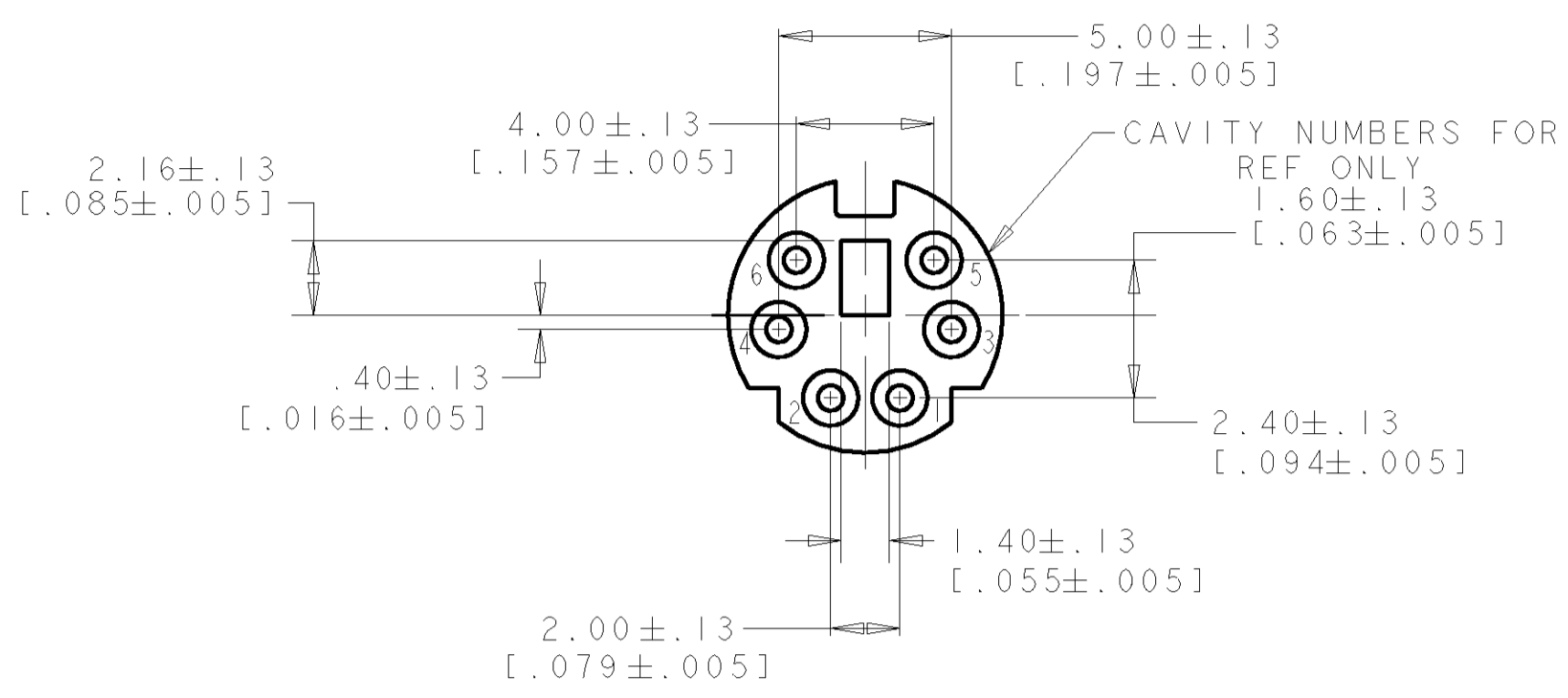
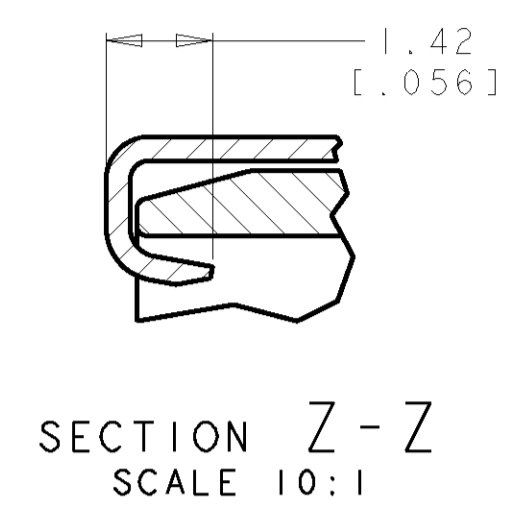
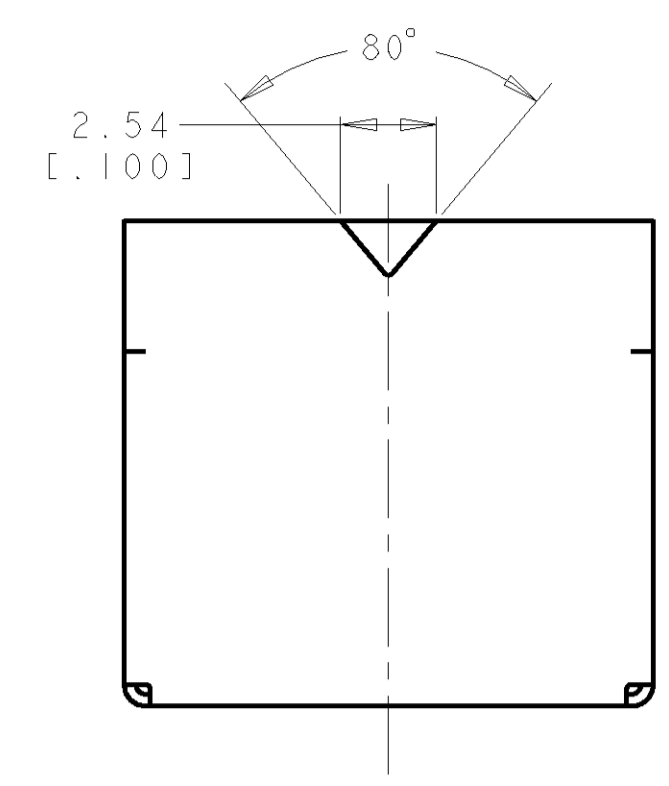
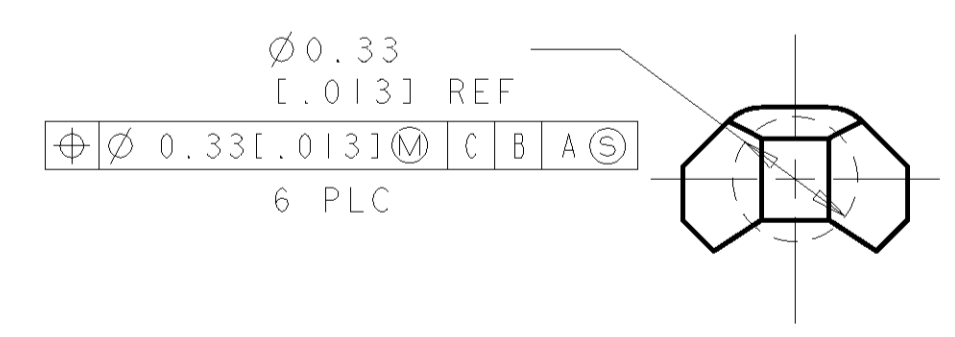
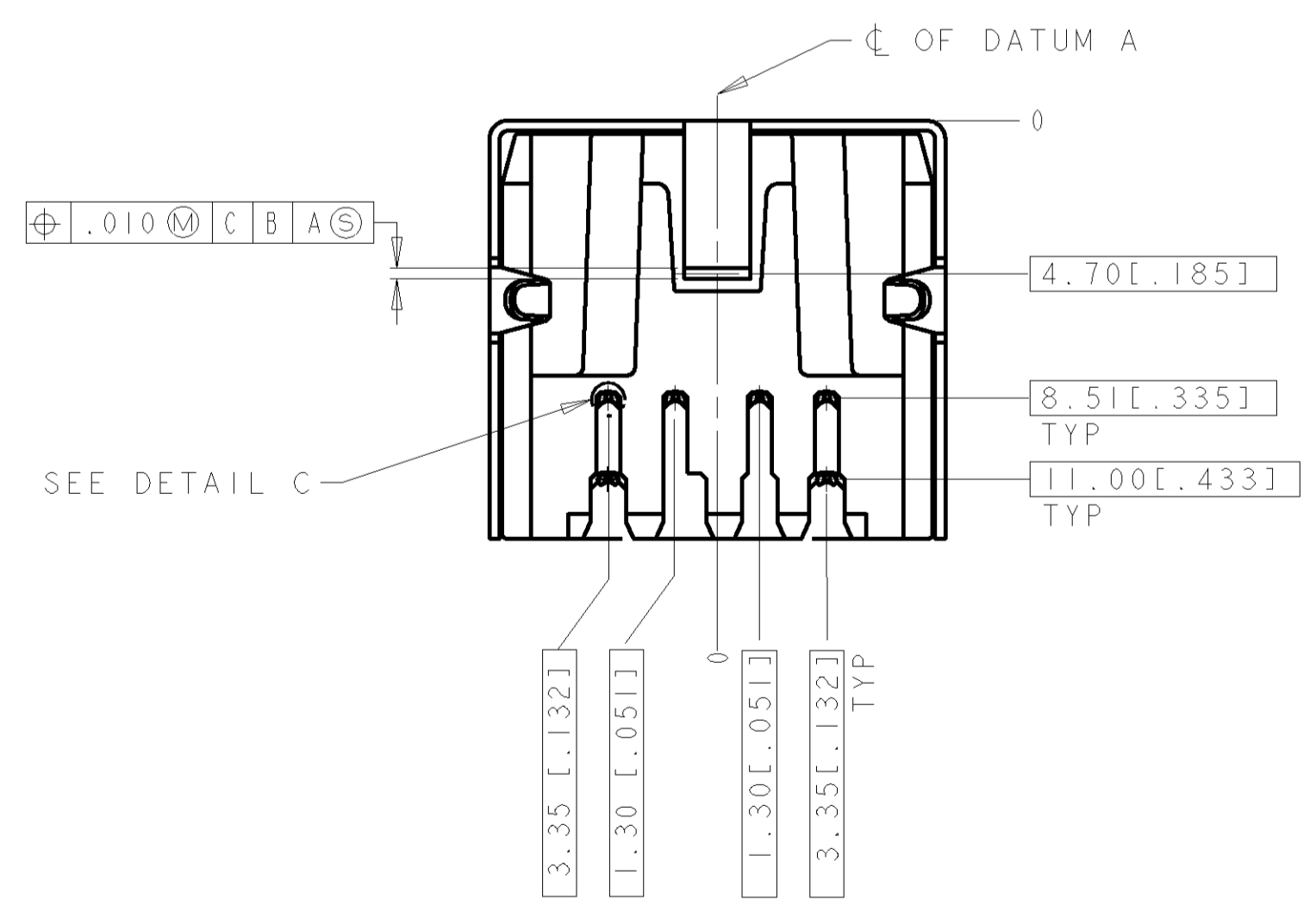
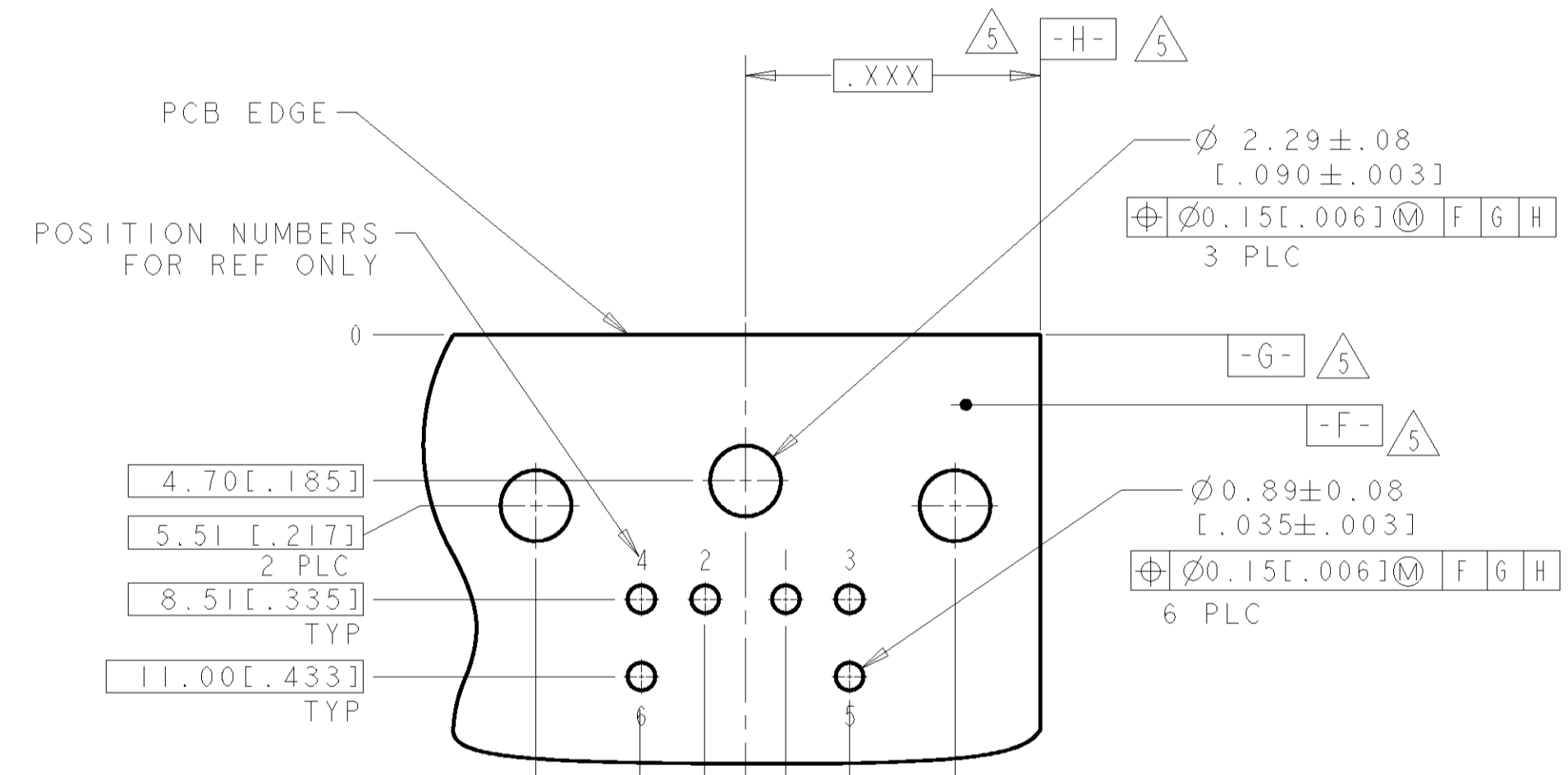
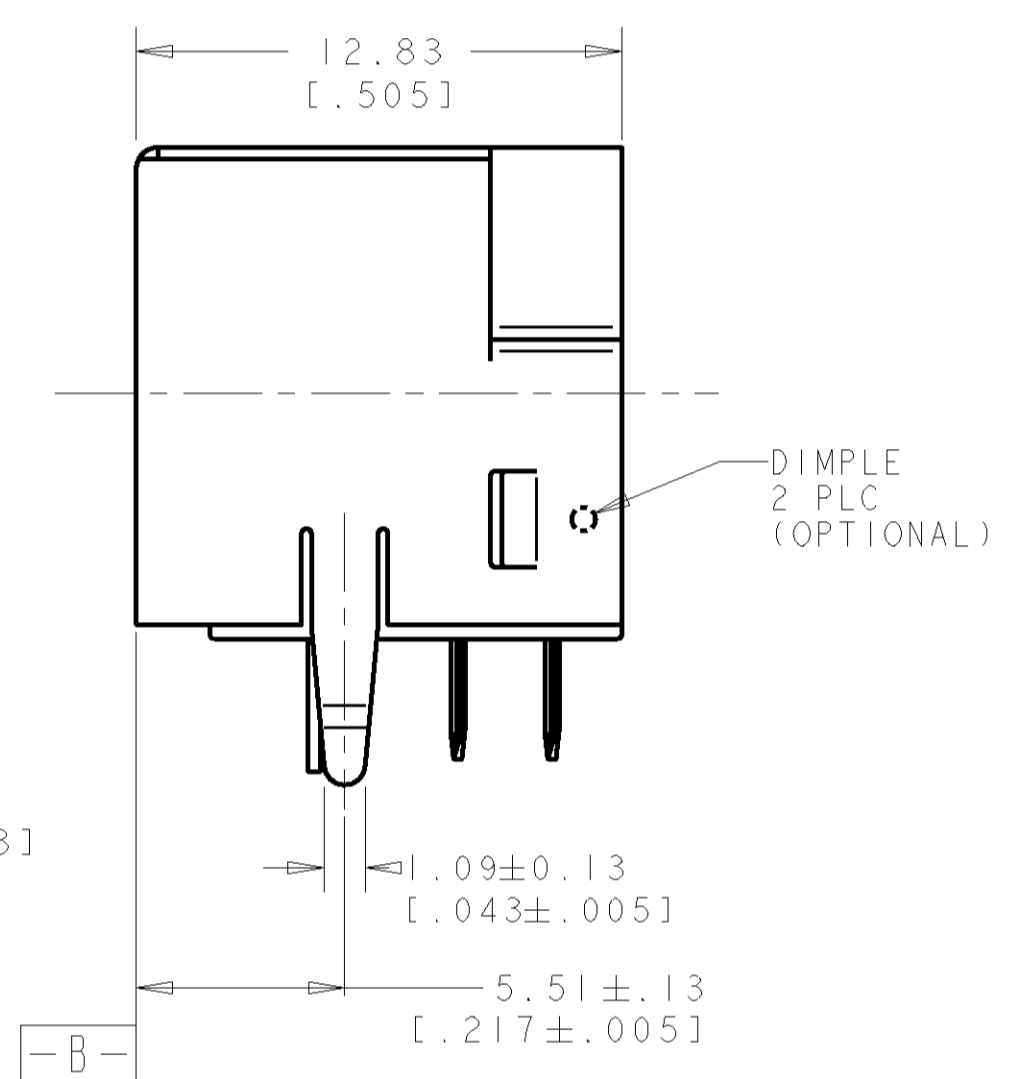
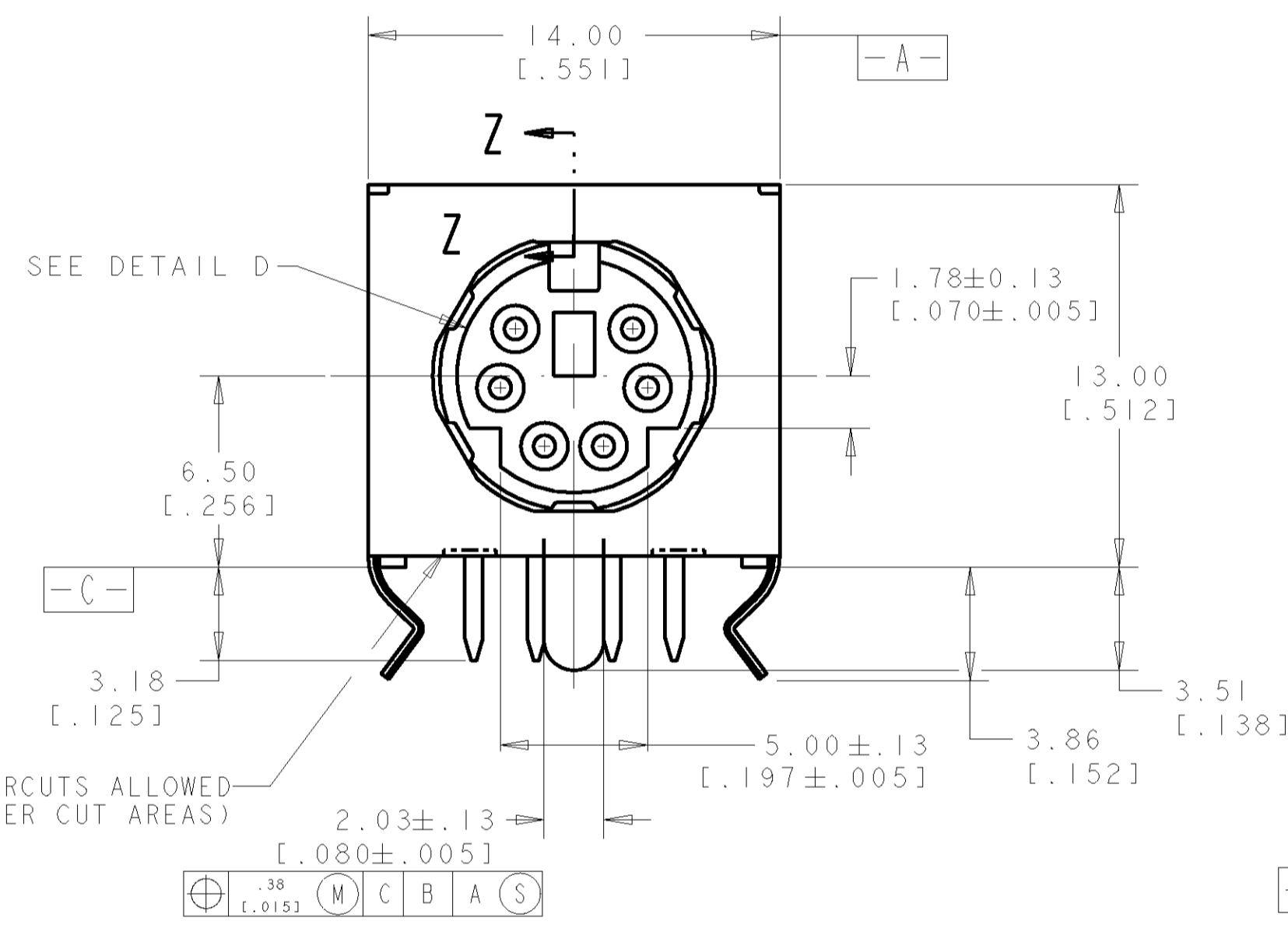


LOC	DIST	REVISIONS			
F	LTR	DESCRIPTION	DATE	DRN	APPR
A1		REVISED PER ECO-11-005139	19MAR11	RK	HMR



- △ RECEPTACLE CONTACTS: COPPER ALLOY.
RECEPTACLE SHIELD: COPPER ALLOY.
HOUSING: THERMOPLASTIC, BLACK, UL 94V-0 RATED.
- △ PLATING:
RECEPTACLE CONTACTS - GOLD PLATED .00076 MIN [.000030 MIN] THICK ON MATING END, MATTE-TIN PLATED .0030 MIN [.000120 MIN] THICK ON SOLDER TAIL ALL OVER .0013 MIN [.000050 MIN] THICK NICKEL.
- △ PLATING:
SHIELD: PRE-TIN PLATED
- 4. RECEPTACLE ASSEMBLY MATES WITH 6 PIN 9.00±.10 [.354±.004] DIAMETER PLUG.
- △ DATUMS AND BASIC DIMENSION SUPPLIED BY CUSTOMER.



ALL	5749180-1
POSITIONS LOADED	PART NO

DIMENSIONS: mm [INCHES]		TOLERANCES UNLESS OTHERWISE SPECIFIED:		DWG: WYLEE 28DEC2004	
0 PLC	±	1 PLC	±	DRN: SF LEONG	NAME: RECEPTACLE ASSY W/ HOLD DOWN, 6 POS RIGHT ANGLE, MINIATURE CIRCULAR DIN
2 PLC	±	3 PLC	±	APPR: SF LEONG	
4 PLC	±	5 PLC	±	PRODUCT SPEC: 108-1225	SIZE: A1
6 PLC	±	APPROX: ±0.381 [.015]	±	APPLICATION SPEC: -	
MATERIAL: △	FINISH: △△	WEIGHT: -	ANGLE: ±0°30'	CAGE CODE: 00779	DRAWING NO: C=5749180
CUSTOMER DRAWING				SCALE: 5:1	SHEET: 1 OF 1