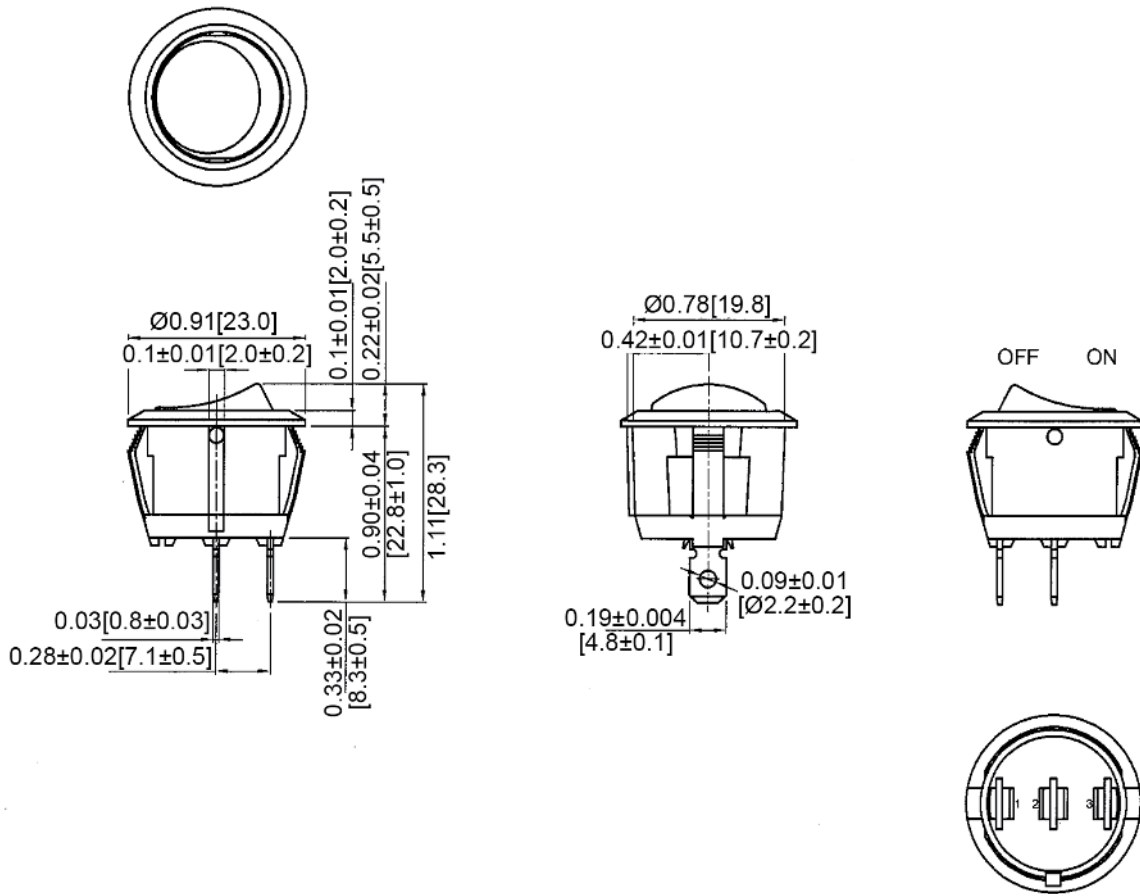
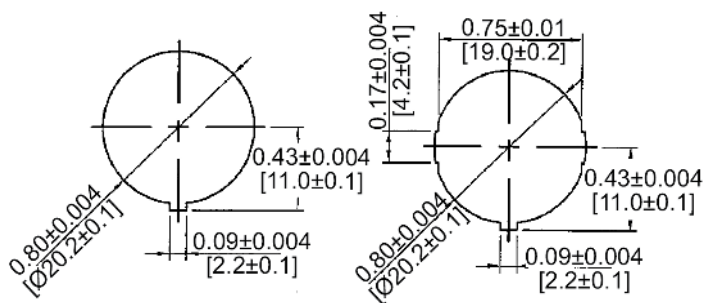


## Mechanical Dimensions: Inches [mm]

Tolerances  $\pm 0.012$  [0.3] Unless Otherwise Specified



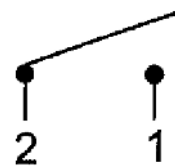
## Mounting Hole



Thickness:  $0.1 \sim 0.12$  [2.0  $\sim$  3.0] |  $0.03 \sim 0.12$  [0.7  $\sim$  3.0]

## Circuit Diagram

2P SPST OFF-ON



## Electrical Specifications

<b>Rating</b>	16A 125V AC, 10A 250V AC 10(4)A 125/250V AC
<b>Contact Resistance</b>	50m ohm Max
<b>Insulation Resistance</b>	DC 500V 100M ohm Min
<b>Dielectric Strength</b>	AC 1500V 1 minute
<b>Operation Temperature</b>	-25°C~85°C

## Material Specifications

<b>Frame</b>	Special White, Nylon 66 (94-V2)
<b>Actuator</b>	Special White, Nylon 66 (94-V2)
<b>Terminals</b>	Copper Alloy, Silver plating

# Rocker Switch

# RA1-1A-AC-2-H



Rev	Date of issue	Revision Notes	Designed	Approved
B	11-30-2021	Initial Drawing	RC	OF