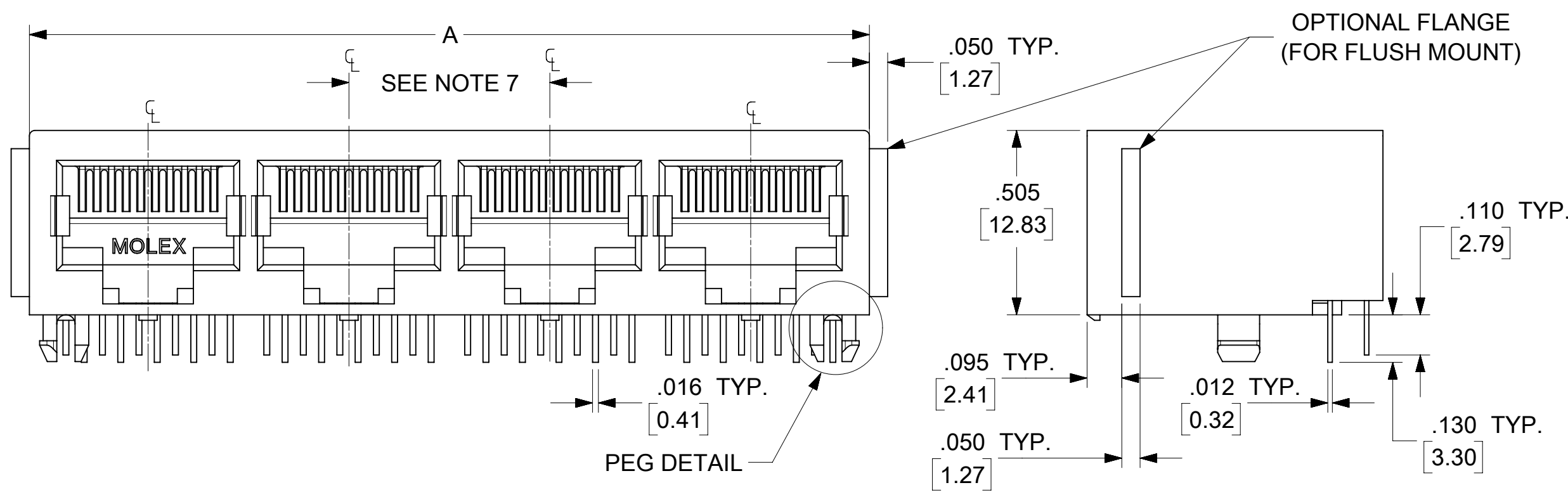


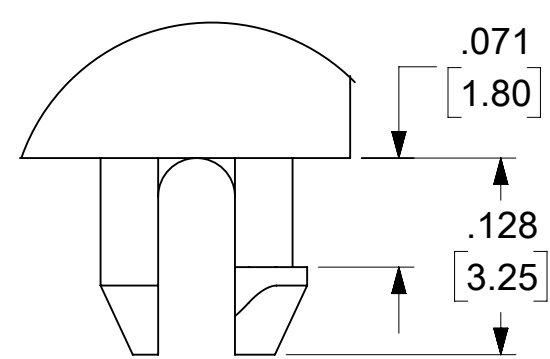
NOTES:

- 1) MATERIAL:  
HOUSING: GLASS FILLED NYLON, UL94V-0, COLOR: BLACK  
INSULATOR: GLASS FILLED NYLON, UL94V-0, COLOR: BLACK  
TERMINALS: PHOSPHOR BRONZE: .012/ 0.30 THICK
- 2) FINISH:  
TERMINALS:  
SELECT GOLD IN CONTACT AREA: 50 MICROINCHES/ 1.27 MICROMETERS MIN.,  
\*SELECT TIN IN PC TAIL AREA: 100 MICROINCHES/ 2.54 MICROMETERS MIN.,  
WITH OVERALL NICKEL UNDERPLATE: 50 MICROINCHES/ 1.27 MICROMETERS MIN.  
\*THE PRIMARY SHIPPING CARTON WILL BE LABELED "COMPLIANT TO RoHS DIRECTIVE 2002/95/EC AND ELV ANNEX II OF DIRECTIVE 2000/53/EC".  
CARTONS WITHOUT THIS LABEL MAY CONTAIN PRODUCT WITH TIN-LEAD IN THE PC TAIL AREA.
- 3) PRODUCT SPECIFICATION AND PROCESSING PARAMETERS: PS-43223-001.
- 4) PACKAGING SPECIFICATION:  
UNSHIELDED CONNECTOR ASSEMBLIES PACKAGED IN TRAYS PER MOLEX PACKAGING SPECIFICATION PK-43249-004.
- 5) SEE SHEETS 4-6 FOR P.C. BOARD LAYOUTS.
- 6) SEE SHEET 2 FOR THE SHIELDED JACK ASSEMBLY.
- 7) FOR 6 CIRCUIT JACKS CENTERLINE TO CENTERLINE SPACING IS .448/ 11.38, FOR 8 CIRCUIT JACKS CENTERLINE TO CENTERLINE SPACING IS .550/ 13.97.
- 8) ALL UNTOLERANCED DIMENSIONS ARE SHOWN FOR REFERENCE ONLY.
- 9) THIS PART CONFORMS TO CLASS B REQUIREMENTS OF COSMETIC SPECIFICATION PS-45499-002.

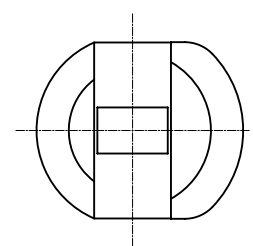


**4 PORT 8 LOADED  
10 JACK SHOWN**

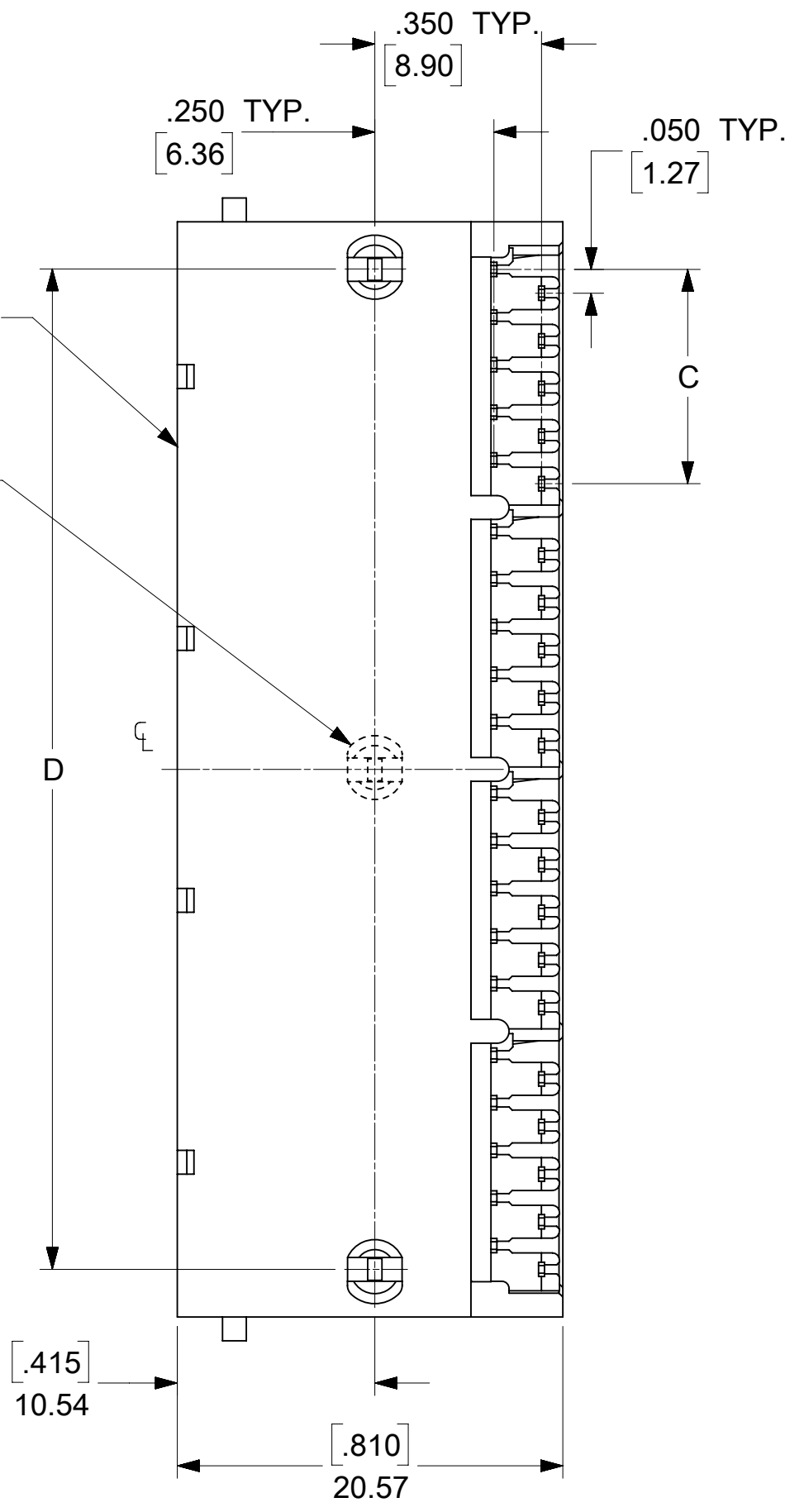
UNSHIELDED GANGED JACK ASSEMBLY  
SHEET 3



CENTER PEG  
(8 PORT ASSY. ONLY)



SNAP FIT  
PEG DETAIL  
SCALE 8:1



**6 CIRCUIT HOUSING**

CIRCUIT SIZE	NO. OF PORTS	DIM. A	DIM. C	DIM. D
6	2	.985 (25.02)	.250 (6.35)	.848 (21.54)
4	2	.985 (25.02)	.150 (3.81)	.848 (21.54)
2	2	.985 (25.02)	.050 (1.27)	.848 (21.54)
6	3	1.433 (36.40)	.250 (6.35)	1.296 (32.92)
4	3	1.433 (36.40)	.150 (3.81)	1.296 (32.92)
2	3	1.433 (36.40)	.050 (1.27)	1.296 (32.92)
6	4	1.881 (47.78)	.250 (6.35)	1.744 (44.30)
4	4	1.881 (47.78)	.150 (3.81)	1.744 (44.30)
2	4	1.881 (47.78)	.050 (1.27)	1.744 (44.30)
6	5	2.329 (59.16)	.250 (6.35)	2.192 (55.68)
4	5	2.329 (59.16)	.150 (3.81)	2.192 (55.68)
2	5	2.329 (59.16)	.050 (1.27)	2.192 (55.68)
6	6	2.777 (70.54)	.250 (6.35)	2.640 (67.06)
4	6	2.777 (70.54)	.150 (3.81)	2.640 (67.06)
2	6	2.777 (70.54)	.050 (1.27)	2.640 (67.06)
6	8	3.673 (93.29)	.250 (6.35)	3.536 (89.81)
4	8	3.673 (93.29)	.150 (3.81)	3.536 (89.81)
2	8	3.673 (93.29)	.050 (1.27)	3.536 (89.81)

**8 CIRCUIT HOUSING**

CIRCUIT SIZE	NO. OF PORTS	DIM. A	DIM. C	DIM. D
10	2	1.200 (30.48)	.450 (11.43)	1.000 (25.40)
8	2	1.200 (30.48)	.350 (8.89)	1.000 (25.40)
6	2	1.200 (30.48)	.250 (6.35)	1.000 (25.40)
10	3	1.750 (44.45)	.450 (11.43)	1.550 (39.37)
8	3	1.750 (44.45)	.350 (8.89)	1.550 (39.37)
6	3	1.750 (44.45)	.250 (6.35)	1.550 (39.37)
4	3	1.750 (44.45)	.150 (3.81)	1.550 (39.37)
10	4	2.300 (58.42)	.450 (11.43)	2.100 (53.34)
8	4	2.300 (58.42)	.350 (8.89)	2.100 (53.34)
4	4	2.300 (58.42)	.150 (3.81)	2.100 (53.34)
4	5	2.850 (72.39)	.150 (3.81)	2.650 (67.31)
10	5	2.850 (72.39)	.450 (11.43)	2.650 (67.31)
8	5	2.850 (72.39)	.350 (8.89)	2.650 (67.31)
10	6	3.400 (86.36)	.450 (11.43)	3.200 (81.28)
8	6	3.400 (86.36)	.350 (8.89)	3.200 (81.28)
10	8	4.500 (114.30)	.450 (11.43)	4.300 (109.22)
8	8	4.500 (114.30)	.350 (8.89)	4.300 (109.22)

THIS DRAWING CONTAINS INFORMATION THAT IS PROPRIETARY TO MOLEX ELECTRONIC TECHNOLOGIES, LLC AND SHOULD NOT BE USED WITHOUT WRITTEN PERMISSION

DIMENSION UNITS	SCALE	CURRENT REV DESC: REMOVED OBSOLETE PART NUMBER AS PER PCN#509457.
IN/MM	3:1	
GENERAL TOLERANCES (UNLESS SPECIFIED)		
	MM	INCH
4 PLACES	±	±
3 PLACES	±	± 0.015
2 PLACES	± 0.38	±
1 PLACE	±	±
0 PLACES	±	±
ANGULAR TOL	± 0.5 °	
DRAFT WHERE APPLICABLE MUST REMAIN WITHIN DIMENSIONS	THIRD ANGLE PROJECTION	DRAWING
		C-SIZE
		SERIES
		43223
		MATERIAL NUMBER
		SEE SHT 3
		CUSTOMER
		GENERAL MARKET
		SHEET NUMBER
		1 OF 6

EC NO: 680890  
DRWN: SANTHN 2021/06/18  
CHK'D: GGA 2021/11/25  
APPR: GGA 2021/11/25

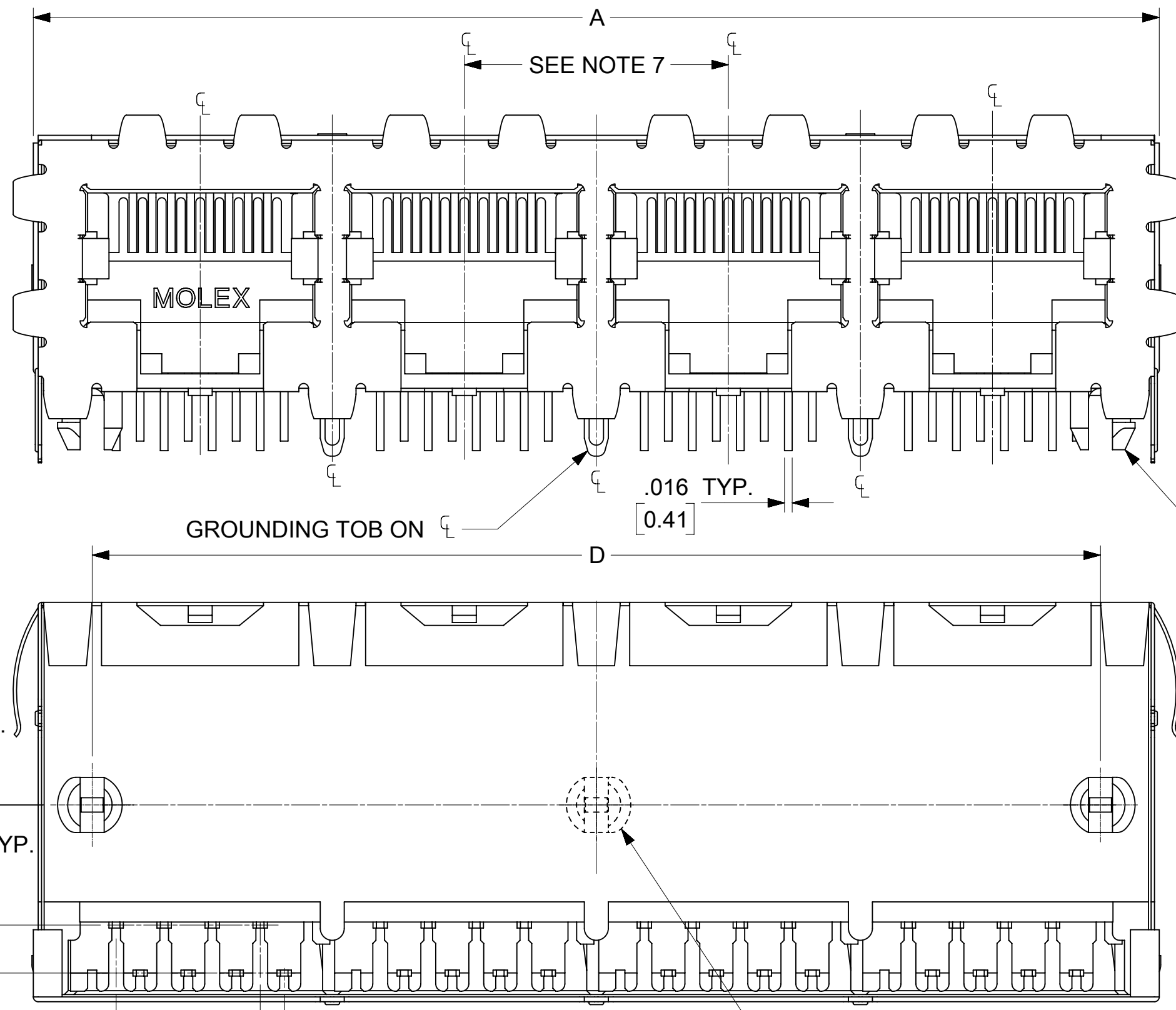
INITIAL REVISION:  
DRWN: JTR 1993/10/18  
APPR: RAS 1993/10/18

**molex**

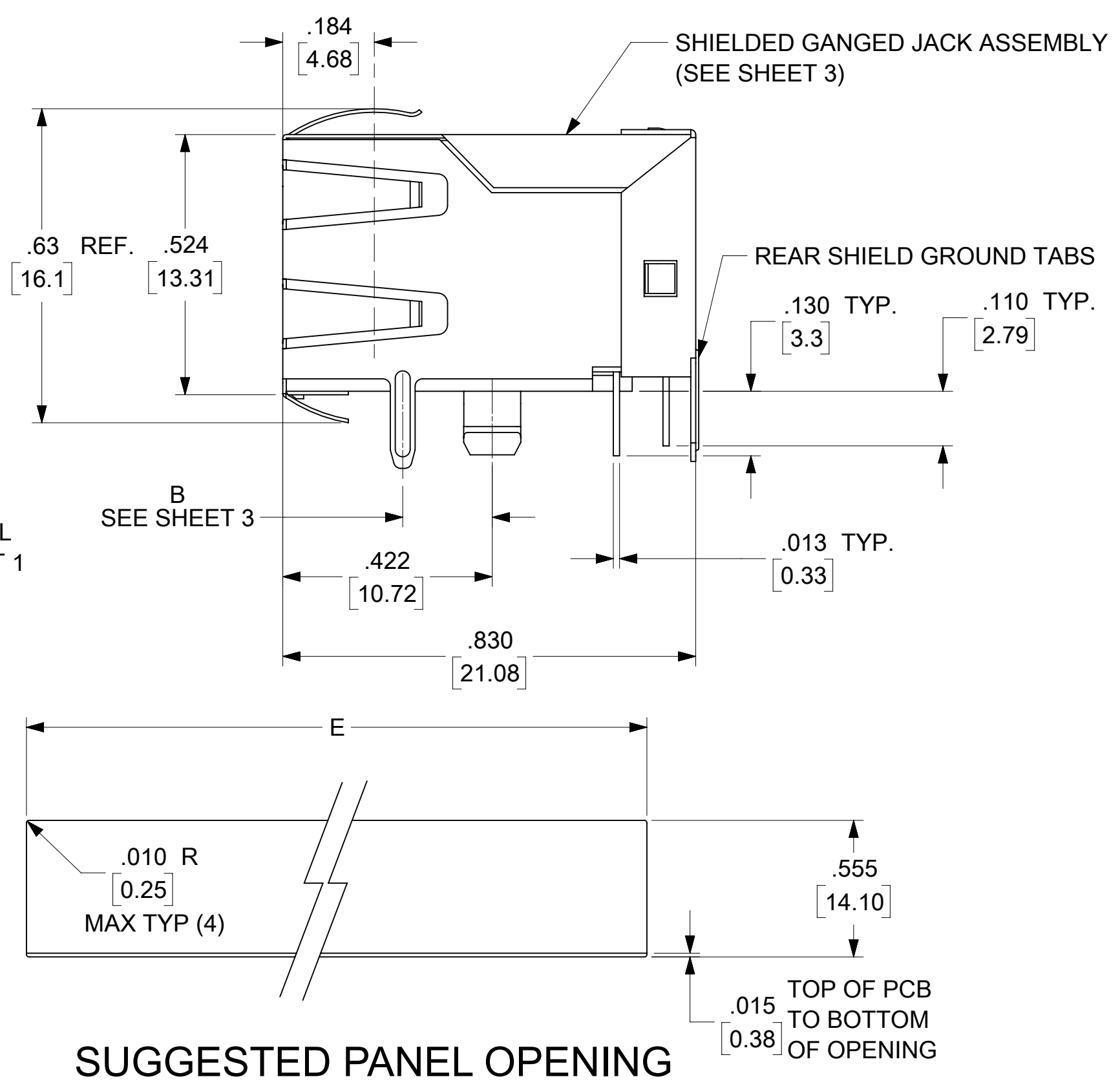
LOW PROFILE GANGED, RIGHT ANGLE MODULAR JACK ASSEMBLY

PRODUCT CUSTOMER DRAWING

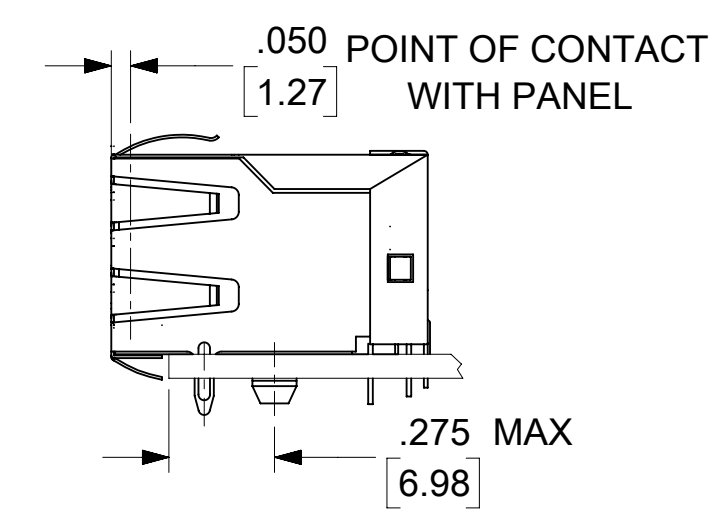
DOCUMENT NUMBER: SDA-43223  
DOC TYPE: PSD  
DOC PART: 001  
REVISION: L



PEG DETAIL  
SEE SHEET 1



SCALE : 2/1



**4 PORT 8 LOADED  
8 JACK SHOWN**

- NOTES:
- MATERIAL:**  
HOUSING: GLASS FILLED NYLON, UL94V-0, COLOR: BLACK  
INSULATOR: GLASS FILLED NYLON, UL94V-0, COLOR: BLACK  
TERMINALS: PHOSPHOR BRONZE: .012/ 0.30 THICK  
SHIELD: BRASS, FRONT .007/ 0.18 THICK, REAR .010/ 0.25 THICK
  - FINISH:**  
**TERMINALS:**  
SELECT GOLD IN CONTACT AREA: 50 MICRONS/ 1.27 MICROMETERS MIN.,  
\*SELECT TIN IN PC TAIL AREA: 100 MICRONS/ 2.54 MICROMETERS MIN.,  
WITH OVERALL NICKEL UNDERPLATE: 50 MICRONS/ 1.27 MICROMETERS MIN.  
**SHIELD:**  
\*100 MICRONS/ 2.54 MICROMETERS NICKEL OVER 50 MICRONS/ 1.27 MICROMETERS COPPER UNDERPLATE. PCB GROUND TABS DIPPED IN TIN  
\*THE PRIMARY SHIPPING CARTON WILL BE LABELED "COMPLIANT TO RoHS DIRECTIVE 2002/95/EC AND ELV ANNEX II OF DIRECTIVE 2000/53/EC".  
CARTONS WITHOUT THIS LABEL MAY CONTAIN PRODUCT WITH TIN-LEAD IN THE PC TAIL AND/OR SHIELD.
  - PRODUCT SPECIFICATION AND PROCESSING PARAMETERS:** PS-43223-001.
  - PACKAGING SPECIFICATION:**  
SHIELDED CONNECTOR ASSEMBLIES PACKAGED IN TRAYS PER MOLEX PACKAGING SPECIFICATION PK-44150-004.
  - SEE SHEETS 4-6 FOR P.C. BOARD LAYOUTS.
  - REAR SHIELD IS AVAILABLE WITH (1) CENTERED GROUND TAB ON 4 & 8 PORT VERSIONS.
  - 8 CIRCUIT JACKS CENTERLINE TO CENTERLINE SPACING IS .550/ 13.97.
  - ALL UNTOLERANCED DIMENSIONS ARE SHOWN FOR REFERENCE ONLY.
  - THIS PART CONFORMS TO CLASS B REQUIREMENTS OF COSMETIC SPECIFICATION PS-45499-002.

HOUSING SIZE	CIRCUIT SIZE	NO. OF PORTS	DIM. A	DIM. C	DIM. D	DIM. E
8	8	2	1.224 (31.09)	.350 (8.89)	1.000 (25.40)	1.255 (31.88)
8	8	4	2.324 (59.03)	.350 (8.89)	2.100 (53.34)	2.355 (59.82)
8	8	6	3.424 (86.97)	.350 (8.89)	3.200 (81.28)	3.455 (87.76)
8	8	8	4.524 (114.91)	.350 (8.89)	4.300 (109.22)	4.555 (115.97)
8	2	8	4.524 (114.91)	.050 (1.27)	4.300 (109.22)	4.555 (115.97)

THIS DRAWING CONTAINS INFORMATION THAT IS PROPRIETARY TO MOLEX ELECTRONIC TECHNOLOGIES, LLC AND SHOULD NOT BE USED WITHOUT WRITTEN PERMISSION

DIMENSION UNITS <b>IN/MM</b>	SCALE <b>4:1</b>	CURRENT REV DESC: REMOVED OBSOLETE PART NUMBER AS PER PCN#509457.	<b>molex</b>		
GENERAL TOLERANCES (UNLESS SPECIFIED)		EC NO: 680890			
4 PLACES ±	±	DRWN: SANTHN	PRODUCT CUSTOMER DRAWING		
3 PLACES ±	± 0.015	CHK'D: GGA	DOCUMENT NUMBER	DOC TYPE	DOC PART
2 PLACES ±	± 0.38	APPR: GGA	<b>SDA-43223</b>	PSD	001
1 PLACE ±	±	INITIAL REVISION:	SHEET NUMBER	2 OF 6	
0 PLACES ±	±	DRWN: JTR	MATERIAL NUMBER	CUSTOMER	
ANGULAR TOL ± 0.5 °		APPR: RAS	SEE SHT 3	GENERAL MARKET	
DRAFT WHERE APPLICABLE MUST REMAIN WITHIN DIMENSIONS	THIRD ANGLE PROJECTION	DRAWING	3		
		SERIES	<b>43223</b>		

## FLANGELESS (SHIELDED)

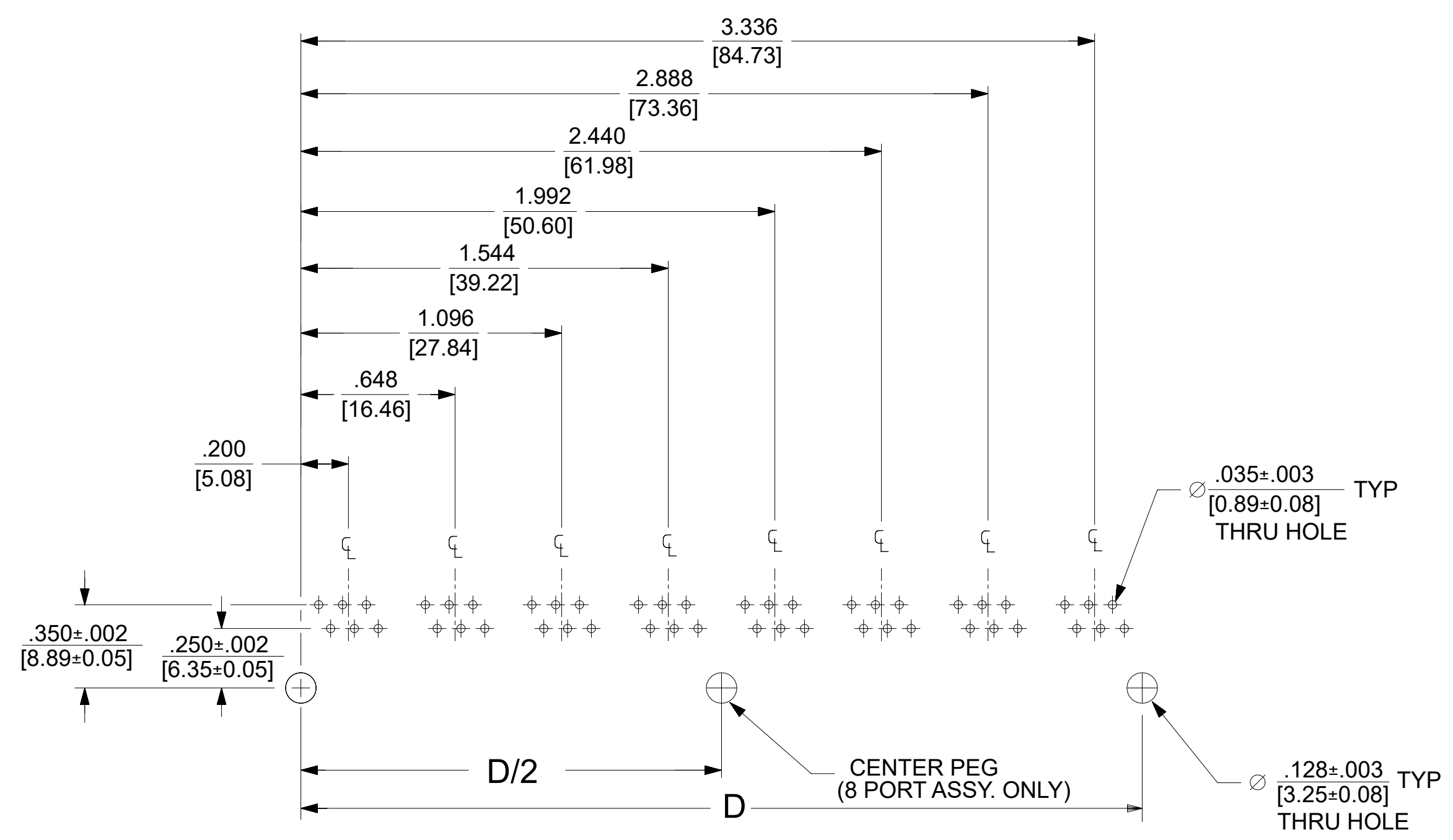
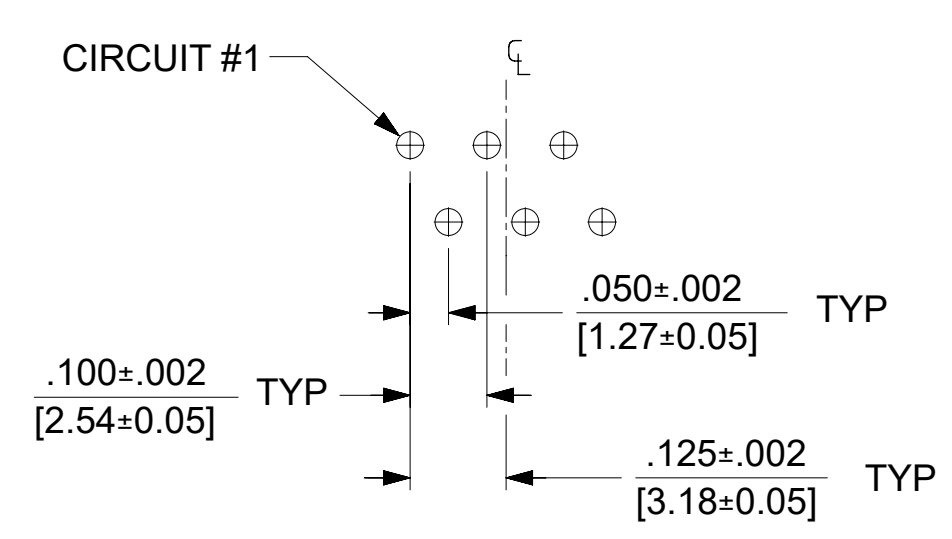
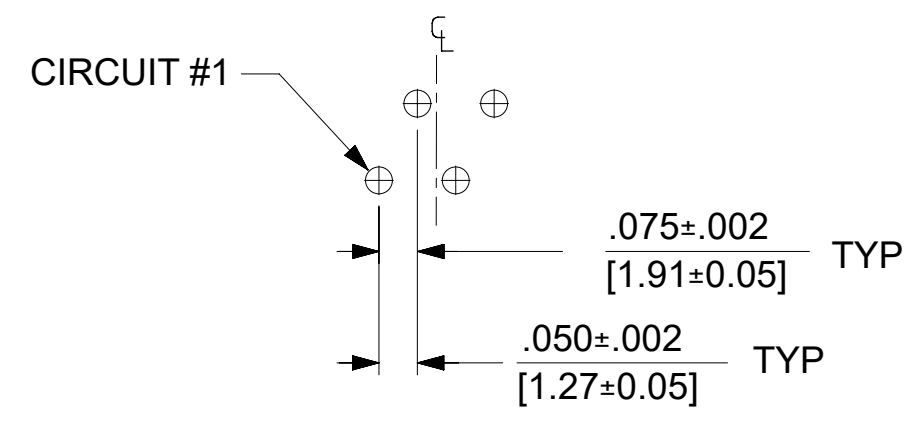
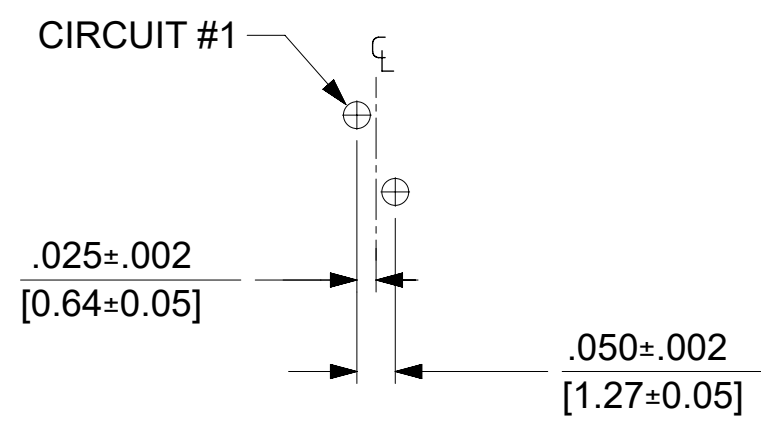
ASSEMBLY NUMBER	DIMENSION "B"	CONNECTOR SIZE	NUMBER OF CIRCUITS	NUMBER OF PORTS	NUMBER OF REAR SHIELD GROUND TABS	PACKAGING STYLE	PACKAGING SPECIFICATION
43223-8128	.180	8	8	2	1	TRAY	PK-44150-004
43223-8146	.180	8	8	4	3	↑	↑
43223-8164	.180	8	8	6	5	↑	↑
43223-8182	.180	8	8	8	7	↓	↓
43223-8185	.180	8	8	8	1	↓	↓
43223-8194	.180	8	2	8	7	TRAY	PK-44150-004
43223-8307	.145	8	2	8	7	TRAY	PK-44150-004

## FLANGELESS (UNSHIELDED)

ASSEMBLY NUMBER	CONNECTOR SIZE	NUMBER OF CIRCUITS	NUMBER OF PORTS	PACKAGING STYLE	PACKAGING SPECIFICATION
43223-6101	6	6	2	TRAY	PK-43249-004
43223-6107	6	6	4	↑	↑
43223-6113	6	6	6	↑	↑
43223-6122	6	4	2		
43223-6128	6	4	4		
43223-6140	6	4	8		
43223-6155	6	2	6	↓	↓
43223-6158	6	2	8	TRAY	PK-43249-004
43223-8122	8	8	2	TRAY	PK-43249-004
43223-8140	8	8	4	↑	↑
43223-8158	8	8	6	↓	↓
43223-8176	8	8	8	TRAY	PK-43249-004

## SNAP FIT PEG VERSIONS

THIS DRAWING CONTAINS INFORMATION THAT IS PROPRIETARY TO MOLEX ELECTRONIC TECHNOLOGIES, LLC AND SHOULD NOT BE USED WITHOUT WRITTEN PERMISSION									
DIMENSION UNITS <b>IN/MM</b>		SCALE <b>2:1</b>		CURRENT REV DESC: REMOVED OBSOLETE PART NUMBER AS PER PCN#509457.			<b>molex</b>		
GENERAL TOLERANCES (UNLESS SPECIFIED)				EC NO: 680890					
		MM	INCH	DRWN: SANTHN 2021/06/18			LOW PROFILE GANGED, RIGHT ANGLE MODULAR JACK ASSEMBLY		
4 PLACES		±	±	CHK'D: GGA 2021/11/25					
3 PLACES		±	± 0.015	APPR: GGA 2021/11/25			PRODUCT CUSTOMER DRAWING		
2 PLACES		± 0.38	±	INITIAL REVISION:			DOCUMENT NUMBER		
1 PLACE		±	±	DRWN: JTR 1993/10/18			SDA-43223		
0 PLACES		±	±	APPR: RAS 1993/10/18			PSD 001 L		
ANGULAR TOL		± 0.5 °		THIRD ANGLE PROJECTION			MATERIAL NUMBER		
DRAFT WHERE APPLICABLE MUST REMAIN WITHIN DIMENSIONS				DRAWING			CUSTOMER		
				C-SIZE			SHEET NUMBER		
				SERIES			SEE SHT 3		
				43223			GENERAL MARKET		
							3 OF 6		



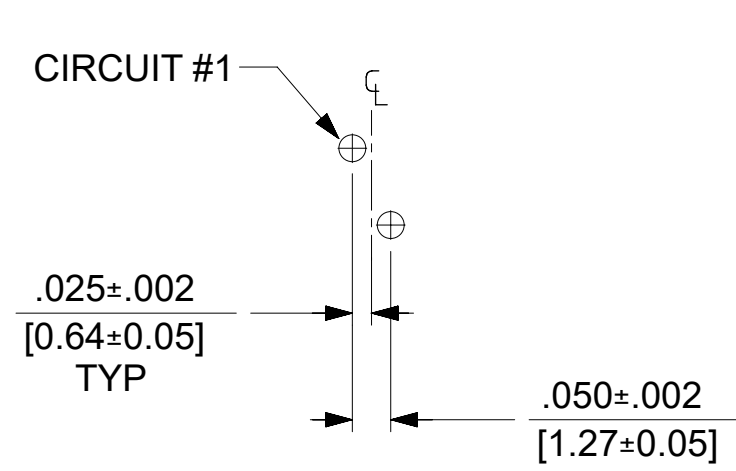
**SUGGESTED P.C. BOARD LAYOUT**  
**COMPONENT SIDE OF BOARD**  
**8 PORT, 6 LOADED 6, LAYOUT SHOWN**  
**(SNAP-FIT VERSIONS)**

NOTES:  
 1. RECOMMENDED PCB THICKNESS: .062±.005/(1.57±0.13)

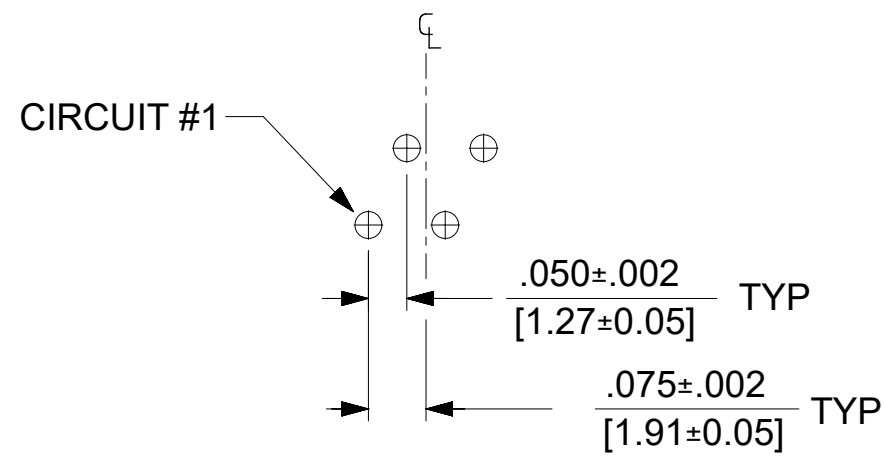
NUMBER OF PORTS	DIM. D
2	.848 (21.54)
3	1.296 (32.92)
4	1.744 (44.30)
5	2.192 (55.68)
6	2.640 (67.06)
8	3.536 (89.81)

THIS DRAWING CONTAINS INFORMATION THAT IS PROPRIETARY TO MOLEX ELECTRONIC TECHNOLOGIES, LLC AND SHOULD NOT BE USED WITHOUT WRITTEN PERMISSION

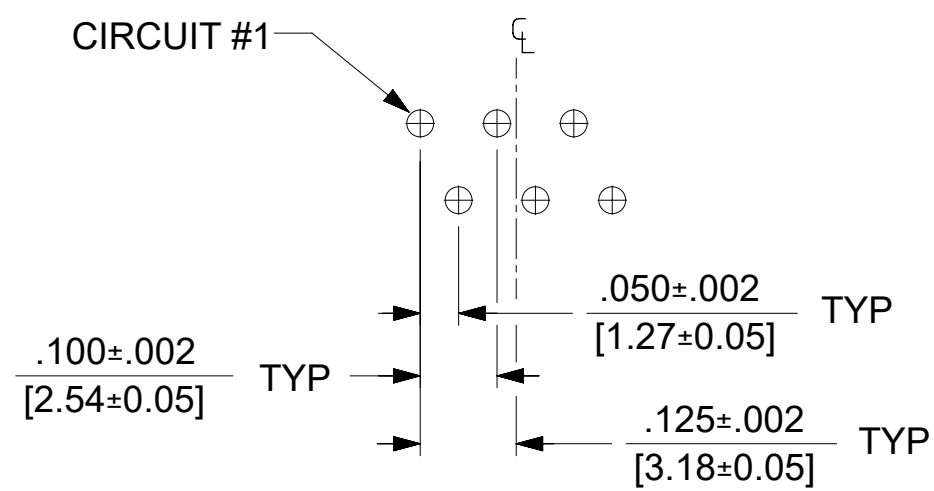
DIMENSION UNITS	SCALE	CURRENT REV DESC: REMOVED OBSOLETE PART NUMBER AS PER PCN#509457.	<b>molex</b>		
IN/MM	2:1				
GENERAL TOLERANCES (UNLESS SPECIFIED)			LOW PROFILE GANGED, RIGHT ANGLE MODULAR JACK ASSEMBLY		
	MM	INCH	PRODUCT CUSTOMER DRAWING		
4 PLACES	±	±	EC NO: 680890		
3 PLACES	±	± 0.015	DRWN: SANTHN 2021/06/18		
2 PLACES	± 0.38	±	CHK'D: GGA 2021/11/25		
1 PLACE	±	±	APPR: GGA 2021/11/25		
0 PLACES	±	±	INITIAL REVISION:		
ANGULAR TOL	± 0.5 °		DRWN: JTR 1993/10/18		
DRAFT WHERE APPLICABLE MUST REMAIN WITHIN DIMENSIONS			APPR: RAS 1993/10/18		
THIRD ANGLE PROJECTION			DRAWING	SERIES	DOCUMENT NUMBER
C-SIZE			43223	SDA-43223	DOC TYPE DOC PART REVISION
MATERIAL NUMBER			CUSTOMER	SHEET NUMBER	
SEE SHT 3			GENERAL MARKET	4 OF 6	



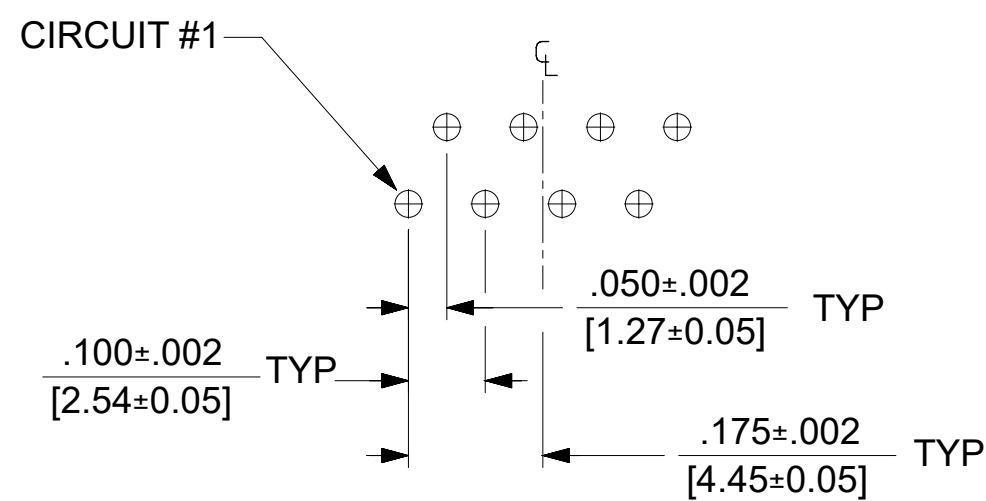
8 LOADED 2 DETAIL  
SCALE: 4/1



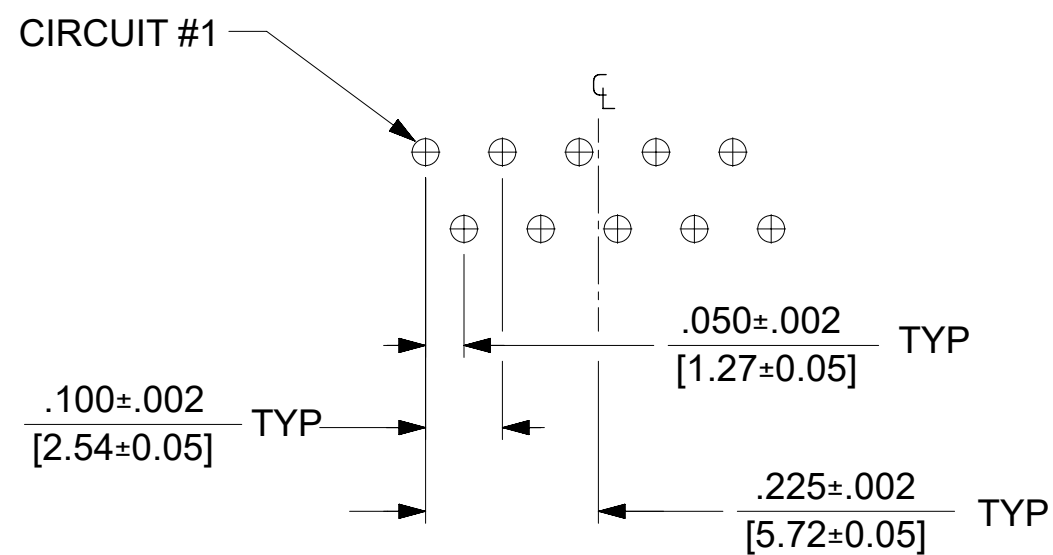
8 LOADED 4 DETAIL  
SCALE: 4/1



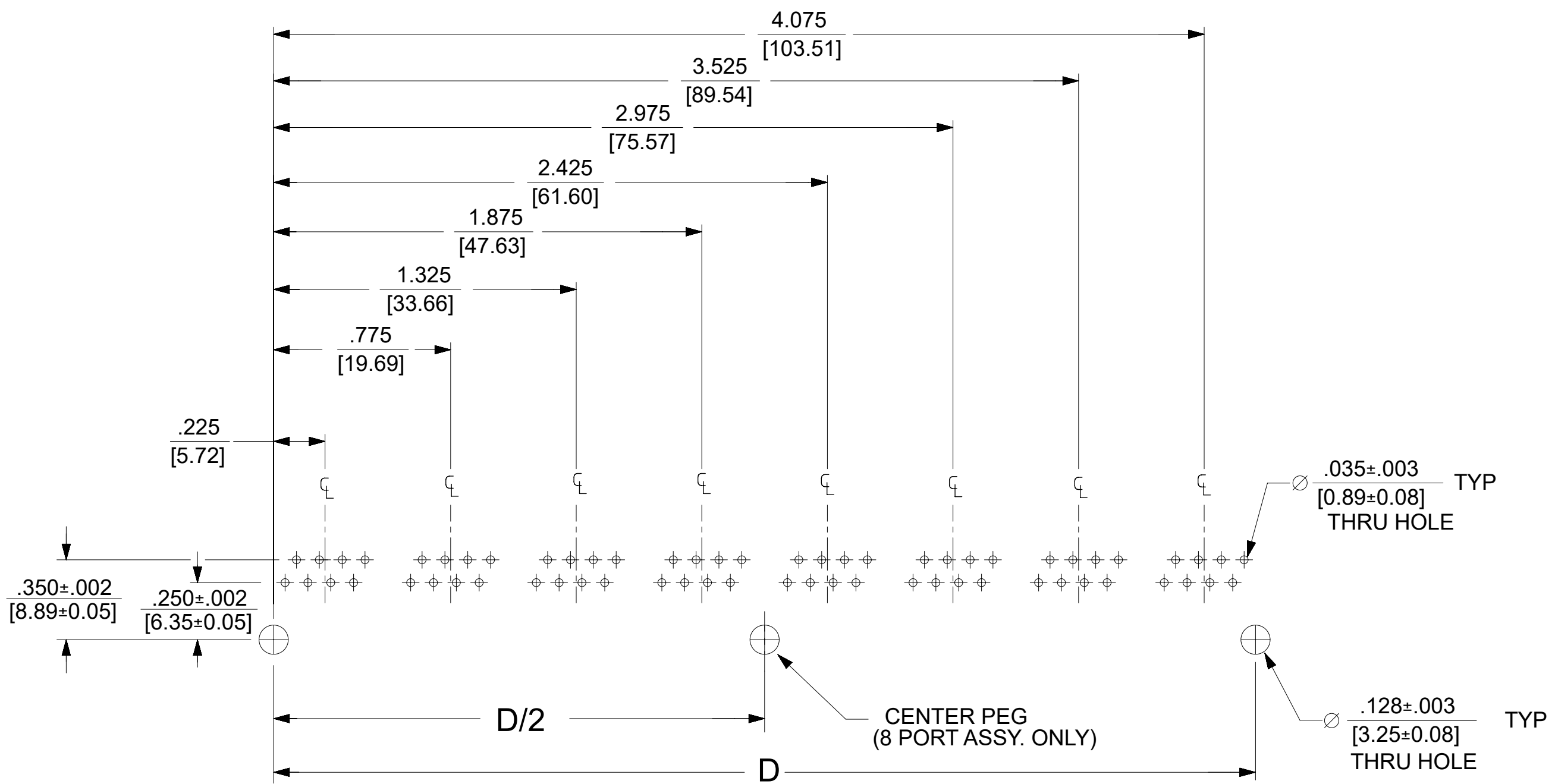
8 LOADED 6 DETAIL  
SCALE: 4/1



8 LOADED 8 DETAIL  
SCALE: 4/1



8 LOADED 10 DETAIL  
SCALE: 4/1



**SUGGESTED P.C. BOARD LAYOUT  
COMPONENT SIDE OF BOARD  
8 PORT, 8 LOADED 8  
(SNAP-FIT VERSIONS)**

NOTES:  
1. RECOMMENDED PCB THICKNESS: .062±.005/(1.57±0.13)

NUMBER OF PORTS	DIM. D
2	1.000 (25.40)
3	1.550 (39.37)
4	2.100 (53.34)
5	2.650 (67.31)
6	3.200 (81.28)
8	4.300 (109.32)

THIS DRAWING CONTAINS INFORMATION THAT IS PROPRIETARY TO MOLEX ELECTRONIC TECHNOLOGIES, LLC AND SHOULD NOT BE USED WITHOUT WRITTEN PERMISSION									
DIMENSION UNITS <b>IN/MM</b>		SCALE <b>2:1</b>		CURRENT REV DESC: REMOVED OBSOLETE PART NUMBER AS PER PCN#509457.					
GENERAL TOLERANCES (UNLESS SPECIFIED)				MM		INCH		EC NO: 680890	
4 PLACES		±		±		±		DRWN: SANTHN 2021/06/18	
3 PLACES		±		±		± 0.015		CHK'D: GGA 2021/11/25	
2 PLACES		±		0.38		±		APPR: GGA 2021/11/25	
1 PLACE		±		±		±		INITIAL REVISION:	
0 PLACES		±		±		±		DRWN: JTR 1993/10/18	
ANGULAR TOL		±		0.5 °		±		APPR: RAS 1993/10/18	
DRAFT WHERE APPLICABLE MUST REMAIN WITHIN DIMENSIONS				THIRD ANGLE PROJECTION		DRAWING		SERIES	
				C-SIZE		43223		MATERIAL NUMBER	
								CUSTOMER	
								SHEET NUMBER	
								5 OF 6	

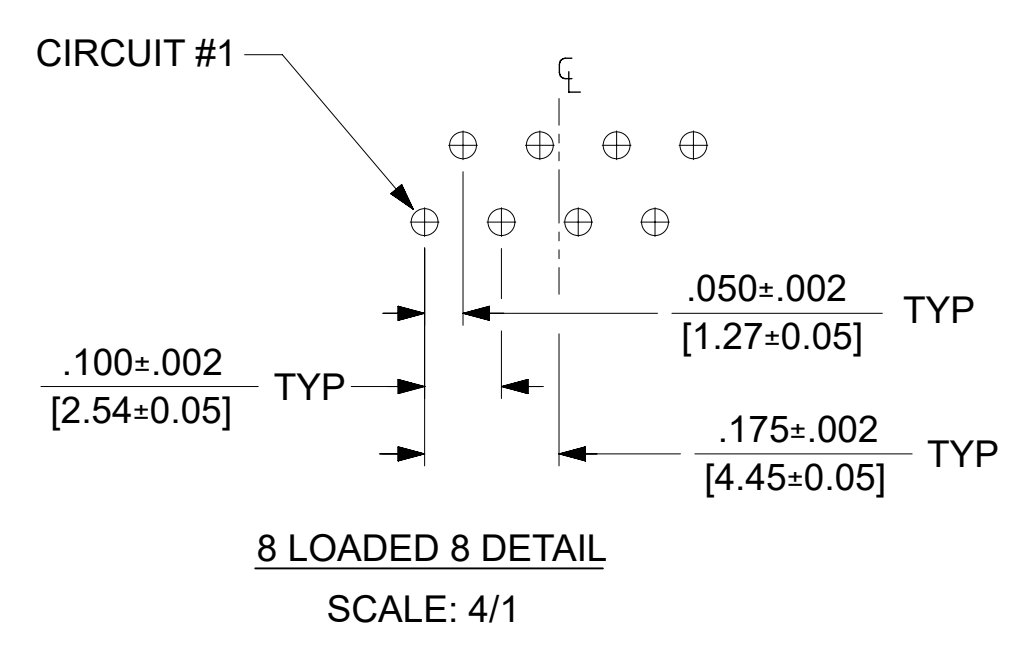
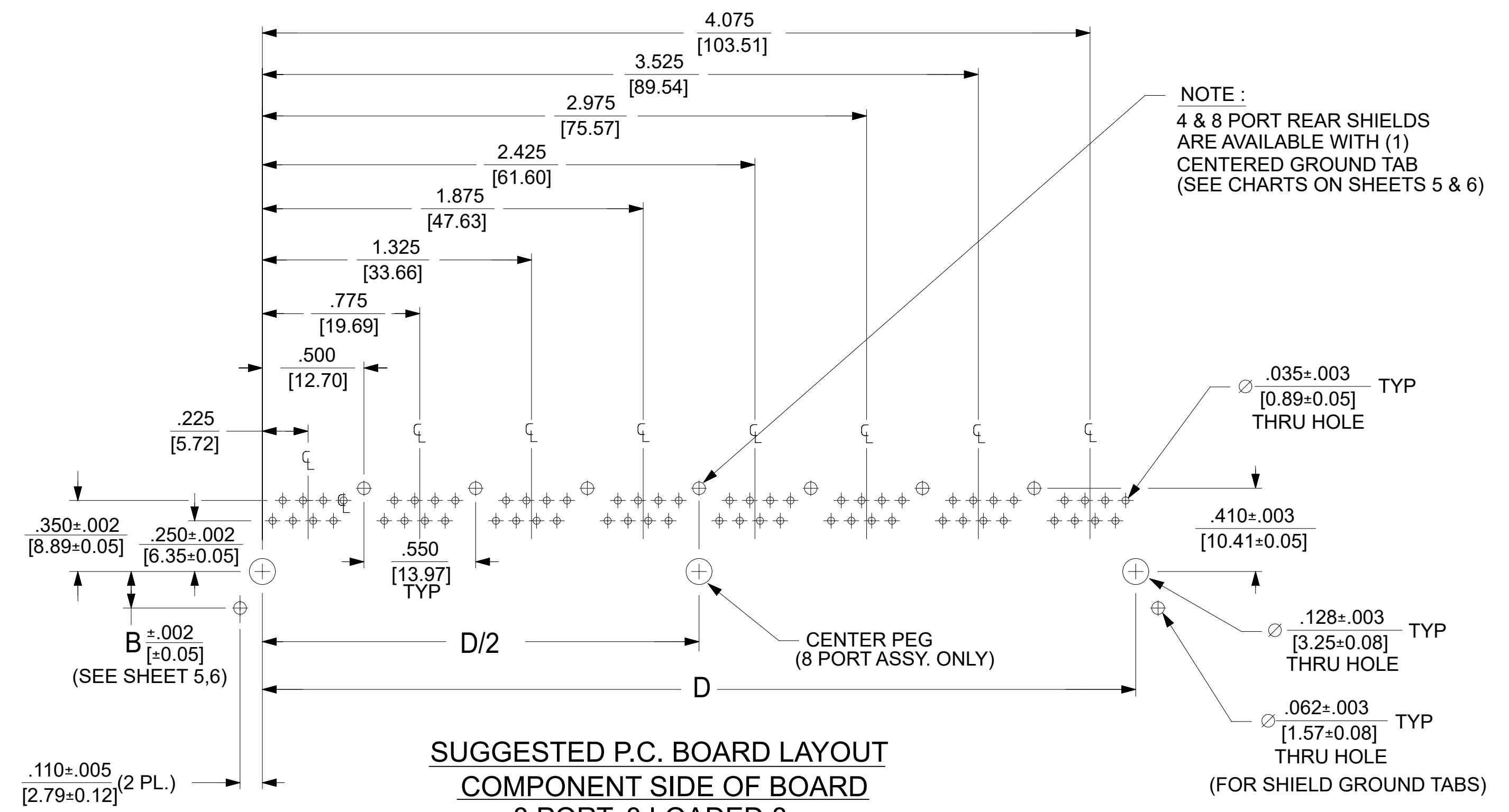
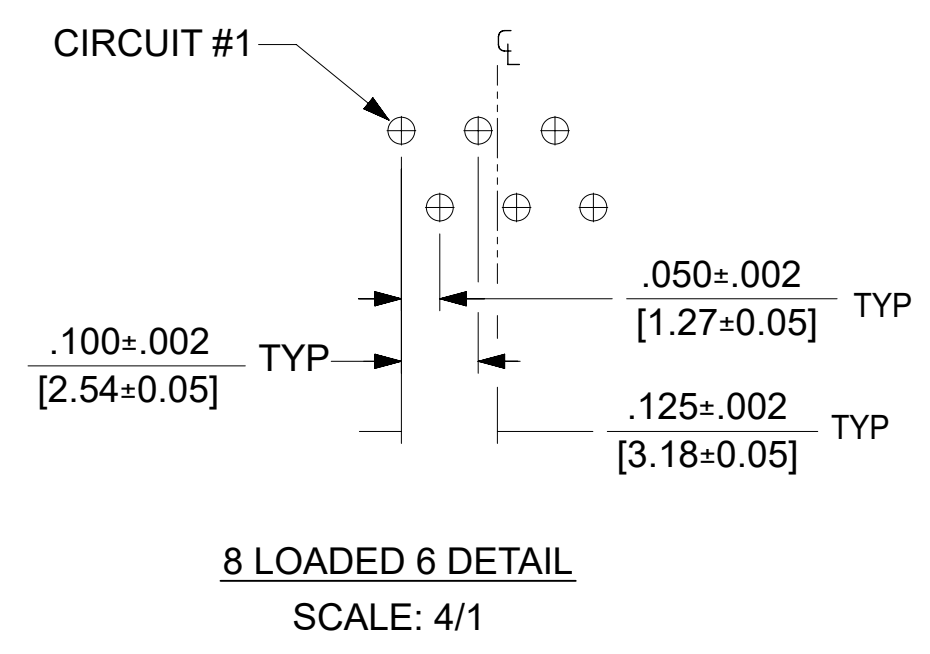
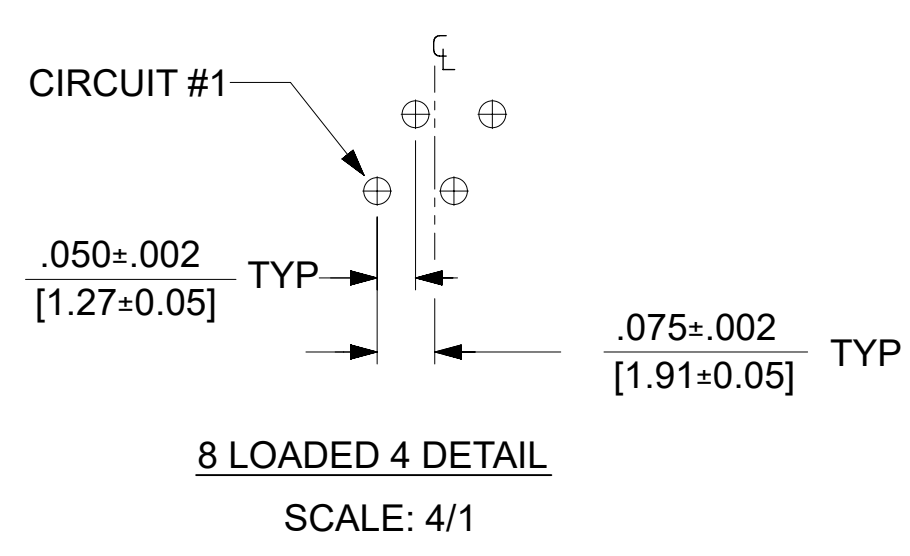
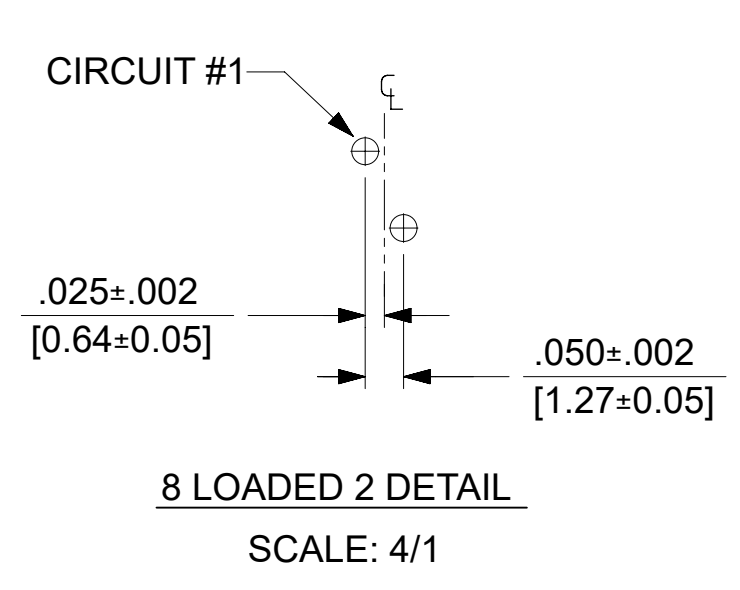
**molex**

LOW PROFILE GANGED,  
RIGHT ANGLE MODULAR JACK ASSEMBLY

PRODUCT CUSTOMER DRAWING

DOCUMENT NUMBER: **SDA-43223** | DOC TYPE: PSD | DOC PART: 001 | REVISION: L

SEE SHT 3 | GENERAL MARKET



NOTES:  
1. RECOMMENDED PCB THICKNESS: .062±.005/(1.57±0.13)

NUMBER OF PORTS	DIM. D
2	1.000 (25.40)
4	2.100 (53.34)
6	3.200 (81.28)
8	4.300 (109.32)

THIS DRAWING CONTAINS INFORMATION THAT IS PROPRIETARY TO MOLEX ELECTRONIC TECHNOLOGIES, LLC AND SHOULD NOT BE USED WITHOUT WRITTEN PERMISSION									
DIMENSION UNITS <b>IN/MM</b>		SCALE <b>2:1</b>		CURRENT REV DESC: REMOVED OBSOLETE PART NUMBER AS PER PCN#509457.					
GENERAL TOLERANCES (UNLESS SPECIFIED)				EC NO: 680890		2021/06/18			
4 PLACES ±		±		DRWN: SANTHN		2021/11/25			
3 PLACES ±		± 0.015		CHK'D: GGA		2021/11/25			
2 PLACES ±		0.38 ±		APPR: GGA		2021/11/25			
1 PLACE ±		±		INITIAL REVISION:					
0 PLACES ±		±		DRWN: JTR		1993/10/18			
ANGULAR TOL ± 0.5 °		± 0.5 °		APPR: RAS		1993/10/18			
DRAFT WHERE APPLICABLE MUST REMAIN WITHIN DIMENSIONS			THIRD ANGLE PROJECTION		DRAWING		SERIES		
					<b>C-SIZE</b>		<b>43223</b>		
DOCUMENT NUMBER				DOC TYPE		DOC PART		REVISION	
<b>SDA-43223</b>				<b>PSD</b>		<b>001</b>		<b>L</b>	
MATERIAL NUMBER			CUSTOMER			SHEET NUMBER			
SEE SHT 3			GENERAL MARKET			6 OF 6			