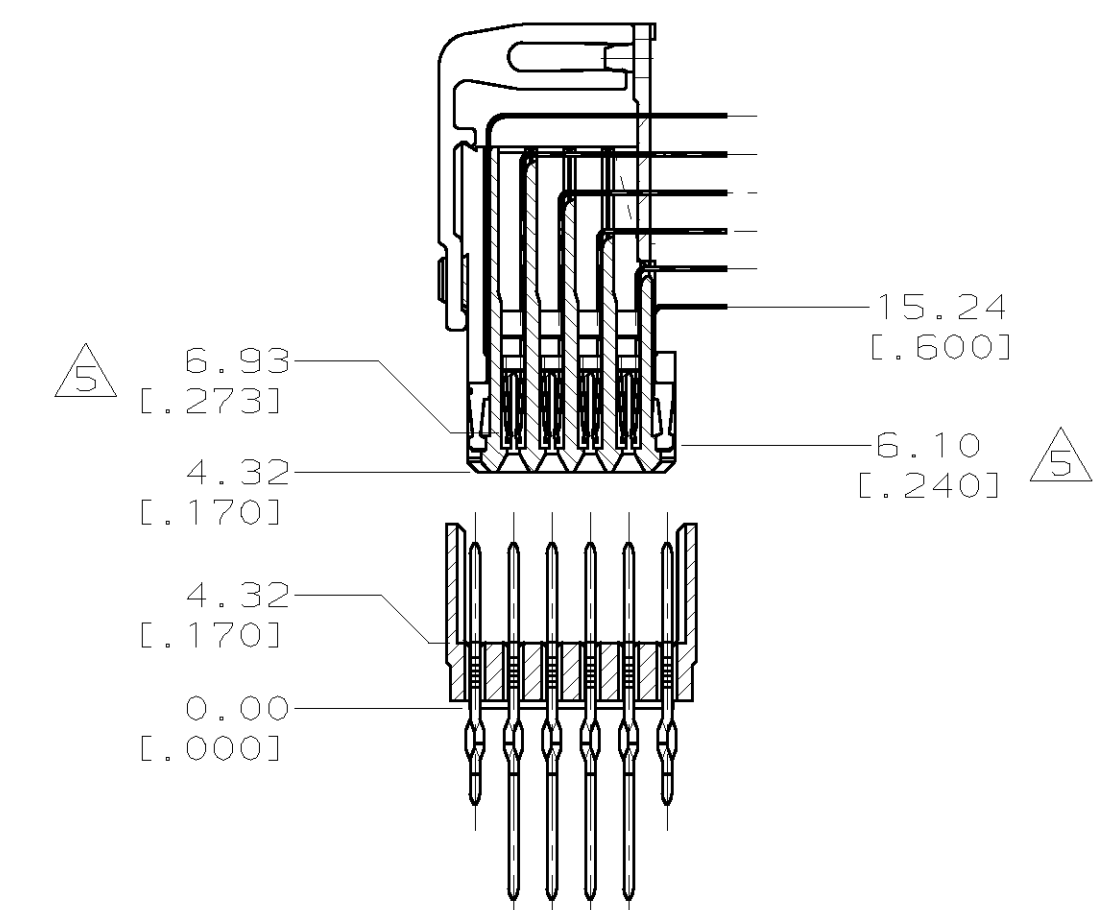
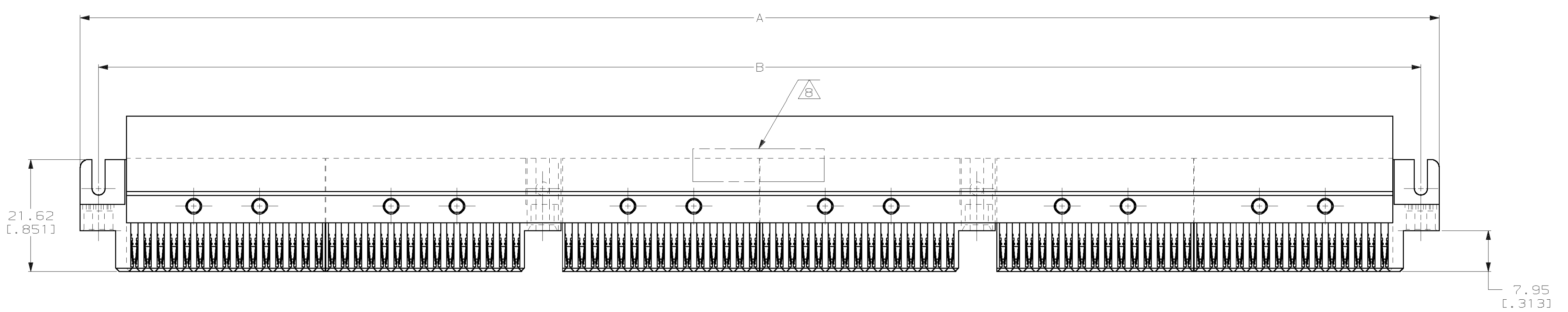
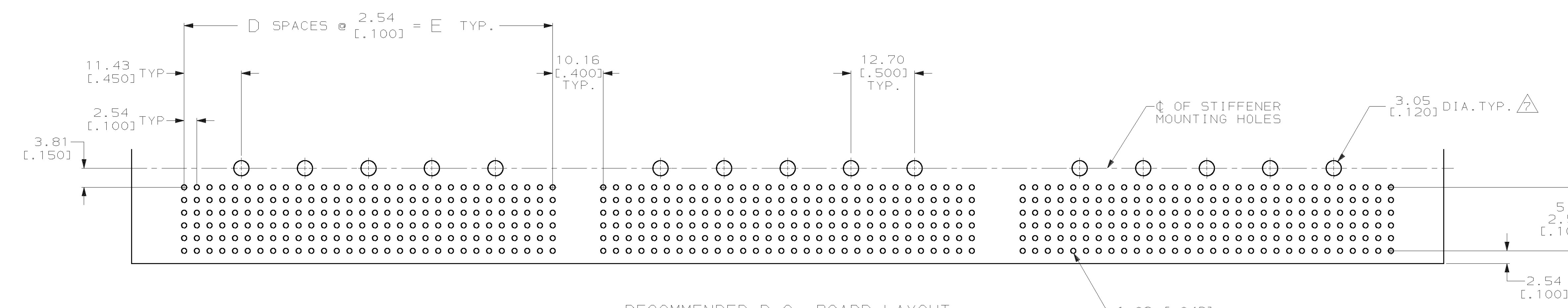
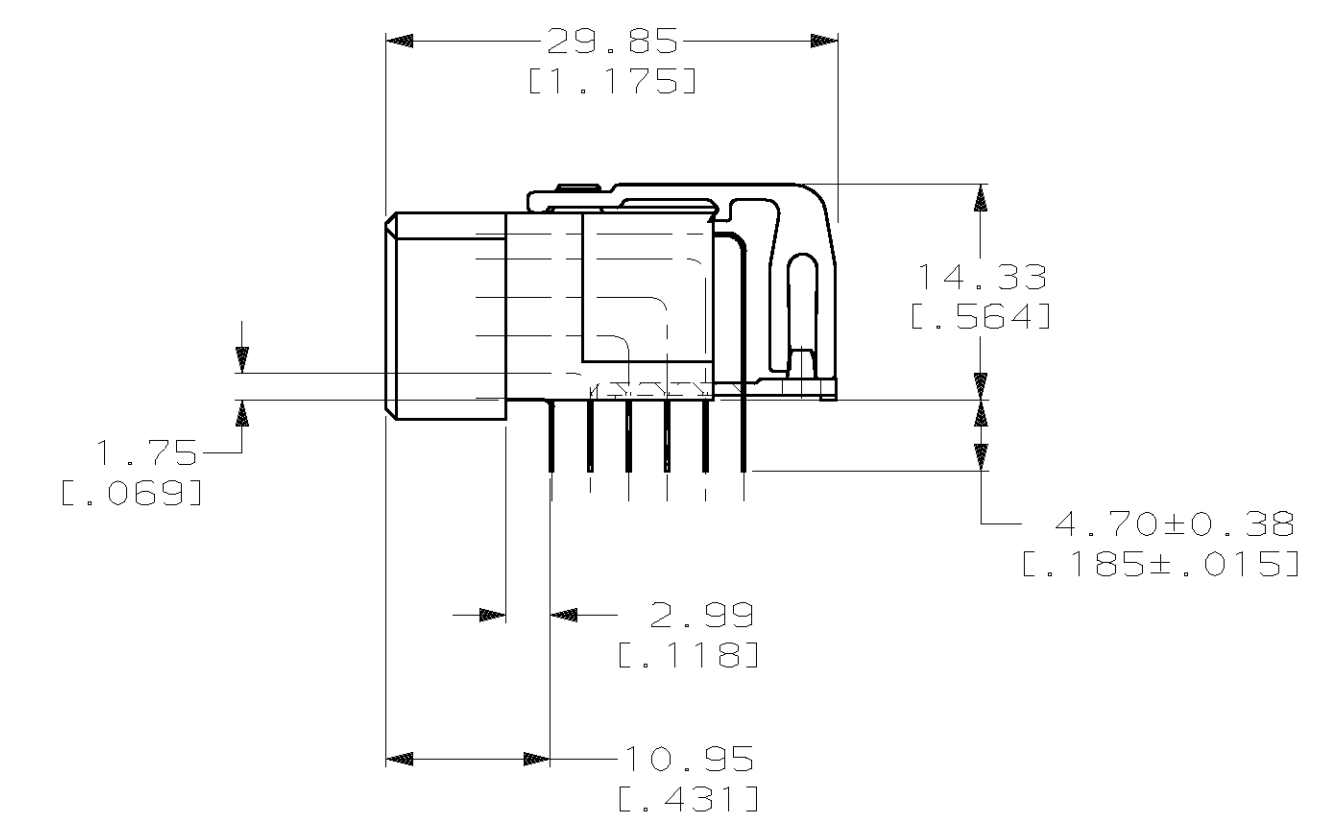
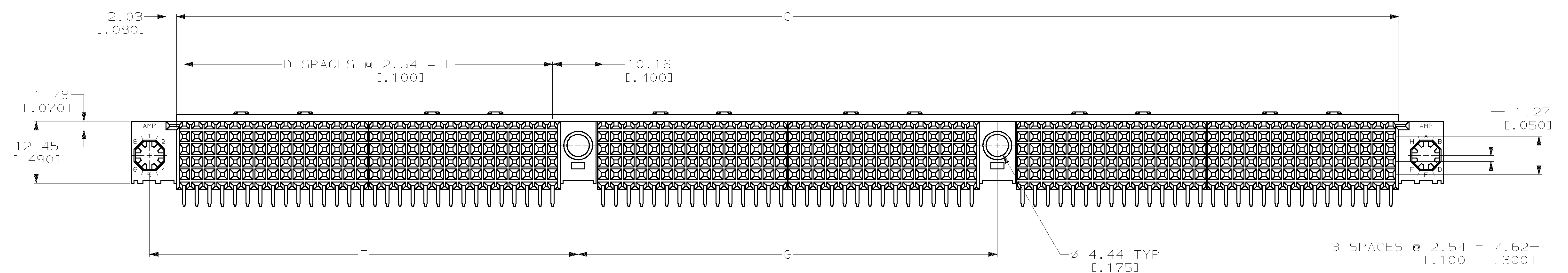


LOC		DIST		REV		ZONE		LTR		REVISIONS		DATE	APPD	
AD	25	P	F							DESCRIPTION				
										E	PER EC 0010-1534-95	T.S.	6-19-97	GS
										F	REV PER EC 001B-0015-01		25 JAN 01	WM



MATING DIMENSIONS REFERENCE



RECOMMENDED P.C. BOARD LAYOUT

- ① HOUSING MATERIAL: GLASS FILLED POLYESTER, COLOR: BLACK.
- ② CONTACT MATERIAL: COPPER ALLOY.
- ③ STIFFENER MATERIAL: ALUMINUM.
- ④ CONTACT FINISH: 0.00127 [.000050] NICKEL UNDERPLATE ALL OVER. 0.00076 [.000030] GOLD PLATE IN CONTACT AREAS. TIN-LEAD PLATE ON TAILS.
- ⑤ FINAL MATING POSITION OF RECEPTACLE CONTACT TINES.
- 6. GUIDE PINS AND KEYS SOLD SEPARATELY.
- ⑦ RECOMMENDED MOUNTING SCREW IS A BINDING HEAD #2 THREAD FORMING TYPE AB THREADS; STAINLESS STEEL. MAXIMUM SPACING OF 38.10 [1.500] INCHES.
- ⑧ AMP, AMP PART NUMBER AND DATE CODE MARKED IN THIS APPROXIMATE AREA.

121.92 [4.800]	123.82 [4.875]	111.76 [4.400]	44	358.75 [14.124]	369.57 [14.550]	377.19 [14.850]	810	650363-2
109.22 [4.300]	111.12 [4.375]	99.06 [3.900]	39	320.65 [12.624]	331.47 [13.050]	339.09 [13.350]	720	650363-1
L	K	E	D	C	B	A	POSN	PART NUMBER

DO NOT SCALE PRINT. UNLESS SPECIFIED DIMENSIONS IN mm [INCHES] TOLERANCES ON: 2 PLC DEC ± - 3 PLC DEC ± 0.13 [.005] ANGLES ± -	DR 05/29/91 R.K. SEIFRIED/UTA CHK 11-9-92 T. SHUEY APPD 11-9-92 T. SHUEY APPD 11-9-92 T. SHUEY	AMP Incorporated Harrisburg, PA 17105-3508
MATERIAL ① ② ③	PRODUCT SPEC -	
FINISH ④	APPLICATION SPEC -	NAME TBC PLUS MODULAR, 6 ROW, TWO GUIDE PINS, RECEPTACLE ASSEMBLY
	SCALE 2:1	SIZE D CAGE CODE 00779 DRAWING NO 650363 SHEET 1 OF 1