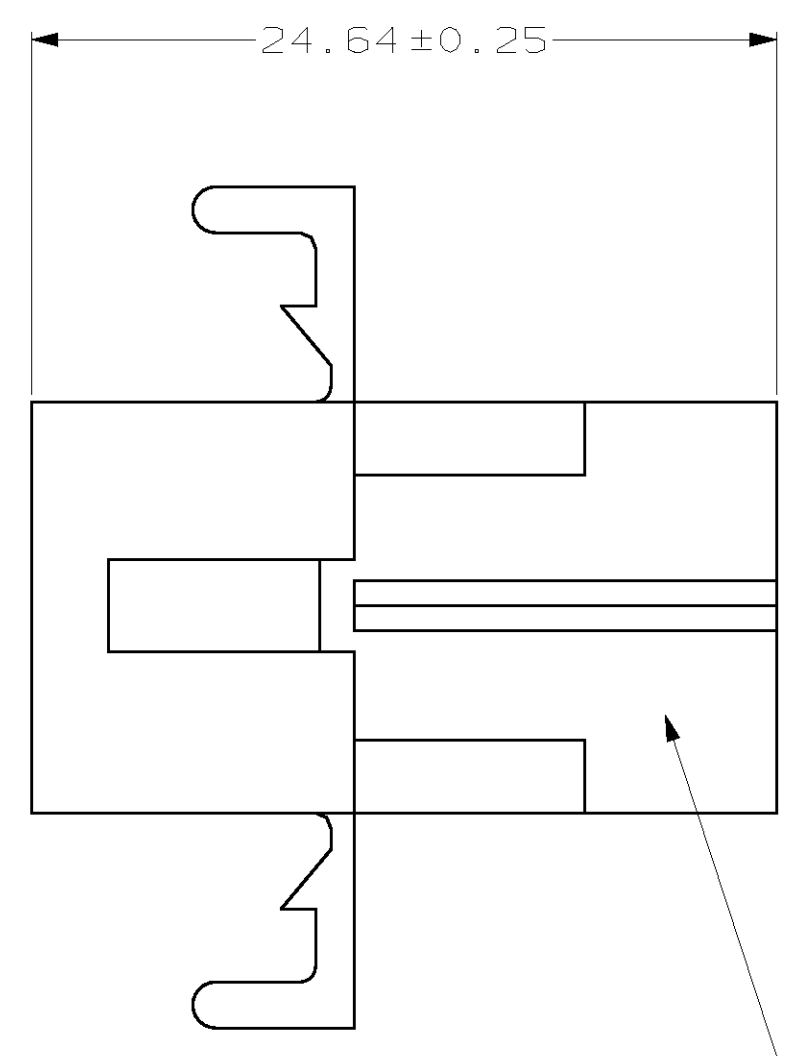
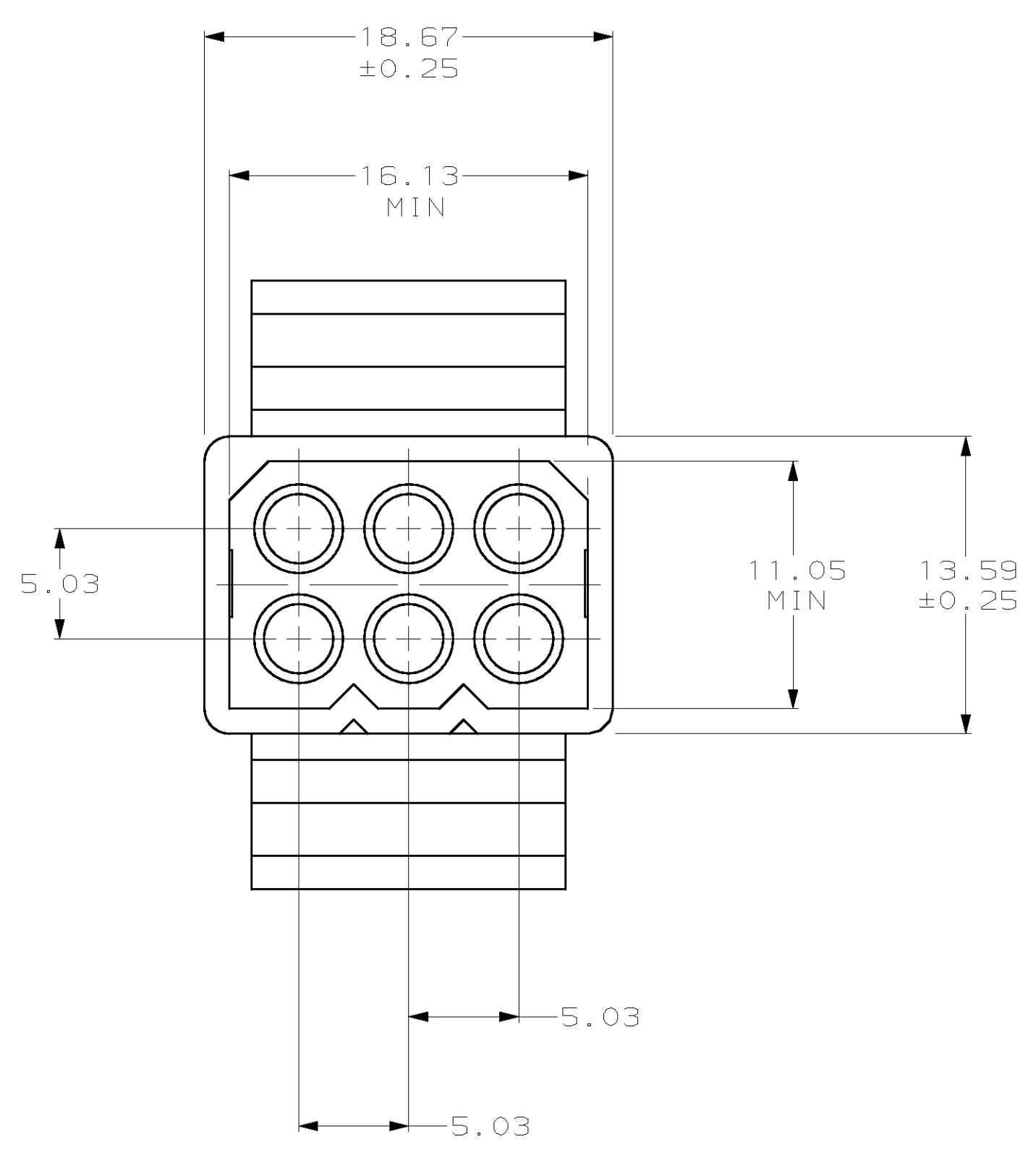
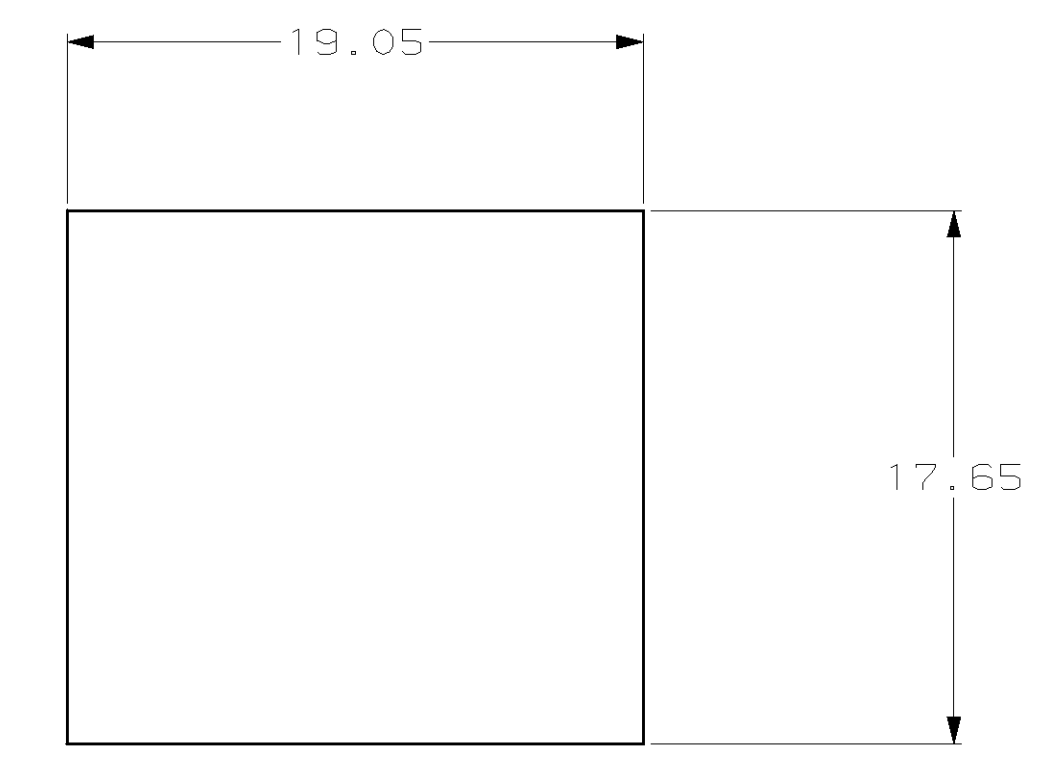
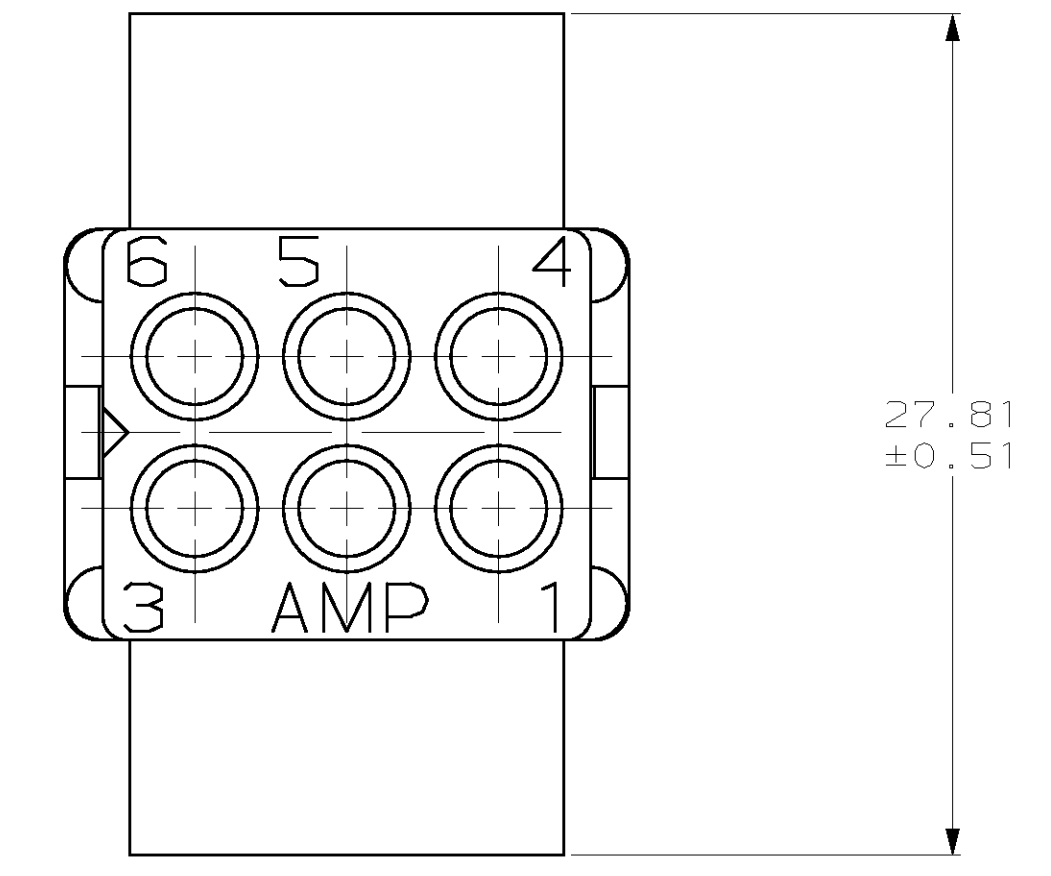


LOC		QTY		REVISIONS			
CM	53	TR	LYR	DESCRIPTION	DATE	DWN	APVD
		F		REV AND RDWN PER CM OL30-0119-97	6-03-97	KW	RS

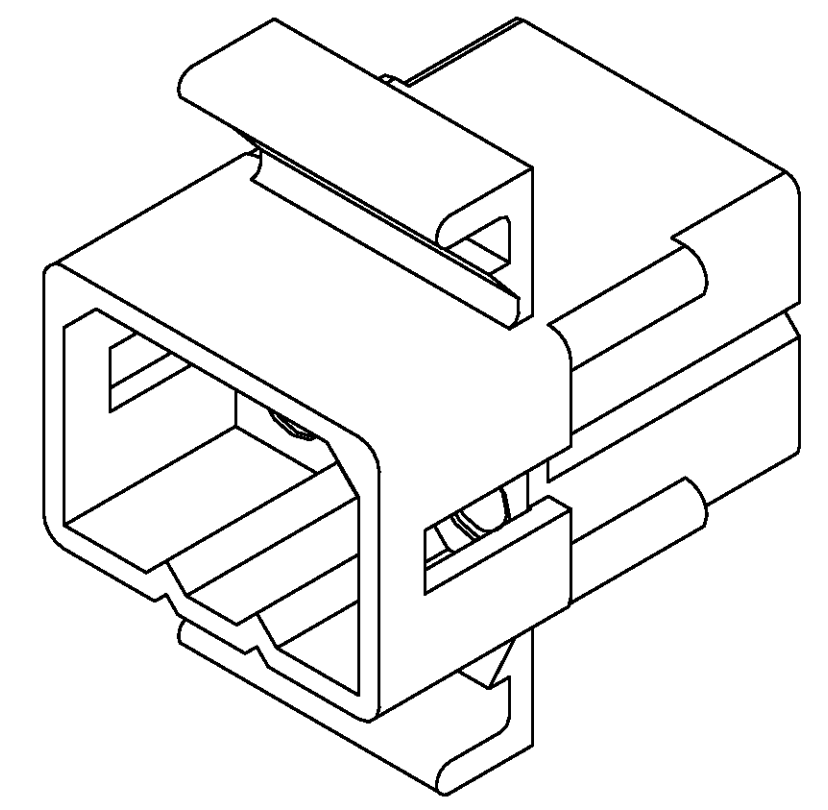
1 MARKING FOR UL LOGO AND CSA LOGO LOCATED APPROXIMATELY AS SHOWN.



1 OPPOSITE SIDE OPTIONAL



RECOMMENDED CUT OUT FOR 2.29 MAX THICK PANEL



3-DIMENSIONAL MODEL NTS

MM	IN	MM	IN
11.05	.435	27.81	1.095
5.03	.198	24.64	.970
2.36	.093	19.05	.750
2.29	.090	18.67	.735
0.51	.020	17.65	.695
0.25	.010	16.13	.635
0.13	.005	13.59	.535
MM	IN	MM	IN

CONVERSION TABLE

770089-1  
 PART NUMBER



THIS DRAWING IS A CONTROLLED DOCUMENT.

DIMENSIONS:	TOLERANCES UNLESS OTHERWISE SPECIFIED:	DWN	K. WHITAKER	6-03-97
mm	0.13	CHK	R. SWING	6-03-97
0.13	0.005	APVD	G. CASH	6-03-97
0.005	0.002	PRODUCT SPEC		
0.002	0.001	APPLICATION SPEC		
0.001	0.0005	HEIGHT		
0.0005	0.0002	CUSTOMER DRAWING		

MATERIAL: NYLON, UL 94V-2, NATURAL FINISH: -

AMP Incorporated  
 Harrisburg, PA 17105-3608

PLUG, 6 CIRCUIT, .093 COMMERCIAL PIN AND SOCKET

SIZE: A1 SCALE: 4:1 SHEET: 1 OF 1 REV: F