



# Bridgelux® H6 Array

Product Data Sheet DS80



# Introduction

H Series



H Series™, an ultra-high lumen density COB product line, is designed for high intensity spotlights used in commercial and retail settings. H series arrays offer industry leading color over angle uniformity, and replace ceramic metal halide lamps by providing equal or greater center beam candle power at lower power and at greater lifetimes. Their tight beam control and exceptional quality of light is well suited for demanding directional spot applications.

H Series LEDs are available in a variety of CCT and CRI combinations, including Décor Series Class A, a revolutionary advancement in lighting designed to match how humans perceive and prefer light, and Décor Series Ultra. Décor Series Ultra offers a high CRI of 97 and emphasizes reds and color tones to which the human eye is most receptive. Typical applications for H Series LEDs include but are not limited to commercial and residential down lights, accent, spot & track lights.

## Features

- Market-leading flux density
- Center beam candle power comparable to ceramic metal halides
- Uniform, high-quality illumination
- Small point LED source
- Minimum 80, 90, 95 CRI and Class A options
- ENERGY STAR®/ANSI compliant color binning structure with 2SDCM and 3SDCM options

## Benefits

- Enhanced optical control
- Clean, consistent white light without pixelation
- High quality, true color reproduction
- Significantly reduced thermal resistance and increased operating conditions
- Lower operating costs
- Reduced maintenance costs
- Environmentally friendly, no disposal issues

# Contents

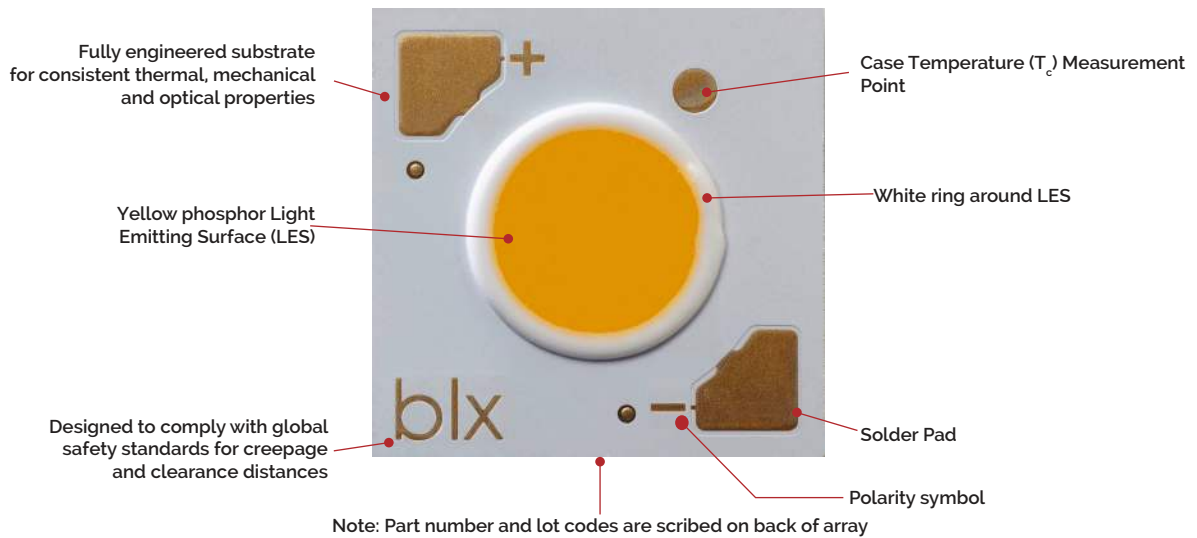
Product Feature Map	2
Product Nomenclature	2
Product Selection Guide	3
Performance at Commonly Used Drive Currents	4
Electrical Characteristics	6
Absolute Maximum Ratings	7
Performance Curves	8
Typical Radiation Pattern	11
Typical Color Spectrum	12
Mechanical Dimensions	13
Color Binning Information	14
Packaging and Labeling	15
Design Resources	16
Precautions	16
Disclaimers	16
About Bridgelux	17

---

# Product Feature Map

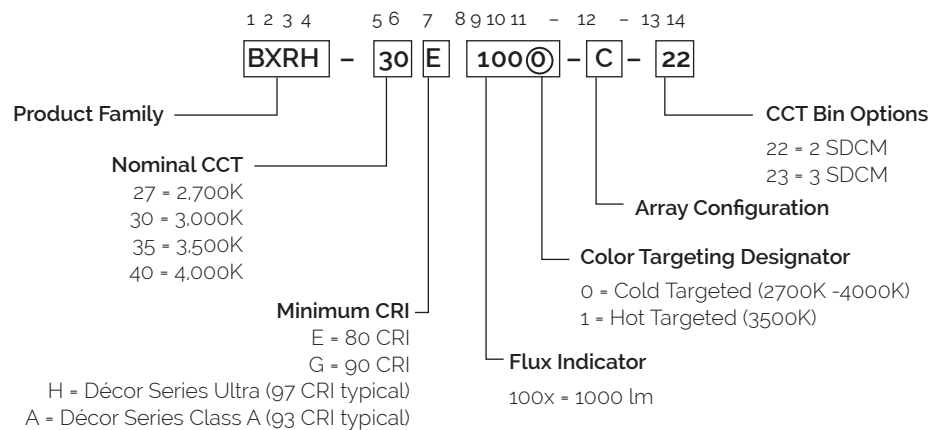
H Series arrays are engineered to provide superior thermal and optical performance. The arrays, the most compact chip-on-board devices across all Bridgelux LEDs,

incorporate several features to simplify design and assembly, and to ensure superior reliability.



## Product Nomenclature

Part number designation for Bridgelux H Series arrays is explained as follows:



# Product Selection Guide

The following product configurations are available:

**Table 1:** Selection Guide, Pulsed Measurement Data ( $T_j = T_c = 25^\circ\text{C}$ )

Part Number	Nominal CCT <sup>1</sup> (K)	CRI <sup>2</sup>	Nominal Drive Current (mA)	Typical Pulsed Flux <sup>3,4,5</sup> $T_c = 25^\circ\text{C}$ (lm)	Minimum Pulsed Flux <sup>5,6</sup> $T_c = 25^\circ\text{C}$ (lm)	Typical $V_f$ (V)	Typical Power (W)	Typical Efficacy (lm/W) <sup>7</sup>
BXRH-27E1000-C-23	2700	80	750	1304	1121	18.3	13.7	95
BXRH-27G1000-C-23	2700	90	750	1084	932	18.3	13.7	79
BXRH-27H1000-C-23	2700	97	750	1043	897	18.3	13.7	76
BXRH-30E1000-C-23	3000	80	750	1373	1180	18.3	13.7	100
BXRH-30G1000-C-23	3000	90	750	1153	991	18.3	13.7	84
BXRH-30H1000-C-23	3000	97	750	1084	932	18.3	13.7	79
BXRH-35A1001-C-23 <sup>8</sup>	3500	93	750	1153	991	18.3	13.7	84
BXRH-35G1000-C-23	3500	90	750	1180	1015	18.3	13.7	86
BXRH-40E1000-C-23	4000	80	750	1455	1251	18.3	13.7	106
BXRH-40G1000-C-23	4000	90	750	1208	1039	18.3	13.7	88

**Table 2:** Selection Guide, Stabilized DC Performance ( $T_c = 85^\circ\text{C}$ )<sup>9, 10</sup>

Part Number	Nominal CCT <sup>1</sup> (K)	CRI <sup>2</sup>	Nominal Drive Current (mA)	Typical DC Flux <sup>4,5</sup> $T_c = 85^\circ\text{C}$ (lm)	Minimum DC Flux <sup>9, 11</sup> $T_c = 85^\circ\text{C}$ (lm)	Typical $V_f$ (V)	Typical Power (W)	Typical Efficacy (lm/W)
BXRH-27E1000-C-23	2700	80	750	1134	976	17.5	13.1	87
BXRH-27G1000-C-23	2700	90	750	943	811	17.5	13.1	72
BXRH-27H1000-C-23	2700	97	750	907	780	17.5	13.1	69
BXRH-30E1000-C-23	3000	80	750	1194	1027	17.5	13.1	91
BXRH-30G1000-C-23	3000	90	750	1003	863	17.5	13.1	77
BXRH-30H1000-C-23	3000	97	750	943	811	17.5	13.1	72
BXRH-35A1001-C-23 <sup>8</sup>	3500	93	750	1003	863	17.5	13.1	77
BXRH-35G1000-C-23	3500	90	750	1027	883	17.5	13.1	78
BXRH-40E1000-C-23	4000	80	750	1266	1089	17.5	13.1	97
BXRH-40G1000-C-23	4000	90	750	1051	904	17.5	13.1	80

Notes for Tables 1 & 2:

- Nominal CCT as defined by ANSI C78.377-2011.
- CRI values are typical for Décor Series Ultra and Class A color points and minimums for all other color points. Minimum R<sub>g</sub> value for 80 CRI products is 0, minimum R<sub>g</sub> value for 90 CRI products is 50.
- Products tested under pulsed condition (10 ms pulse width) at nominal test current where  $T_j$  (junction temperature) =  $T_c$  (case temperature) =  $25^\circ\text{C}$ .
- Typical performance values are provided as reference only and are not a guarantee of performance.
- Bridgelux maintains a  $\pm 7\%$  tolerance on flux measurements.
- Minimum flux values at the nominal test current are guaranteed by 100% production testing.
- Typical efficacy is a function of lumen output. See example in Figure. 1.
- Class A products are a revolutionary advancement in lighting designed to match how humans perceive and prefer light. Nominal CCT is defined by the Lighting Research Center's Class A definition. The center of the Class A color bin is on the corresponding isothermal line.
- Typical stabilized DC performance values are provided as reference only and are not a guarantee of performance.
- Typical performance is estimated based on operation under DC (direct current) with LED array mounted onto a heat sink with thermal interface material and the case temperature maintained at  $85^\circ\text{C}$ . Values may vary depending on the thermal design of the luminaire and/or the exposed environment to which the product is subjected.
- Minimum flux values at elevated temperatures are provided for reference only and are not guaranteed by 100% production testing. Values may vary depending on the thermal design of the luminaire and/or the exposed environment to which the product is subjected.

# Performance at Commonly Used Drive Currents

H Series LED arrays are tested to the specifications shown using the nominal drive currents in Table 1. H Series arrays may also be driven at other drive currents depending on specific application design requirements. The performance at any drive current can be derived from the efficacy vs. flux characteristics in Figure 1, the current vs. voltage characteristics shown in Figure 2 and the flux vs. current characteristics shown in Figure 3. The performance at commonly used drive currents is summarized in Table 3.

**Table 3:** Performance at Commonly Used Drive Currents

Part Number	CRI	Drive Current <sup>1</sup> (mA)	Typical $V_f$ $T_c = 25^\circ\text{C}$ (V)	Typical Power $T_c = 25^\circ\text{C}$ (W)	Typical Flux <sup>2</sup> $T_c = 25^\circ\text{C}$ (lm)	Typical DC Flux <sup>3</sup> $T_c = 85^\circ\text{C}$ (lm)	Typical Efficacy $T_c = 25^\circ\text{C}$ (lm/W)
BXRH-27E1000-C-23	80	350	17.2	6.0	675	587	112
		500	17.7	8.8	926	806	105
		<b>750</b>	<b>18.3</b>	<b>13.7</b>	<b>1304</b>	<b>1134</b>	<b>95</b>
		1050	18.9	19.8	1707	1485	86
BXRH-27G1000-C-23	90	350	17.2	6.0	561	488	93
		500	17.7	8.8	770	670	87
		<b>750</b>	<b>18.3</b>	<b>13.7</b>	<b>1084</b>	<b>943</b>	<b>79</b>
		1050	18.9	19.8	1419	1235	72
BXRH-27H1000-C-23	97	350	17.2	6.0	540	470	90
		500	17.7	8.8	741	645	84
		<b>750</b>	<b>18.3</b>	<b>13.7</b>	<b>1043</b>	<b>907</b>	<b>76</b>
		1050	18.9	19.8	1365	1188	69
BXRH-30E1000-C-23	80	350	17.2	6.0	710	618	118
		500	17.7	8.8	975	848	110
		<b>750</b>	<b>18.3</b>	<b>13.7</b>	<b>1373</b>	<b>1194</b>	<b>100</b>
		1050	18.9	19.8	1797	1563	91
BXRH-30G1000-C-23	90	350	17.2	6.0	597	519	99
		500	17.7	8.8	819	713	93
		<b>750</b>	<b>18.3</b>	<b>13.7</b>	<b>1153</b>	<b>1003</b>	<b>84</b>
		1050	18.9	19.8	1509	1313	76
BXRH-30H1000-C-23	97	350	17.2	6.0	561	488	93
		500	17.7	8.8	770	670	87
		<b>750</b>	<b>18.3</b>	<b>13.7</b>	<b>1084</b>	<b>943</b>	<b>79</b>
		1050	18.9	19.8	1419	1235	72

# Performance at Commonly Used Drive Currents

**Table 3:** Performance at Commonly Used Drive Currents

Part Number	CRI	Drive Current <sup>1</sup> (mA)	Typical $V_f$ $T_c = 25^\circ\text{C}$ (V)	Typical Power $T_c = 25^\circ\text{C}$ (W)	Typical Flux <sup>2</sup> $T_c = 25^\circ\text{C}$ (lm)	Typical DC Flux <sup>3</sup> $T_c = 85^\circ\text{C}$ (lm)	Typical Efficacy $T_c = 25^\circ\text{C}$ (lm/W)
BXRH-35A1001-C-23	93	350	17.2	6.0	597	519	99
		500	17.7	8.8	819	713	93
		<b>750</b>	<b>18.3</b>	<b>13.7</b>	<b>1153</b>	<b>1003</b>	<b>84</b>
		1050	18.9	19.8	1509	1313	76
BXRH-35G1000-C-23	90	350	17.2	6.0	611	532	102
		500	17.7	8.8	839	730	95
		<b>750</b>	<b>18.3</b>	<b>13.7</b>	<b>1180</b>	<b>1027</b>	<b>86</b>
		1050	18.9	19.8	1545	1344	78
BXRH-40E1000-C-23	80	350	17.2	6.0	753	655	125
		500	17.7	8.8	1034	899	117
		<b>750</b>	<b>18.3</b>	<b>13.7</b>	<b>1455</b>	<b>1266</b>	<b>106</b>
		1050	18.9	19.8	1904	1657	96
BXRH-40G1000-C-23	90	350	17.2	6.0	625	544	104
		500	17.7	8.8	858	747	97
		<b>750</b>	<b>18.3</b>	<b>13.7</b>	<b>1208</b>	<b>1051</b>	<b>88</b>
		1050	18.9	19.8	1581	1375	80

Notes for Table 3:

1. Alternate drive currents in Table 3 are provided for reference only and are not a guarantee of performance.
2. Bridgelux maintains a  $\pm 7\%$  tolerance on flux measurements.
3. Typical stabilized DC flux values at  $85^\circ\text{C}$  are provided as reference only and are not a guarantee of performance.

# Electrical Characteristics

**Table 4:** Electrical Characteristics

Part Number	Drive Current (mA)	Forward Voltage Pulsed, $T_c = 25^\circ\text{C}$ (V) <sup>1,2,3,4</sup>			Typical Coefficient of Forward Voltage <sup>5</sup> $\Delta V_f / \Delta T$ (mV/ $^\circ\text{C}$ )	Typical Thermal Resistance Junction to Case <sup>6,7</sup> $R_{j-c}$ (C/W)	Driver Selection Voltages <sup>8</sup> (V)	
		Minimum	Typical	Maximum			$V_f$ Min. Hot $T_c = 105^\circ\text{C}$ (V)	$V_f$ Max. Cold $T_c = -40^\circ\text{C}$ (V)
BXRH-xxx1000-C-2x	750	16.9	18.3	19.7	-13.8	0.60	15.8	20.6
	1050	17.5	18.9	20.4	-13.8	0.63	16.4	21.3

Notes for Table 4:

- Parts are tested in pulsed conditions,  $T_c = 25^\circ\text{C}$ . Pulse width is 10 ms.
- Voltage minimum and maximum are provided for reference only and are not a guarantee of performance.
- Bridgelux maintains a tolerance of  $\pm 0.10$  V on forward voltage measurements.
- The working voltage designated for insulation is 150 V DC, according to safety testing per IEC 62031 standard.
- Typical coefficient of forward voltage tolerance is  $\pm 0.1$  mV for nominal current.
- Thermal resistance values are based from test data of a 3000 K 80 CRI product.
- Thermal resistance value was calculated using total electrical input power; optical power was not subtracted from input power. The thermal interface material used during testing is not included in the thermal resistance value.
- $V_f$  min hot and max cold values are provided as reference only and are not guaranteed. These values are provided to aid in driver design and selection over the operating range of the product.



# Absolute Maximum Ratings

**Table 5:** Absolute Maximum Ratings

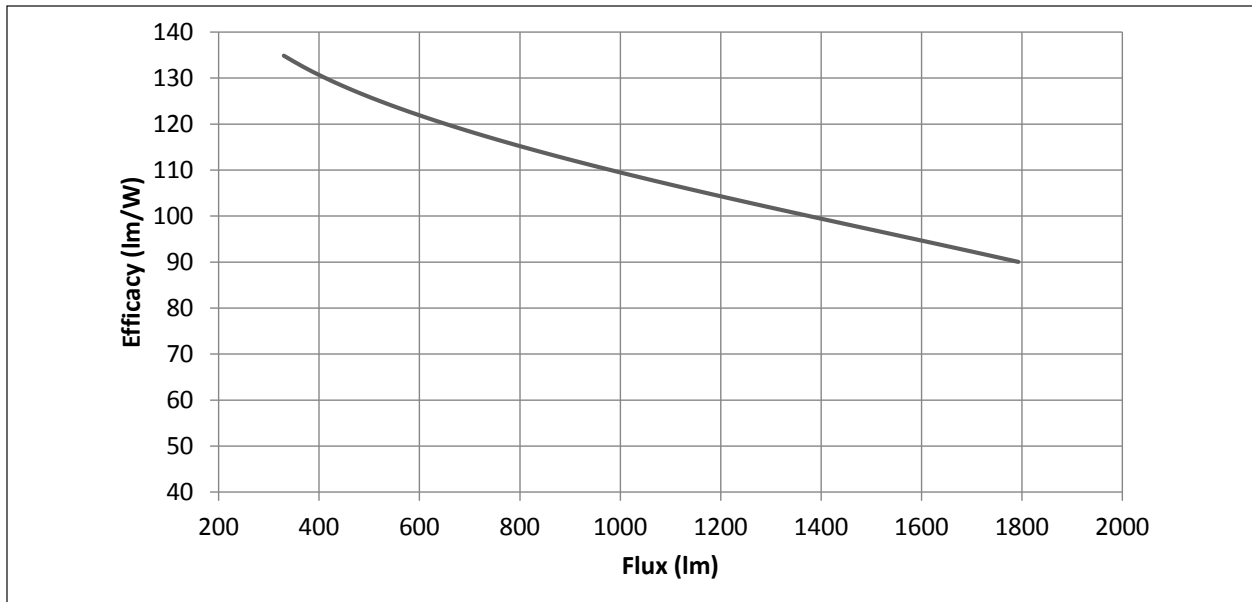
Parameter	Maximum Rating
LED Junction Temperature (T <sub>j</sub> )	125°C
Storage Temperature	-40°C to +105°C
Operating Case Temperature <sup>1</sup> (T <sub>c</sub> )	105°C
Soldering Temperature <sup>2</sup>	350°C or lower for a maximum of 10 seconds
Maximum Drive Current <sup>3,4</sup>	1050 mA
Maximum Peak Pulsed Drive Current <sup>5</sup>	1130 mA
Maximum Reverse Voltage <sup>6</sup>	-30 V

Notes for Table 5:

1. For IEC 62717 requirement, please consult your Bridgelux sales representative.
2. Refer to Bridgelux Application Note AN81: Handling and Assembly of Bridgelux H Series Arrays.
3. Lumen maintenance (L70) and lifetime predictions are valid for drive current and case temperature conditions used for LM-80 testing as included in the applicable LM-80 test report for these arrays. Contact your Bridgelux sales representatives for LM-80 report.
4. Arrays may be driven at higher currents. However, lumen maintenance may be reduced.
5. Bridgelux recommends a maximum duty cycle of 10% and pulse width of 20 ms when operating LED Arrays at maximum peak pulsed current specified. Maximum peak pulsed currents indicate values where LED Arrays can be driven without catastrophic failures.
6. Light emitting diodes are not designed to be driven in reverse voltage and will not produce light under this condition. Maximum rating provided for reference only.

# Performance Curves

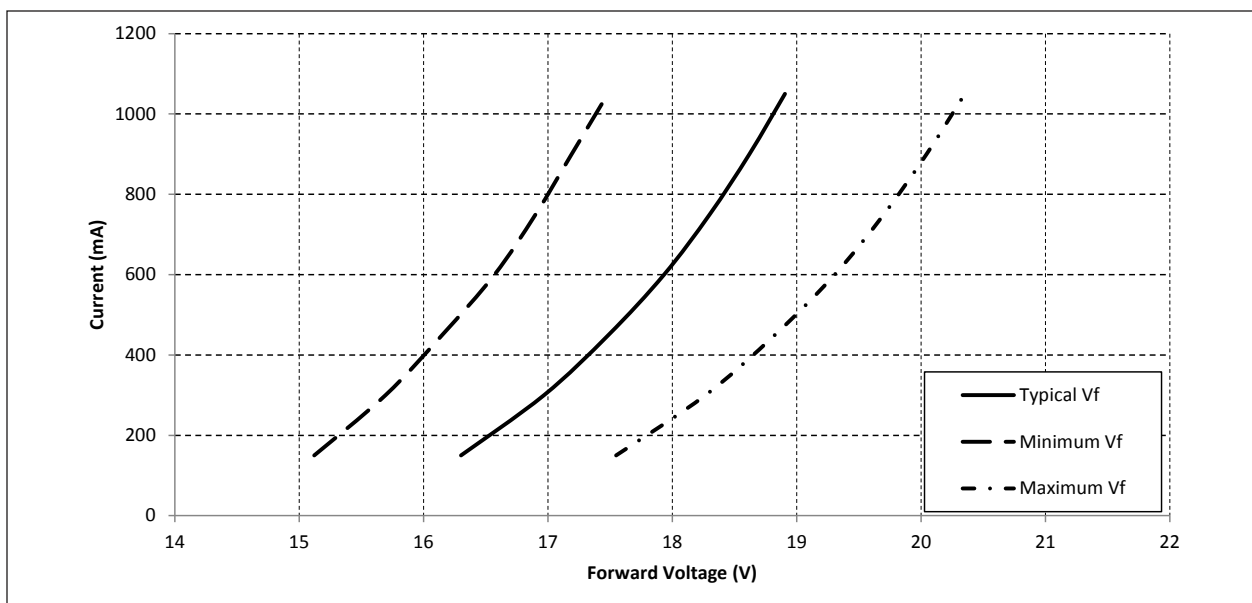
Figure 1: Efficacy vs. Flux ( $T_j = T_c = 25^\circ\text{C}$ ; BXRH-30E1000-C-23)



Notes for Figure 1

1. Light output of H Series LEDs span a wide lumen range. Typical efficacy is a function of lumen output.

Figure 2: Drive Current vs. Voltage ( $T_j = T_c = 25^\circ\text{C}$ )



# Performance Curves

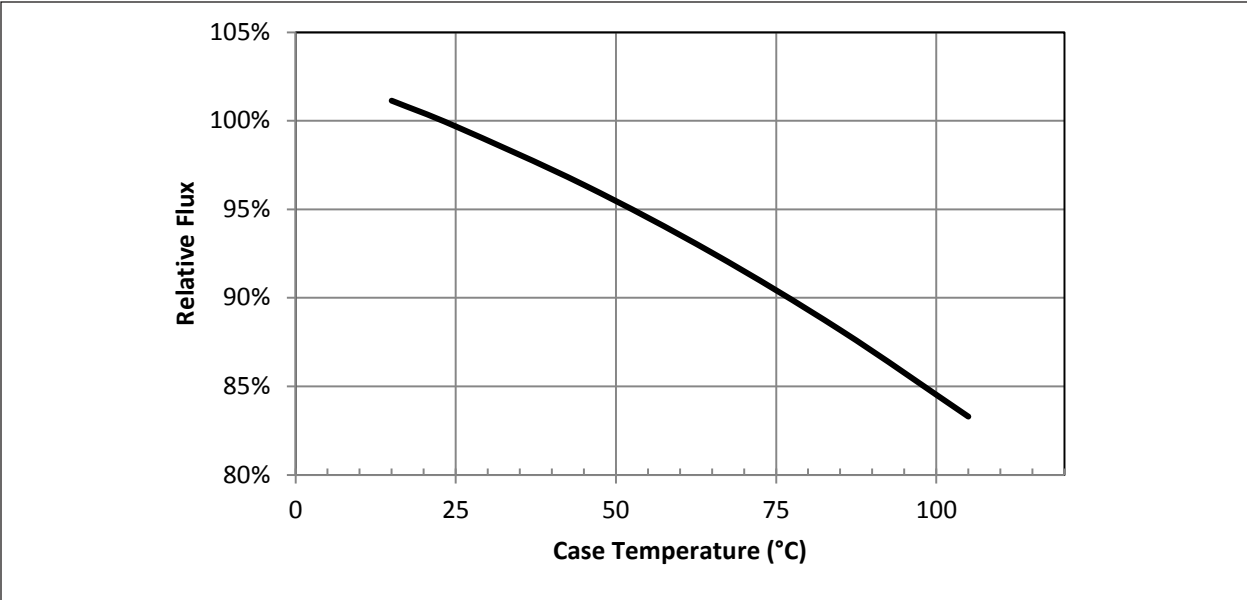
Figure 3: Typical Relative Luminous Flux vs. Drive Current ( $T_j = T_c = 25^\circ\text{C}$ )



Note for Figure 3:

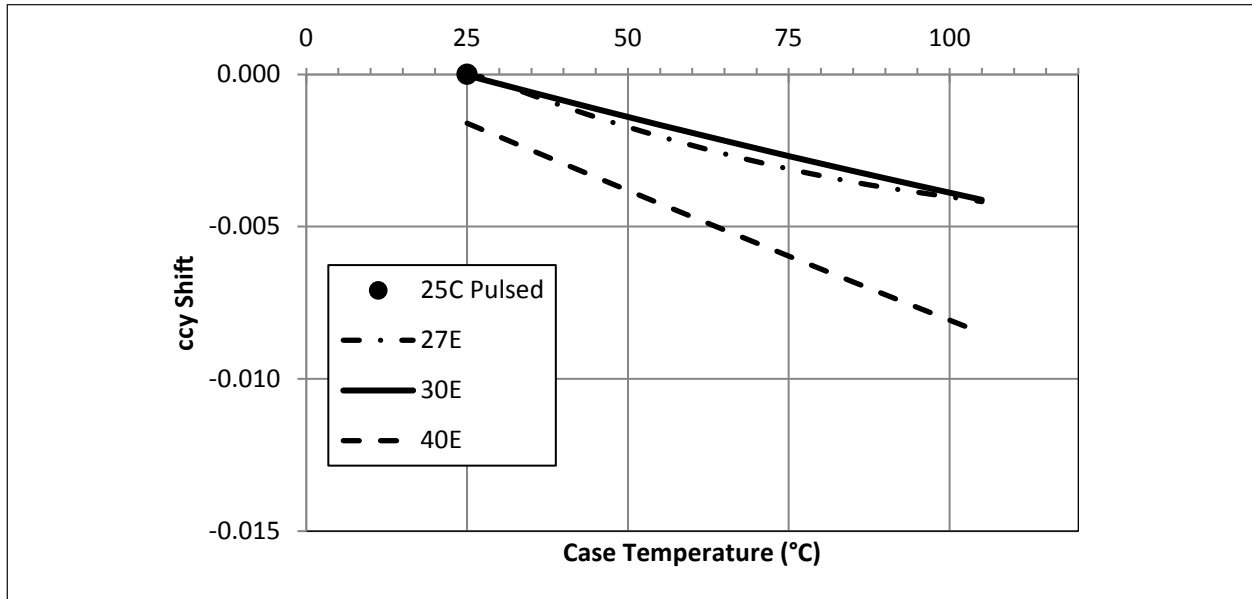
- 1. Bridgelux does not recommend driving high power LEDs at low currents. Doing so may produce unpredictable results. Pulse width modulation (PWM) is recommended for dimming.

Figure 4: Typical DC Flux vs. Case Temperature

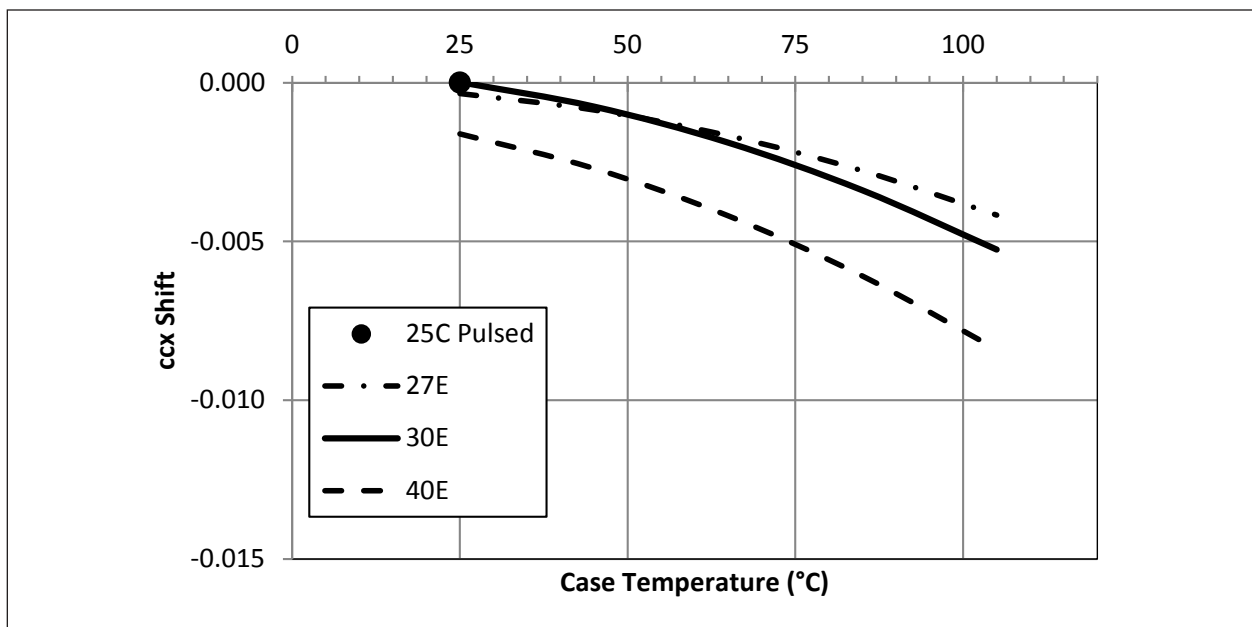


# Performance Curves

**Figure 5: Typical DC ccy Shift vs. Case Temperature**



**Figure 6: Typical DC ccx Shift vs. Case Temperature**

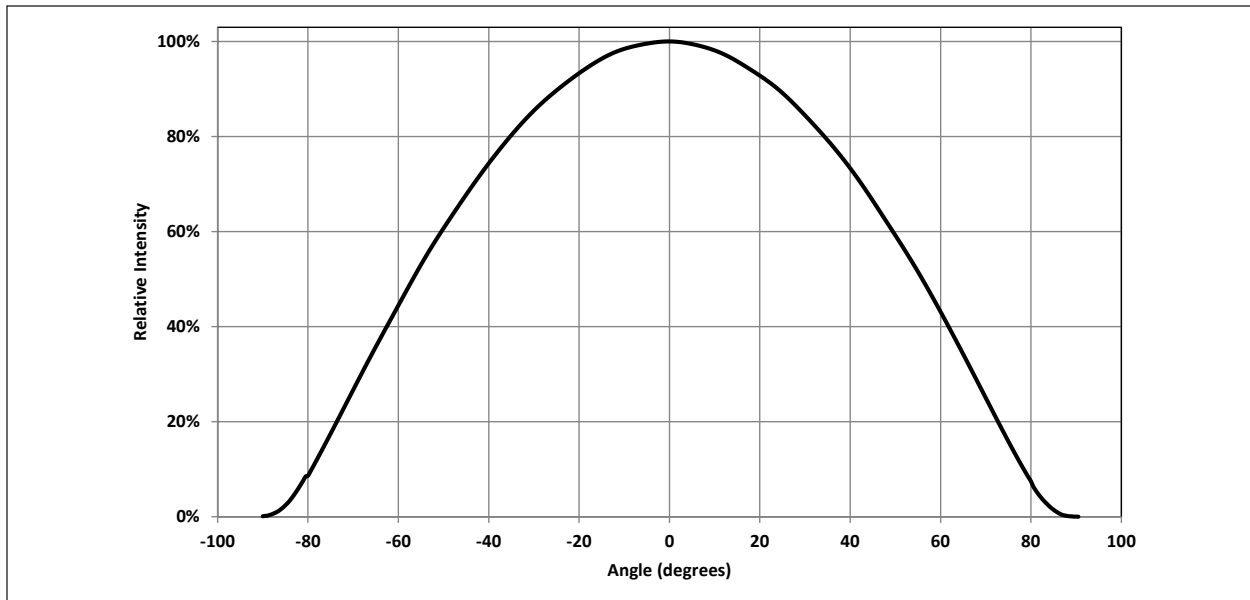


Notes for Figures 5 and 6:

1. Characteristics shown for 27E based on 2700K and 80 CRI.
2. Characteristics shown for 30E based on 3000K and 80 CRI.
3. Characteristics shown for 40E based on 4000K and 80 CRI.
4. For other color SKUs, the shift in color will vary. Please contact your Bridgelux Sales Representative for more information.

# Typical Radiation Pattern

**Figure 7: Typical Spatial Radiation Pattern**

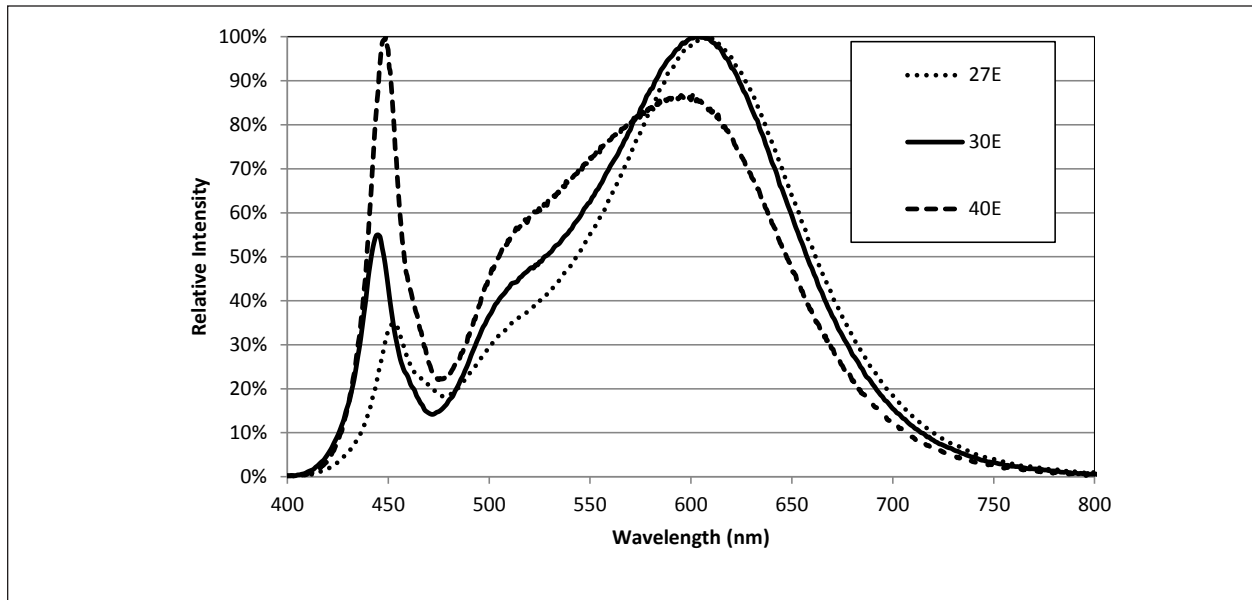


Note for Figure 7:

1. Typical viewing angle is  $112^\circ$ .
2. The viewing angle is defined as the off axis angle from the centerline where intensity is 50% of the peak value.

# Typical Color Spectrum

Figure 8: Typical Color Spectrum

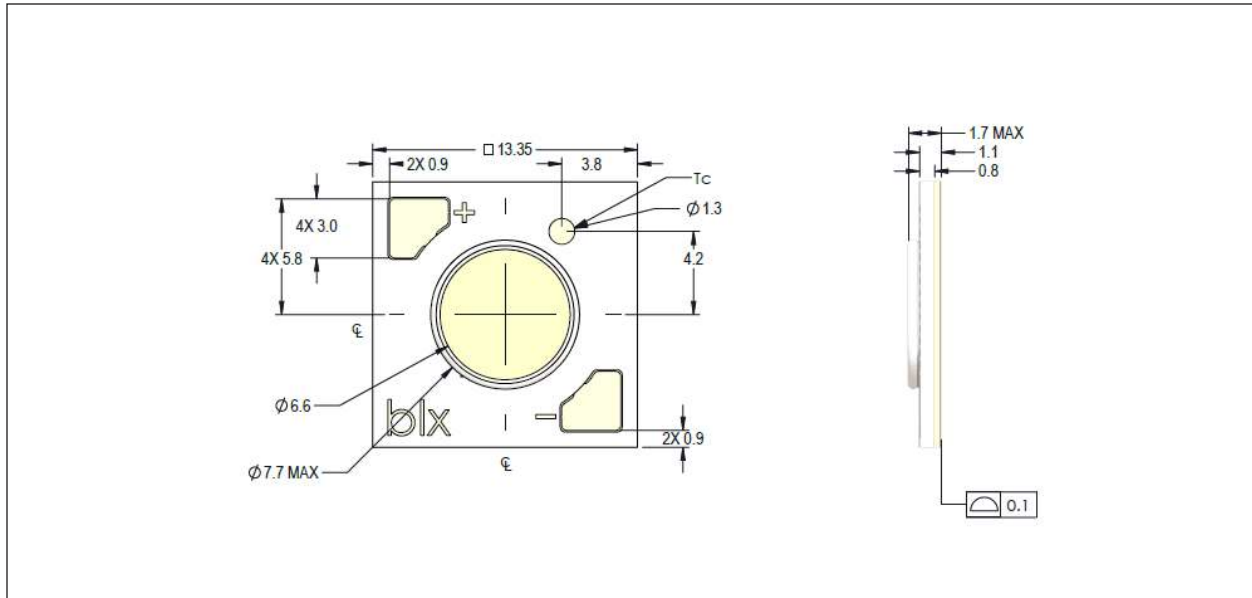


Notes for Figure 8:

1. Color spectra measured at nominal current for  $T_j = T_c = 25^\circ\text{C}$ .
2. Color spectra shown for 27E is 2700K and 80 CRI.
3. Color spectra shown for 30E is 3000K and 80 CRI.
4. Color spectra shown for 40E is 4000K and 80 CRI.

# Mechanical Dimensions

**Figure 9: Drawing for H6 LED Array**

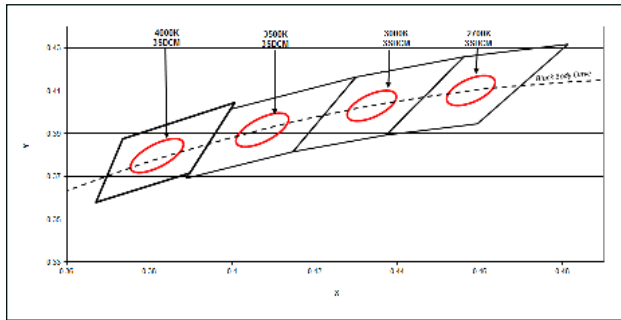


Notes for Figure 9:

1. Solder pads are labeled "+" and "-" to denote positive and negative polarity, respectively.
2. Drawings are not to scale.
3. Drawing dimensions are in millimeters.
4. Array length and width tolerances are  $\pm 0.2$  mm. Unless otherwise specified, all other tolerances are  $\pm 0.10$  mm.
5. The optical center of the LED Array is nominally defined by the mechanical center of the array.
6. Bridgelux maintains a flatness of  $0.1$  mm across the mounting surface of the array. Refer to Application Note AN81 for product handling, and mounting recommendations

# Color Binning Information

**Figure 10: Graph of Warm and Neutral White Test Bins in xy Color Space**



Note: Pulsed Test Conditions,  $T_c = 25^\circ\text{C}$

**Table 6: Warm and Neutral White xy Bin Coordinates and Associated Typical CCT<sup>1</sup>**

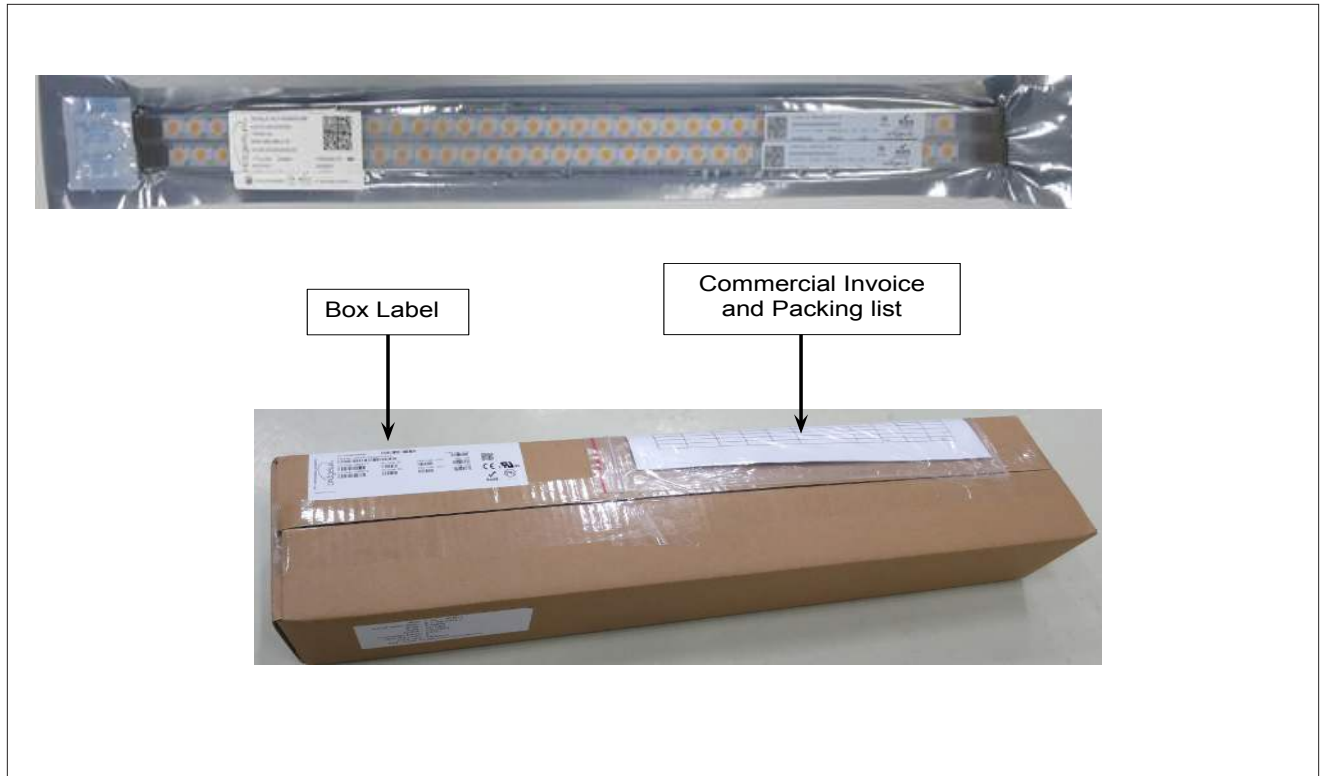
Bin Code	2700K	3000K	3500 K	4000K
ANSI Bin (for reference only)	(2580K - 2870K)	(2870K - 3220K)	(3220K - 3710K)	(3710K - 4260K)
23 (3SDCM)	(2651K - 2794K)	(2968K - 3136K)	(3369K - 3586K)	(3851K - 4130K)
Center Point (x,y)	(0.4578, 0.4101)	(0.4338, 0.403)	(0.4073, 0.3917)	(0.3818, 0.3797)

1. Does not apply to Class A color points.



# Packaging and Labeling

**Figure 11: H Series Packaging and Labeling**



Notes for Figure 11:

1. Each tube holds 35 H6 COB arrays.
2. Two tubes are sealed in an anti-static bag. Ten such bags are placed in a box and shipped. Depending on quantities ordered, a bigger shipping box, containing four boxes will be used to ship products.
3. Each bag and box is to be labeled as shown above.
4. Dimensions for each tube are 15.4 (W) x 8.3(H) x 500 (L) mm. Dimensions for the anti-static bag are 75 (W) x 615 (L) x 3.1 (T) mm and that of a shipping box are 58.7 x 13.3 x 7.9 cm.

**Figure 12: Product Labeling**

Bridgelux COB arrays have laser markings on the back side of the substrate to help with product identification. In addition to the product identification markings, Bridgelux COB arrays also contain markings for internal Bridgelux manufacturing use only. The image below shows which markings are for customer use and which ones are for Bridgelux internal use only. The Bridgelux internal manufacturing markings are subject to change without notice, however these will not impact the form, function or performance of the COB array.



# Design Resources

## Application Notes

Bridgelux has developed a comprehensive set of application notes and design resources to assist customers in successfully designing with the H Series product family of LED array products. For a list of resources under development, visit [www.bridgelux.com](http://www.bridgelux.com).

## Optical Source Models

Optical source models and ray set files are available for all Bridgelux products. For a list of available formats, visit [www.bridgelux.com](http://www.bridgelux.com).

# Precautions

## CAUTION: CHEMICAL EXPOSURE HAZARD

Exposure to some chemicals commonly used in luminaire manufacturing and assembly can cause damage to the LED array. Please consult Bridgelux Application Note AN81 for additional information.

## CAUTION: EYE SAFETY

Eye safety classification for the use of Bridgelux H Series LED arrays is in accordance with IEC specification TR 62778: Photobiological Safety of Lamps and Lamp Systems. H Series LED arrays are classified as Risk Group 2 (Moderate Risk) when operated at or below the maximum drive current. The Ethr value is 1187 lux per IEC/TR 62778. Please use appropriate precautions. It is important that employees working with LEDs are trained to use them safely.

## CAUTION: RISK OF BURN

Do not touch the H Series LED array during operation. Allow the array to cool for a sufficient period of time before handling. The H Series LED array may reach elevated temperatures such that could burn skin when touched.

# Disclaimers

## MINOR PRODUCT CHANGE POLICY

The rigorous qualification testing on products offered by Bridgelux provides performance assurance. Slight cosmetic changes that do not affect form, fit, or function may occur as Bridgelux continues product optimization.

## 3D CAD Models

Three dimensional CAD models depicting the product outline of all Bridgelux H Series LED arrays are available in both IGES and STEP formats. Visit [www.bridgelux.com](http://www.bridgelux.com) for details.

## CAUTION

### CONTACT WITH LIGHT EMITTING SURFACE (LES)

Avoid any contact with the LES. Do not touch the LES of the LED array or apply stress to the LES (yellow phosphor resin area). Contact may cause damage to the LED array.

Optics and reflectors must not be mounted in contact with the LES (yellow phosphor resin area). Use the LED array edges to locate and secure optical devices as needed but do not apply large bending forces on the edges of the array.

## STANDARD TEST CONDITIONS

Unless otherwise stated, array testing is performed at the nominal drive current.

# About Bridgelux: We Build Light That Transforms

At Bridgelux, we help companies, industries and people experience the power and possibility of light. Since 2002, we've designed LED solutions that are high performing, energy efficient, cost effective and easy to integrate. Our focus is on light's impact on human behavior, delivering products that create better environments, experiences and returns—both experiential and financial. And our patented technology drives new platforms for commercial and industrial luminaires.

**For more information about the company, please visit**  
**bridgelux.com**  
**twitter.com/Bridgelux**  
**facebook.com/Bridgelux**  
**https://www.linkedin.com/company/bridgelux-inc-\_2**  
**WeChat ID: BridgeluxInChina**



101 Portola Avenue  
Livermore, CA 94551  
Tel (925) 583-8400  
Fax (925) 583-8401  
**www.bridgelux.com**

© 2016 Bridgelux, Inc. All rights reserved. Product specifications are subject to change without notice. Bridgelux and the Bridgelux stylized logo design are registered trademarks, and Decor Series and H Series are trademarks, of Bridgelux, Inc. All other trademarks are the property of their respective owners.

Bridgelux H6 Array Product Data Sheet DS80 Rev. C (11/2016)