



### SPECIFICATIONS

| Model      | Stroke mm | Max Absorption Energy J(kgf·m) | Max Equivalent Mass kg (kgf) |
|------------|-----------|--------------------------------|------------------------------|
| FK-1008M-C | 8         | 2.94(0.3)                      | 6(6)                         |

| Max Drag N (kgf) | Absorption Energy per min. J/min(kgf·m/min) | Extension Force N(kgf) | Mass g | Urethane Cap Specification (Type-R) |
|------------------|---|------------------------|--------|-------------------------------------|
| 1,078 (110)      | 58.8(6.0)                                   | 4.9(0.5) or lower      | 21     | ○                                   |

Note) Insert R in place of C if ordering urethane cap

### COMMON SPECIFICATIONS

|                       |           |       |
|-----------------------|-----------|-------|
| Range of Impact Rate  | m/s       | 0.3~2 |
| Maximum Cycle Rate    | cycle/min | 60    |
| Operating Temperature | C°        | -5~70 |

### CHARACTERISTICS

- With a fixed, specially-designed orifice structure, an optimal impact absorption can be achieved even under variable operating conditions.
- The main unit can also be used as a stopper. (No external stopper required, except for FK-3625A)
- Three different types are available to accommodate various speeds. For low-speed: L, for medium-speed: M, for highspeed: H.
- Urethane cap specification is also available.
- Two or more of each product can be used in parallel.
- This product can also be custom-designed for optimal impact absorption.

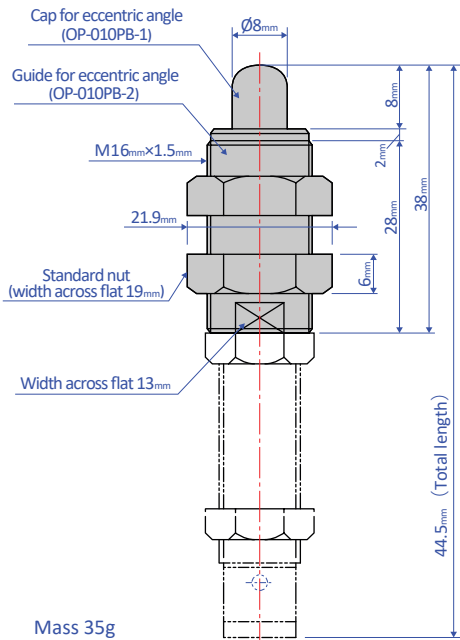
### PRECAUTIONS FOR USE

- Do not use this product without carefully reading the attached owner's manual.
- Do not turn the oil inlet screw located at the bottom of the main unit.
- Ensure that sufficient mounting strength is secured for this product. (As a guideline, it should be 2 to 3 times the maximum drag listed in the catalogue.)
- Urethane caps are consumable goods that need to be replaced with new ones if necessary.
- Do not use this product in a vacuum or a location where it may come in contact with oil.
- Ensure that an eccentric load is not applied to the soft absorber. (Allowable eccentric angle: ±2.5°)
- Ensure that an external stopper (OP-020\*\*) is also used. (The FK-0404 series can be used without a stopper.)

## OPTIONAL PARTS

### Eccentric angle adaptor OP-010PB

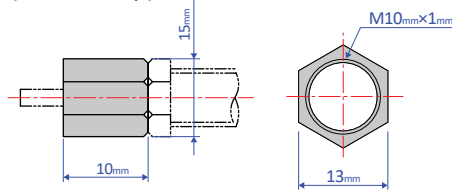
- When attaching the eccentric angle adaptor, screw it into the main unit until the cap for eccentric angle and the piston rod form a tight connection. While maintaining this position, fasten the main unit's nut until secured.
- \* If the eccentric angle adaptor is secured without establishing a tight fit, a sufficient stroke cannot be obtained. Furthermore, if the eccentric angle adaptor is further screwed in, after it has formed a tight connection, and then secured in place, the cap for eccentric angle cannot be pushed all the way to the stroke end.
- The inclined adapter is not available for models with soft absorber cap (-C) and urethane cap (-R)



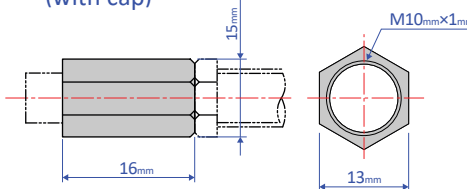
### Stopper nut OP-020PB

- Adjust so that it stops 1 mm before the stroke end, and fasten with the main unit's nut until secured.

#### OP-020PB-S (without cap)



#### OP-020PB-C (with cap)

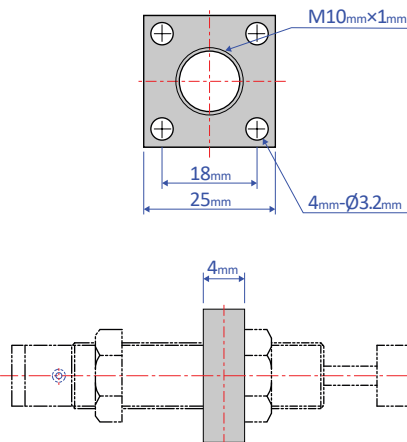


Note: When attaching, make sure that the side without a bearing chamfer is the impact surface.

Standard nuts are sold separately as well - M10 Nut

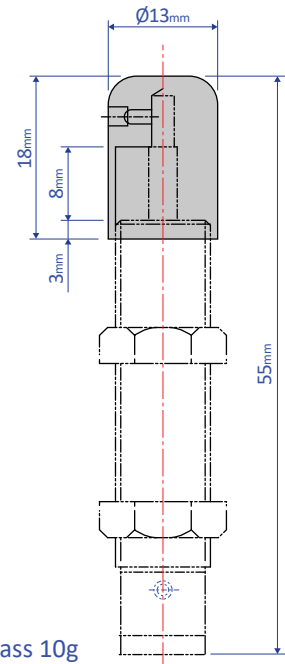
### Square flange OP-040PB

- This is a mounting fixture for soft absorbers



### Liquid-proof cap FK-1008H-C-060

- The main unit is supplied in assembly
- Ideal for use in environments where oil splatter poses a problem.
- Ensure that the cap is facing upward. If the cap is facing sideways or downward, it cannot provide an effective means for liquid proofing.



Note) Liquid-proof caps are not sold separately