

4

3

2

1

THIS DRAWING IS UNPUBLISHED. RELEASED FOR PUBLICATION 2001.
 © COPYRIGHT 2001 BY TYCO ELECTRONICS CORPORATION. ALL RIGHTS RESERVED.

LOC	DIST	REVISIONS					
		P	LTR	DESCRIPTION	DATE	DWN	APVD
J		0		RELEASED(FJBO-1267-04)	11NOV04	M.K	Y.Y

Dimensions: 16.6, 55.6, 29.6, 9.4, 2.85, 23.2, 0.8 PITCH, 3, 11.4, 1.1, 1.5, 2.

Labels: No.S115, No.S77, No.P4, No.P3, No.V152, No.M114, No.P1, No.P2, No.S39, CIRCUIT No.S1, No.M76, No.V38.

Pinout labels: S137, S138, S139, S140, V141, V142, V143, V144, V145, V146, V147, V148, V149, V150, V151, V152, S99, S100, S101, V102, V103, L104, L105, L106, L107, V108, V109, V110, V111, V112, M114, S61, S62, S63, V64, V65, L66, L67, L68, L69, V70, V71, V72, V73, V74, V75, M76, S23, S24, S25, S26, V27, V28, V29, V30, V31, V32, V33, V34, V35, V36, V37, V38.

DETAIL C (SCALE 8-1)
 (THIS FIG. SHOWS VOID CONT. POSITION, AND NOT COMPLETELY RIGHT FIGURE.)

Dimensions: 50.32, 4.1, 1.6, 12, 1.1, 1.5, 2, 1.35, 2, 4.4, 0.8 PITCH, 12, 12, 8.95, 20.15, 29.6, 40.3, 46.5, 6.2.

Dimensions: 8.87, 8.27, 7.47, 7, R0.8, 15.88, 12.1, 11.55, 5.3, 3.12, 3.1 MAX, 2.9, 15.15.

Labels: HOUSING, G-PLATE, TINE PLATE, CONTACT.

Text: PWB SURFACE AFTER MOUNTED, SIGNAL, POWER AND GROUND PINS ARE APPLIED THE DIMENSION.

Dimensions: 50.62 ± 0.1, ± 0.1, R1.125, ± 0.1, 8.52.

PANEL OPENING DIM.

鉛フリー
LEAD FREE

NUMBER OF PINS
 SIGNAL 102P
 MODEM 2P
 LAN 8P
 VOID 40P
 POWER 4P

-1 ; AS SHOWN

THIS DRAWING IS A CONTROLLED DOCUMENT.		DWN M.KATO 11NOV04	 Tyco Electronics AMP K.K. Kawasaki, Japan
DIMENSIONS: MM		CHK S.KAJINUMA 11NOV04	
TOLERANCES UNLESS OTHERWISE SPECIFIED:		APVD Y.YAMAMOTO 11NOV04	NAME
0 P.L.C ± 10 ≥ ± 0.2 1 P.L.C ± 30 ≥ 10 ± 0.25 2 P.L.C ± 100 ≥ 30 ± 0.3 3 P.L.C ± 100 ≥ 30 ± 0.3 4 P.L.C ± 100 ≥ 30 ± 0.3 ANGLES ± ± 3° FINISH		PRODUCT SPEC 108-78217	0.8 DOCKING CONNECTOR REC (152P + POWER 4P)
MATERIAL	FINISH	WEIGHT 7.4g	SIZE A2
		CAGE CODE 00779	DRAWING NO C=6565136
		CUSTOMER DRAWING	RESTRICTED TO -
		SCALE 2:1	SHEET 1 OF 3
			REV 0

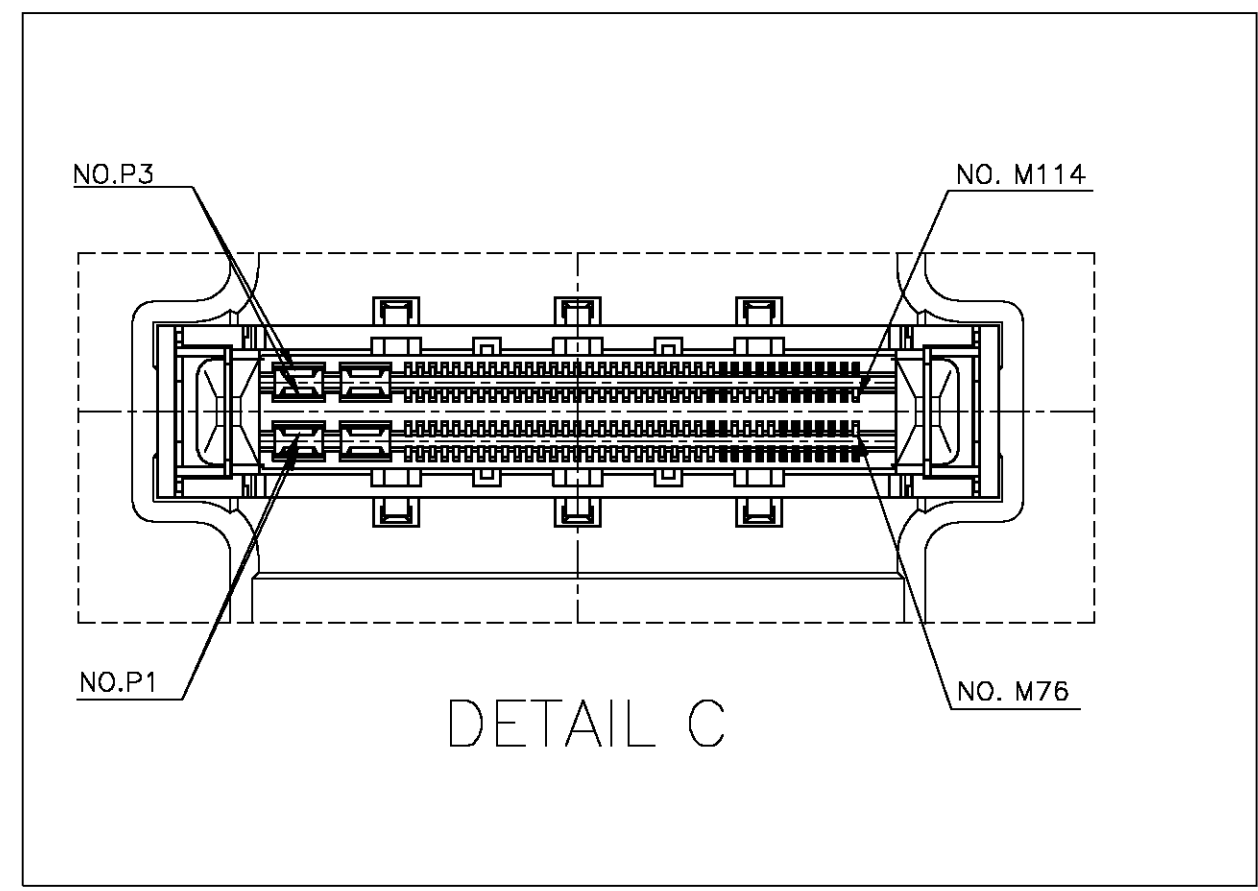
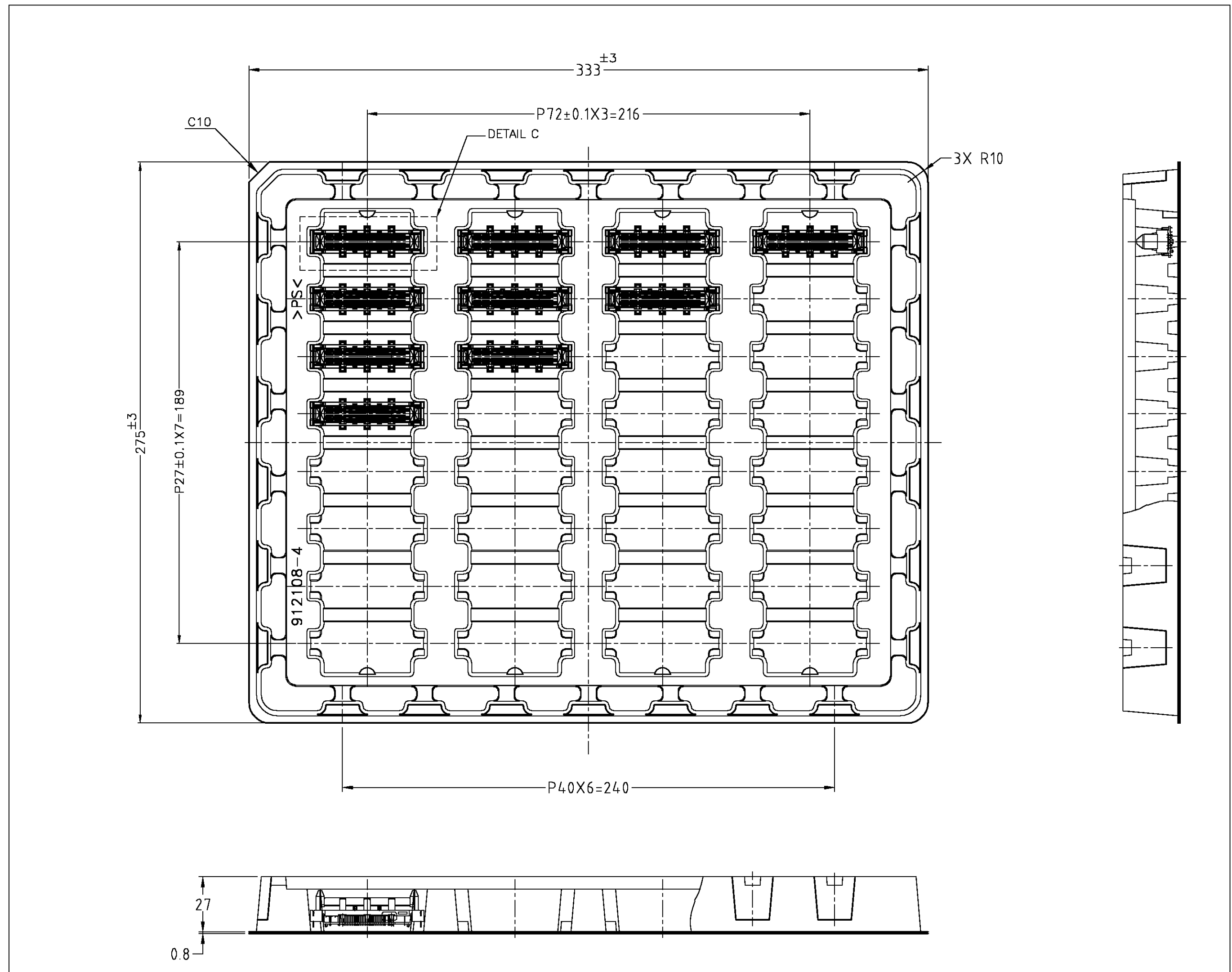
AMP 1471-9 REV 31MAR2000

FJ044364

6565136

THIS DRAWING IS UNPUBLISHED. RELEASED FOR PUBLICATION 2001.
 © COPYRIGHT 2001 BY TYCO ELECTRONICS CORPORATION. ALL RIGHTS RESERVED.

LOC	DIST	REVISIONS					
		P	LTR	DESCRIPTION	DATE	DWN	APVD
J		-	-	SEE SHEET 1	-	-	-



鉛フリー
LEAD FREE

- 1:AS SHOWN

40/TRAY	SEMI HARD TRAY	6565136-1
QUANTITY PER PACKAGE	PACKING	PART NO.

THIS DRAWING IS A CONTROLLED DOCUMENT.		DWN	tyco Tyco Electronics AMP K.K.	
DIMENSIONS: MM		CHK	Electronics Kawasaki, Japan	
TOLERANCES UNLESS OTHERWISE SPECIFIED		APVD	NAME	
0 PLC ±		PRODUCT SPEC	0.8 DOCKING CONNECTOR	
1 PLC ±		APPLICATION SPEC	REC (152P + POWER 4P)	
2 PLC ±		WEIGHT	SIZE	RESTRICTED TO
3 PLC ±			A2	-
4 PLC ±		CUSTOMER DRAWING	CAGE CODE	DRAWING NO
ANGLES ± ±3'			00779	C=6565136
FINISH		SCALE	NTS	SHEET 3 OF 3
		REV	0	