

LT8686S

42V Quad, Gangable, Synchronous, Monolithic Step-Down Regulator

DESCRIPTION

Demonstration circuit 3126A is a quad power supply featuring the [LT[®]8686S](#). The LT8686S is a 42V quad channel current mode monolithic synchronous step-down regulator. The LT8686S combines two 42V capable 2A buck regulators with two 8V capable 2A buck regulators. The demo board is designed for 5V, 3.3V, 1.8V, and 1.2V outputs from a nominal 12V input with switching frequency set at 2MHz. The 5V and 3.3V converters are powered from a wide range of 6V to 42V. The 1.8V and 1.2V converters are powered from the 5V output by default or from 3V to 8V supply alternatively. The current capability is 2A for all 4 outputs when running individually.

The DC3126A provides two 42V regulators that can be combined to deliver up to 4A of output current using a singular inductor. Similarly, the two 8V regulators can be combined to deliver up to 4A of output current using a singular inductor. The allowed channel combinations are given in the data sheet.

The independent track/soft-start and power good for each output simplify the complex design of quad-output power converters. Each output can be independently disabled into low quiescent current shutdown mode with its own TRK/SS pin.

A user-selectable SYNC/MODE pin on the demo board provides two primary modes of operation: pulse-skipping mode and low ripple Burst Mode[®] operation, plus the option of selecting frequency spread-spectrum for each to improve the EMI/EMC performance. Burst Mode

delivers higher efficiency at light load than pulse-skipping mode. In pulse-skipping mode, full switching frequency is maintained to lower load currents than Burst Mode. The SYNC/MODE pin can also be used to synchronize the switching frequency to an external clock. The switching frequency for all regulators can be programmed either via an oscillator resistor or an external clock over a 350kHz to 3MHz range. At all frequencies, a 180° phase shift is maintained between channel 1 and channel 2, channel 3 and channel 4, reducing the input peak current and voltage ripple.

The demo board has an EMI filter installed on the bottom layer. The conducted and radiated EMI performance of the board is shown on Figure 4. The red line in Figure 4 is CISPR25 Class 5 peak limit. The figure shows that the circuit passes the test with a wide margin. To achieve EMI/EMC performance as shown in Figure 4, the input EMI filter is required, and the input voltage should be applied at VEMI turret.

The LT8686S data sheet gives a complete description of the part operation and application information. The data sheet must be read in conjunction with this quick start guide for DC3126A. The LT8686S is assembled in a 5mm × 5mm LQFN package with exposed pads for low thermal resistance. Proper board layout is essential for both low EMI operation and best thermal performance.

[Design files for this circuit board are available.](#)

All registered trademarks and trademarks are the property of their respective owners.

DEMO MANUAL DC3126A

PERFORMANCE SUMMARY Specifications are at $T_A = 25^\circ\text{C}$

SYMBOL	PARAMETER	CONDITIONS	MIN	TYP	MAX	UNITS
V_{IN_HV}	HV Regulators Input Voltage (V_{IN1}/V_{IN2}) Range		6*	12	42	V
V_{IN_LV}	LV Regulators Input Voltage (V_{IN3}/V_{IN4}) Range		3		8**	V
V_{OUT1}	Output1 Voltage	$V_{IN_HV} = 12\text{V}$	4.8	5	5.2	V
V_{OUT2}	Output2 Voltage	$V_{IN_HV} = 12\text{V}$	3.17	3.3	3.43	V
V_{OUT3}	Output3 Voltage	$V_{IN_LV} = 5\text{V}$	1.73	1.8	1.87	V
V_{OUT4}	Output4 Voltage	$V_{IN_LV} = 5\text{V}$	1.15	1.2	1.25	V
I_{OUT1}	Maximum Output1 Current	No Load on Downstream Channel	2			A
I_{OUT2}	Maximum Output2 Current		2			A
I_{OUT3}	Maximum Output3 Current		2			A
I_{OUT4}	Maximum Output4 Current		2			A
f_{SW}	Switching Frequency		1.8	2	2.25	MHz
EFF	Efficiency	$V_{IN_HV} = 12\text{V}$, $f_{SW} = 2\text{MHz}$, $V_{OUT1} = 5\text{V}$, $I_{OUT1} = 1\text{A}$		93.3		%
		$V_{IN_HV} = 12\text{V}$, $f_{SW} = 2\text{MHz}$, $V_{OUT2} = 3.3\text{V}$, $I_{OUT2} = 1\text{A}$		90.8		%
		$V_{IN_LV} = 5\text{V}$, $f_{SW} = 2\text{MHz}$, $V_{OUT3} = 1.8\text{V}$, $I_{OUT3} = 1\text{A}$		92.1		%
		$V_{IN_LV} = 5\text{V}$, $f_{SW} = 2\text{MHz}$, $V_{OUT4} = 1.2\text{V}$, $I_{OUT4} = 1\text{A}$		88.6		%

*The operating input voltage range for V_{IN1} and V_{IN2} is 3V to 42V. The 6V minimum input voltage spec is limited by the 5V output voltage.

**The operating input voltage range for V_{IN3} and V_{IN4} is 3V to 8V. The absolute maximum input voltage for V_{IN3} and V_{IN4} is 10V.

QUICK START PROCEDURE

Demonstration circuit 3126A is easy to set up to evaluate the performance of the LT8686S. Refer to Figure 1 for proper measurement equipment setup and use the following the procedure.

1. With power off, place the jumpers in the following positions:

JP1	JP2	JP3	JP4	JP5	JP6
EN/UVLO	EN2	EN3	EN4	BIAS	SYNC/MODE
ON	ON	ON	ON	VOUT1	BURST

2. With the power off, connect the input power supply to VEMI+ and VEMI-.

3. With the power off, connect the loads from VOUT1, VOUT2, VOUT3, and VOUT4 to GND.
4. Voltmeters can be placed across the output terminals to get accurate output voltage measurements.
5. Turn on the power at the input.

NOTE: Make sure that the input voltage does not exceed 42V.

6. Check for proper output voltages. The output should be regulated at 5V ($\pm 4\%$), 3.3V ($\pm 4\%$), 1.8V ($\pm 4\%$), and 1.2V ($\pm 4\%$).

NOTE: If there is no output, temporarily disconnect the load to ensure that the load is not set too high.

QUICK START PROCEDURE

- Once the proper output voltage is established, adjust the load within the operating ranges and observe the output voltage regulation, ripple voltage, efficiency, and other parameters.

NOTE: When measuring the input or output voltage ripple, take care to avoid a long ground lead on the oscilloscope probe. Measure the output voltage ripple by touching the probe tip directly across the output capacitor. See Figure 2 for the proper scope technique.

- An external clock can be added to the SYNC terminal when SYNC function is used (JP6 on the SYNC position). Use resistor R25 to set the LT8686S switching frequency close to the synchronization frequency.
- (Option) Operation with Different Input Voltages

The low voltage channels, channel 3 and channel 4, can operate with different input voltages instead of 5V VOUT1. The DC3126A provides an onboard 0Ω jumper (R29) to connect VIN_LV to VOUT1 by default. The 0Ω jumper can be removed to disconnect VIN_LV from VOUT1. Apply different input voltages for channel 3 and channel 4 between VIN_LV and GND.

NOTE: Make sure that the VIN_LV input voltage does not exceed 8V.

- (Option) Combining Channels (CH1 + CH2, CH3 + CH4) Configuration

The DC3126A can combine two regulators to create channels with higher current ratings using a single inductor. Channel 1 and channel 2 can be combined to deliver up to 4A of output current. Similarly, channel

3 and channel 4 can be combined to deliver up to 4A of output current. Channel 1 and channel 3 are main channels, channel 2 and channel 4 are subordinates.

The following simple modification is required:

- Tie the SW1 and SW2 pins together with a low impedance connection. Tie SW3 and SW4 together with a low impedance connection. Since SW1 and SW2, SW3 and SW4 are connected, there is only one inductor needed for each output rail. Calculate and insert the inductors needed for L1 and L3, and remove L2 and L4.
- Tie the BST1 and BST2 pins together with 0Ω resistors (R9, R12). Tie the BST3 and BST4 pins together with 0Ω resistors (R15, R18).
- Tie the FB2 and FB4 pins to INTVCC with 0Ω resistors (R31, R32). Keep the resistor divider networks on the main channels and remove the resistor divider networks on subordinate channels.
- Float (do not use) PG2 and PG4. Only PG1 and PG3 are active.
- Float (do not use) TRK/SS2 and TRK/SS4. Only TRK/SS1 and TRK/SS3 are active.
- Tie EN/UVLO and EN2 together with a 0Ω resistor (R27), EN3 and EN4 together with a 0Ω resistor (R30).

QUICK START PROCEDURE

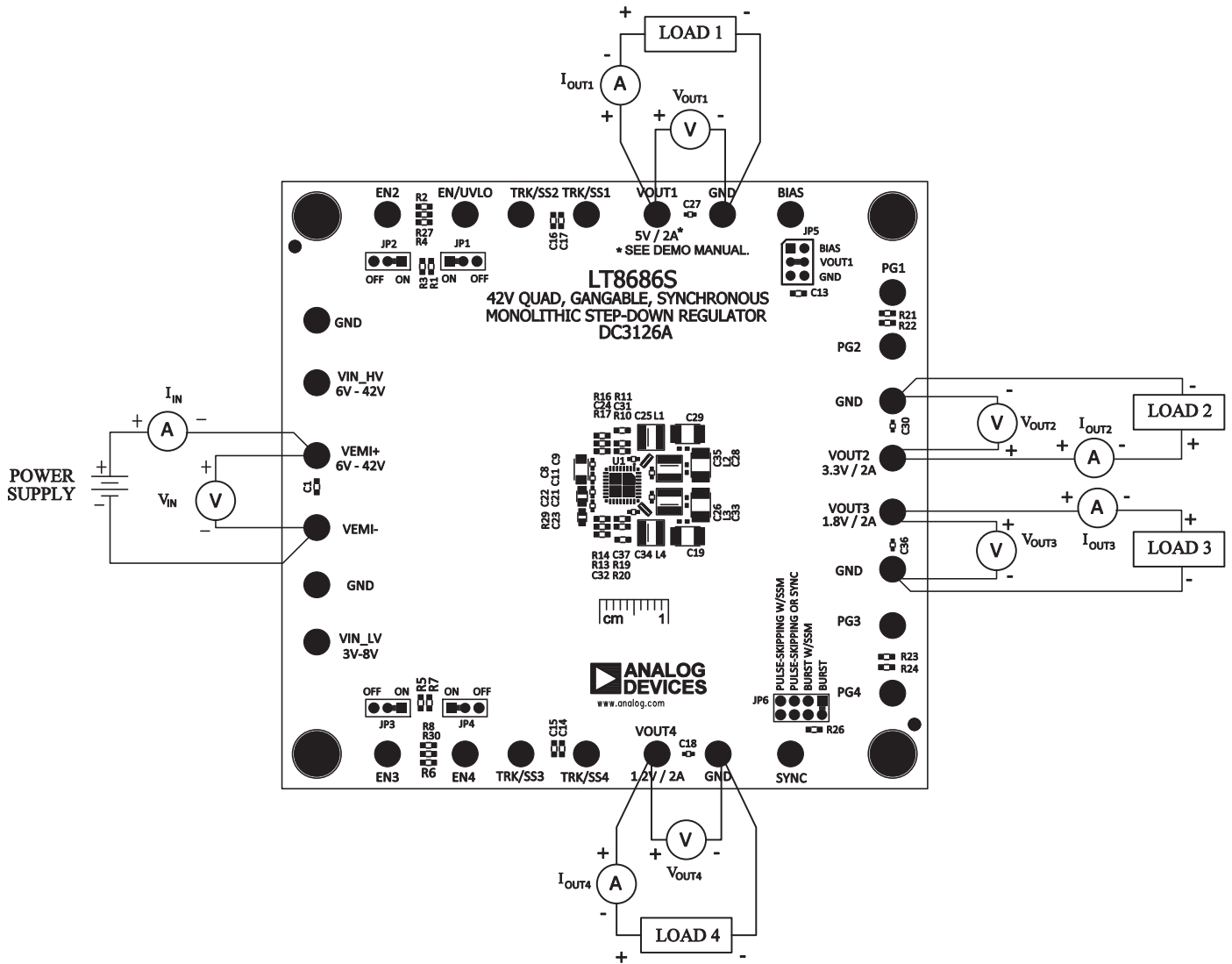


Figure 1. Proper Measurement Equipment Setup

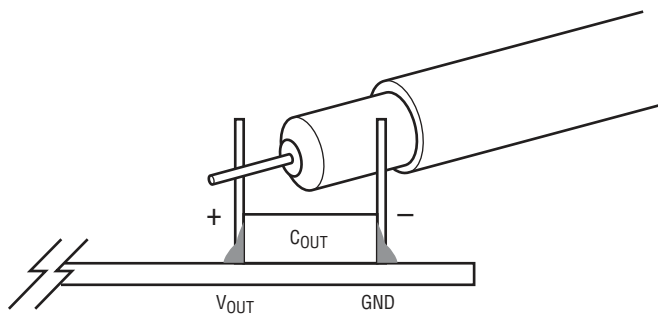


Figure 2. Scope Probe Placement for Measuring Input or Output Voltage Ripple

TYPICAL PERFORMANCE CHARACTERISTICS

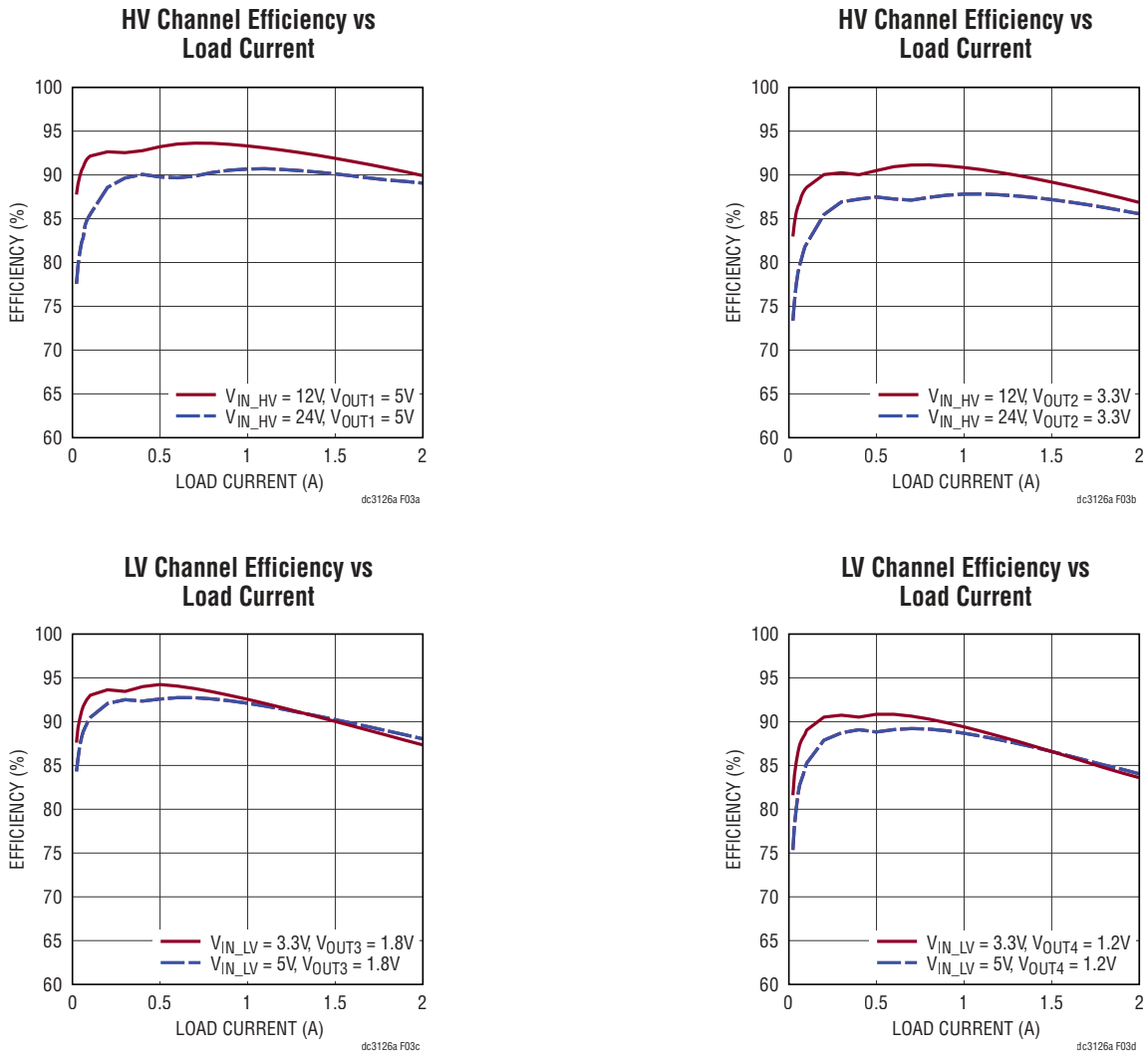
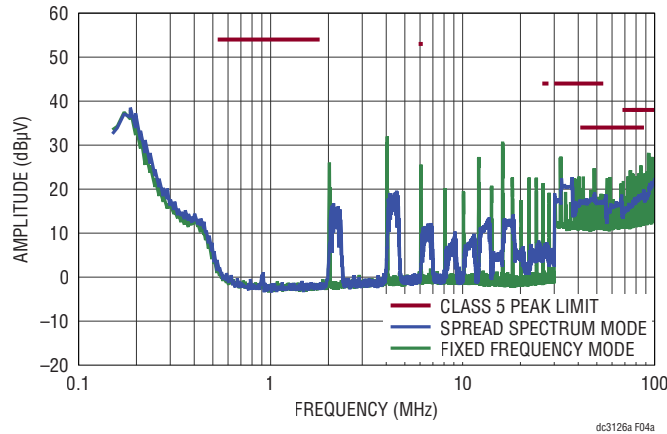


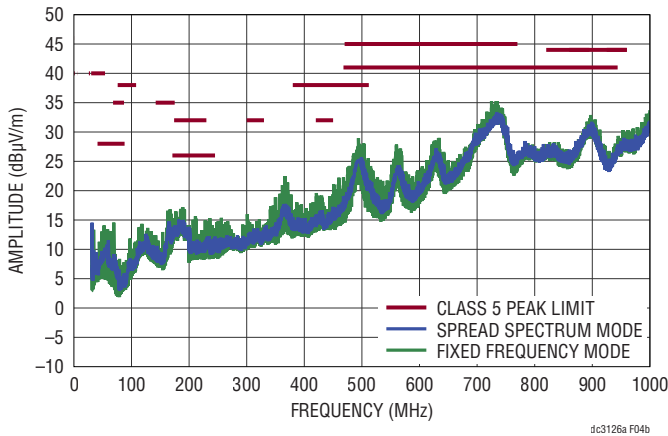
Figure 3. HV and LV Channel Efficiency vs Load Current at $V_{IN_HV} = 12V$ at $24V$, $V_{IN_LV} = 3.3V$ at $5V$, Burst Mode, and 2MHz Switching Frequency

TYPICAL PERFORMANCE CHARACTERISTICS

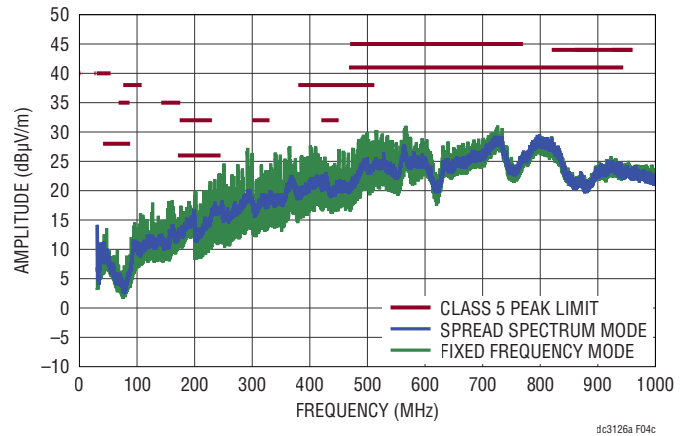
Conducted EMI Performance



**Radiated EMI Performance – Horizontal Polarization
(CISPR25 Radiated Emission Test with
Class 5 Peak Limits)**



**Radiated EMI Performance – Vertical Polarization
(CISPR25 Radiated Emission Test with
Class 5 Peak Limits)**



**Figure 4. LT8686S Demo Circuit EMI Performance in CISPR25 Conducted and Radiated Emission Test
(VEMI = 14V, V_{OUT1} = 5V, V_{OUT2} = 3.3V, V_{OUT3} = 1.8V, V_{OUT4} = 1.2V, I_{OUT1} = 2A (Includes Current Supplying
V_{IN3} and V_{IN4}), I_{OUT2} = I_{OUT3} = I_{OUT4} = 2A, 2MHz Switching Frequency)**

PARTS LIST

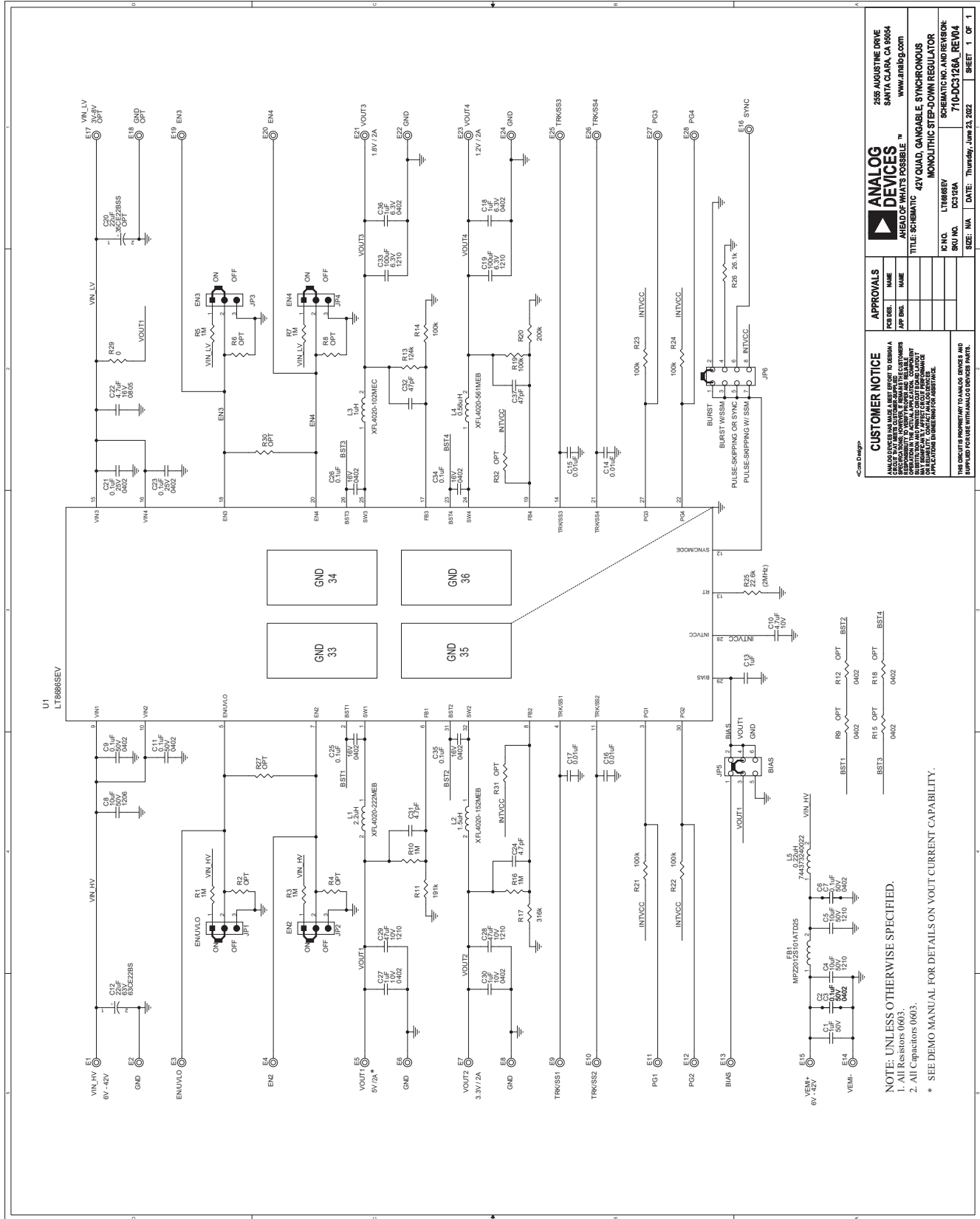
ITEM	QTY	REFERENCE	PART DESCRIPTION	MANUFACTURER/PART NUMBER
Required Circuit Components				
1	2	C1, C13	CAP., 1 μ F, X5R, 50V, 10%, 0603	MURATA, GRT188R61H105KE13D
2	6	C2, C3, C6, C7, C9, C11	CAP., 0.1 μ F, X7R, 50V, 10%, 0402	MURATA, GCM155R71H104KE02D
3	2	C4, C5	CAP., 10 μ F, X7R, 50V, 10%, 1210	MURATA, GRM32ER71H106KA12L
4	1	C8	CAP., 10 μ F, X7R, 50V, 10%, 1206	SAMSUNG, CL31B106KBHNNNE
5	1	C10	CAP., 4.7 μ F, X5R, 10V, 10%, 0603	AVX, 0603ZD475KAT2A
6	1	C12	CAP., 22 μ F, ALUM ELECT, 63V, 20%, SMD, RADIAL, CE-BS SERIES	SUN ELECTRONIC INDUSTRIES CORP, 63CE22BS
7	4	C14, C15, C16, C17	CAP., 0.01 μ F, X7R, 25V, 10%, 0603	MURATA, GRM188R71E103KA01D
8	2	C18, C36	CAP., 1 μ F, X7R, 6.3V, 10%, 0402	MURATA, GRM155R70J105KA12D
9	2	C19, C33	CAP., 100 μ F, X7S, 6.3V, 20%, 1210	MURATA, GRM32EC70J107ME15L
10	2	C21, C23	CAP., 0.1 μ F, X7R, 25V, 10%, 0402	MURATA, GCM155R71E104KE02D
11	1	C22	CAP., 4.7 μ F, X7R, 16V, 20%, 0805	TAIYO YUDEN, MCASE21GAB7475MTNA01
12	2	C24, C31	CAP., 4.7pF, X7R, 10V, 10%, 0603	AVX, 06033A4R7KAT2A
13	4	C25, C26, C34, C35	CAP., 0.1 μ F, X7R, 16V, 10%, 0402	MURATA, GCM155R71C104KA55D
14	2	C27, C30	CAP., 1 μ F, X5R, 10V, 10%, 0402	MURATA, GRM155R61A105KE15D
15	2	C28, C29	CAP., 47 μ F, X7R, 10V, 10%, 1210	MURATA, GRM32ER71A476KE15L
16	2	C32, C37	CAP., 47pF, COG, 25V, 10%, 0603	AVX, 06035A4R7BAT2A
17	1	FB1	IND., 100 Ω AT 100MHz, FERRITE BEAD, 25%, 4A, 20m Ω , 0805	TDK, MPZ2012S101ATD25
18	1	L1	IND., 2.2 μ H, PWR, SHIELDED, 20%, 8A, 23.5m Ω	COILCRAFT, XFL4020-222MEB
19	1	L2	IND., 1.5 μ H, PWR, 20%, 9.1A, 15.8m Ω , SMD, SHIELDED	COILCRAFT, XFL4020-152MEB
20	1	L3	IND., 1 μ H, PWR, SHIELDED, 20%, 11A, 11.9m Ω , SMD	COILCRAFT, XFL4020-102MEB
21	1	L4	IND., 0.56 μ H, PWR, 20%, 6A, 5.53m Ω , SMD	XFL4020-561MEB
22	1	L5	IND., 0.22 μ H, PWR, SHIELDED, 30%, 9.5A, 7.3m Ω , 4020	WURTH ELEKTRONIK, 744373240022
23	6	R1, R3, R5, R7, R10, R16	RES., 1M, 1%, 1/10W, 0603	VISHAY, CRCW06031M00FKEA
24	1	R11	RES., 191k, 1%, 1/10W, 0603	PANASONIC, RK73H1JTTD1913F
25	1	R13	RES., 124k, 1%, 1/10W, 0603	PANASONIC, ERJ3EKF1243V
26	6	R14, R19, R21, R22, R23, R24	RES., 100k, 1%, 1/10W, 0603	PANASONIC, ERJ3EKF1003V
27	1	R17	RES., 316k, 1%, 1/10W, 0603	VISHAY, CRCW0603316KFKEA
28	1	R20	RES., 200k, 1%, 1/10W, 0603	VISHAY, CRCW0603200KFKEA
29	1	R25	RES., 22.6k, 1%, 1/10W, 0603	NIC, NRC06F2262TRF
30	1	R26	RES., 26.1k, 1%, 1/10W, 0603	PANASONIC, ERJ3EKF2612V
31	1	R29	RES., 0 Ω , JUMPER, 45A, 0603, COPPER, SENSE	VISHAY, WSL060300000ZE9
32	1	U1	IC, 42V QUAD SYNC. MONOLITHIC STEP-DOWN REGULATOR, LQFN-32	ANALOG DEVICES, LT8686SJ#PBF

DEMO MANUAL DC3126A

PARTS LIST

ITEM	QTY	REFERENCE	PART DESCRIPTION	MANUFACTURER/PART NUMBER
Additional Demo Board Circuit Components				
1	0	C20	CAP., 22 μ F, 35V, 20%, SMD, RADIAL, CE-BSS SERIES	SUN ELECTRONIC INDUSTRIES CORP, 35CE22BSS
2	0	R9, R12, R15, R18	RES., OPTION, 0402	
3	0	R2, R4, R6, R8, R27, R30, R31, R32	RES., OPTION, 0603	
4	0	E17, E18	TEST POINT, TURRET, 0.094" MTG. HOLE, PCB 0.062" THK	MILL-MAX, 2501-2-00-80-00-00-07-0
Hardware: For Demo Board Only				
1	26	E1, E2, E3, E4, E5, E6, E7, E8, E9, E10, E11, E12, E13, E14, E15, E16, E19, E20, E21, E22, E23, E24, E25, E26, E27, E28	TEST POINT, TURRET, 0.094" MTG. HOLE, PCB 0.062" THK	MILL-MAX, 2501-2-00-80-00-00-07-0
2	4	JP1, JP2, JP3, JP4	CONN., HDR, MALE, 1 \times 3, 2mm, VERT, ST, THT	WURTH ELEKTRONIK, 62000311121
3	1	JP5	CONN., HDR, MALE, 2 \times 3, 2mm, VERT, ST, THT	WURTH ELEKTRONIK, 62000621121
4	1	JP6	CONN., HDR, MALE, 2 \times 4, 2mm, VERT, ST, THT	WURTH ELEKTRONIK, 62000821121
5	4	MP1, MP2, MP3, MP4	STANDOFF, NYLON, SNAP-ON, 0.50"	KEYSTONE, 8833
6	6	XJP1, XJP2, XJP3, XJP4, XJP5, XJP6	CONN., SHUNT, FEMALE, 2-POS, 2mm	WURTH ELEKTRONIK, 60800213421

SCHEMATIC DIAGRAM



Information furnished by Analog Devices is believed to be accurate and reliable. However, no responsibility is assumed by Analog Devices for its use, nor for any infringements of patents or other rights of third parties that may result from its use. Specifications subject to change without notice. No license is granted by implication or otherwise under any patent or patent rights of Analog Devices.



ESD Caution

ESD (electrostatic discharge) sensitive device. Charged devices and circuit boards can discharge without detection. Although this product features patented or proprietary protection circuitry, damage may occur on devices subjected to high energy ESD. Therefore, proper ESD precautions should be taken to avoid performance degradation or loss of functionality.

Legal Terms and Conditions

By using the evaluation board discussed herein (together with any tools, components documentation or support materials, the "Evaluation Board"), you are agreeing to be bound by the terms and conditions set forth below ("Agreement") unless you have purchased the Evaluation Board, in which case the Analog Devices Standard Terms and Conditions of Sale shall govern. Do not use the Evaluation Board until you have read and agreed to the Agreement. Your use of the Evaluation Board shall signify your acceptance of the Agreement. This Agreement is made by and between you ("Customer") and Analog Devices, Inc. ("ADI"), with its principal place of business at One Technology Way, Norwood, MA 02062, USA. Subject to the terms and conditions of the Agreement, ADI hereby grants to Customer a free, limited, personal, temporary, non-exclusive, non-sublicensable, non-transferable license to use the Evaluation Board FOR EVALUATION PURPOSES ONLY. Customer understands and agrees that the Evaluation Board is provided for the sole and exclusive purpose referenced above, and agrees not to use the Evaluation Board for any other purpose. Furthermore, the license granted is expressly made subject to the following additional limitations: Customer shall not (i) rent, lease, display, sell, transfer, assign, sublicense, or distribute the Evaluation Board; and (ii) permit any Third Party to access the Evaluation Board. As used herein, the term "Third Party" includes any entity other than ADI, Customer, their employees, affiliates and in-house consultants. The Evaluation Board is NOT sold to Customer; all rights not expressly granted herein, including ownership of the Evaluation Board, are reserved by ADI. CONFIDENTIALITY. This Agreement and the Evaluation Board shall all be considered the confidential and proprietary information of ADI. Customer may not disclose or transfer any portion of the Evaluation Board to any other party for any reason. Upon discontinuation of use of the Evaluation Board or termination of this Agreement, Customer agrees to promptly return the Evaluation Board to ADI. ADDITIONAL RESTRICTIONS. Customer may not disassemble, decompile or reverse engineer chips on the Evaluation Board. Customer shall inform ADI of any occurred damages or any modifications or alterations it makes to the Evaluation Board, including but not limited to soldering or any other activity that affects the material content of the Evaluation Board. Modifications to the Evaluation Board must comply with applicable law, including but not limited to the RoHS Directive. TERMINATION. ADI may terminate this Agreement at any time upon giving written notice to Customer. Customer agrees to return to ADI the Evaluation Board at that time. LIMITATION OF LIABILITY. THE EVALUATION BOARD PROVIDED HEREUNDER IS PROVIDED "AS IS" AND ADI MAKES NO WARRANTIES OR REPRESENTATIONS OF ANY KIND WITH RESPECT TO IT. ADI SPECIFICALLY DISCLAIMS ANY REPRESENTATIONS, ENDORSEMENTS, GUARANTEES, OR WARRANTIES, EXPRESS OR IMPLIED, RELATED TO THE EVALUATION BOARD INCLUDING, BUT NOT LIMITED TO, THE IMPLIED WARRANTY OF MERCHANTABILITY, TITLE, FITNESS FOR A PARTICULAR PURPOSE OR NON-INFRINGEMENT OF INTELLECTUAL PROPERTY RIGHTS. IN NO EVENT WILL ADI AND ITS LICENSORS BE LIABLE FOR ANY INCIDENTAL, SPECIAL, INDIRECT, OR CONSEQUENTIAL DAMAGES RESULTING FROM CUSTOMER'S POSSESSION OR USE OF THE EVALUATION BOARD, INCLUDING BUT NOT LIMITED TO LOST PROFITS, DELAY COSTS, LABOR COSTS OR LOSS OF GOODWILL. ADI'S TOTAL LIABILITY FROM ANY AND ALL CAUSES SHALL BE LIMITED TO THE AMOUNT OF ONE HUNDRED US DOLLARS (\$100.00). EXPORT. Customer agrees that it will not directly or indirectly export the Evaluation Board to another country, and that it will comply with all applicable United States federal laws and regulations relating to exports. GOVERNING LAW. This Agreement shall be governed by and construed in accordance with the substantive laws of the Commonwealth of Massachusetts (excluding conflict of law rules). Any legal action regarding this Agreement will be heard in the state or federal courts having jurisdiction in Suffolk County, Massachusetts, and Customer hereby submits to the personal jurisdiction and venue of such courts. The United Nations Convention on Contracts for the International Sale of Goods shall not apply to this Agreement and is expressly disclaimed.