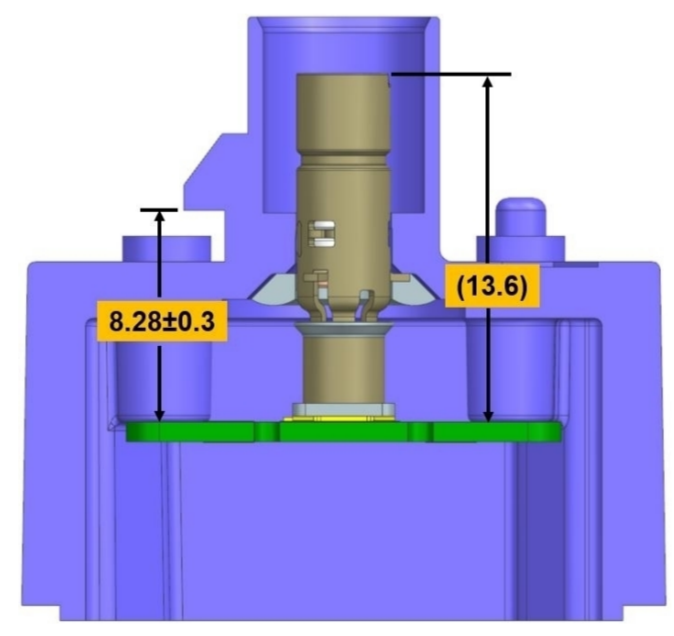
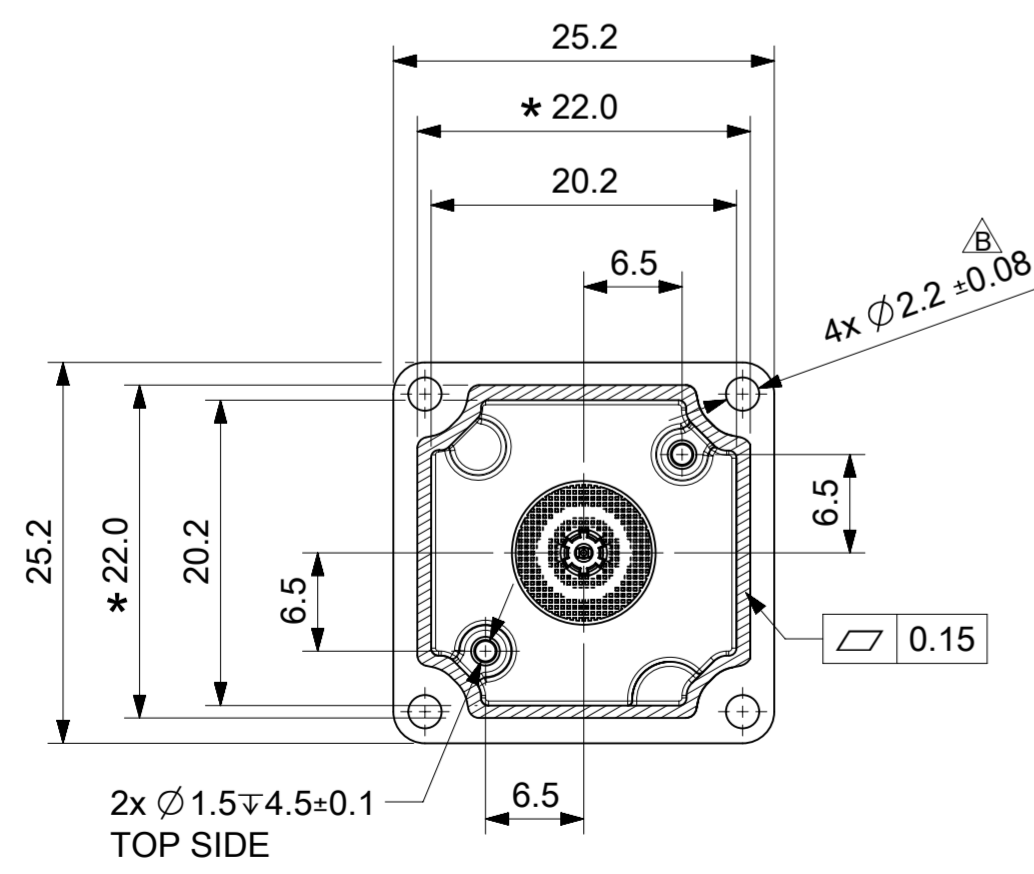
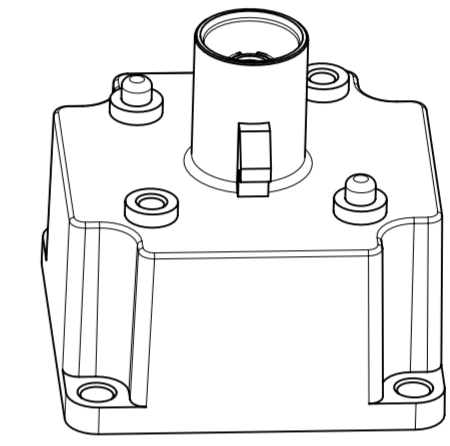
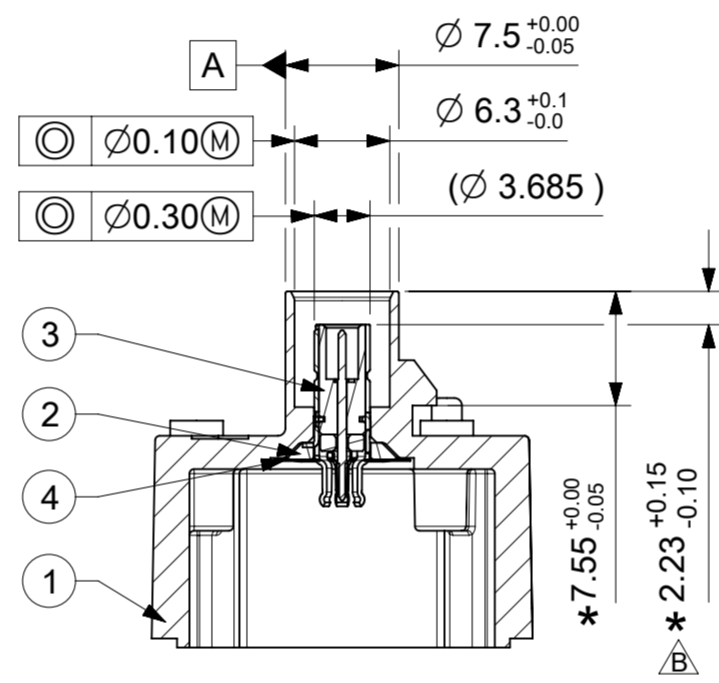
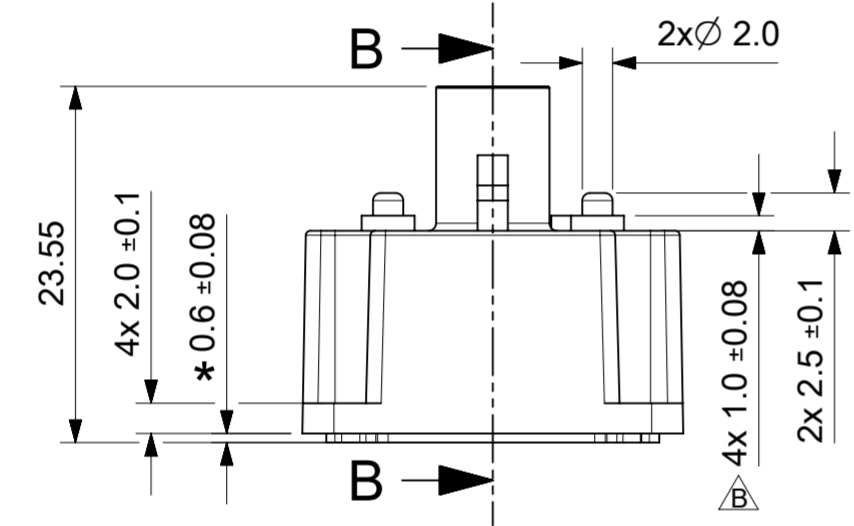
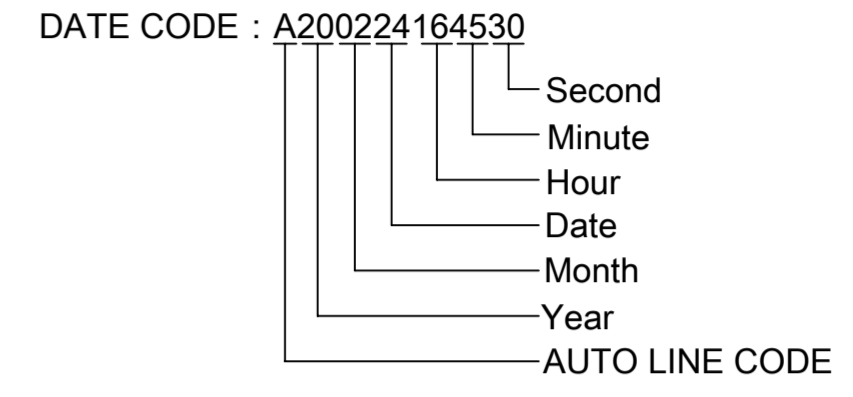
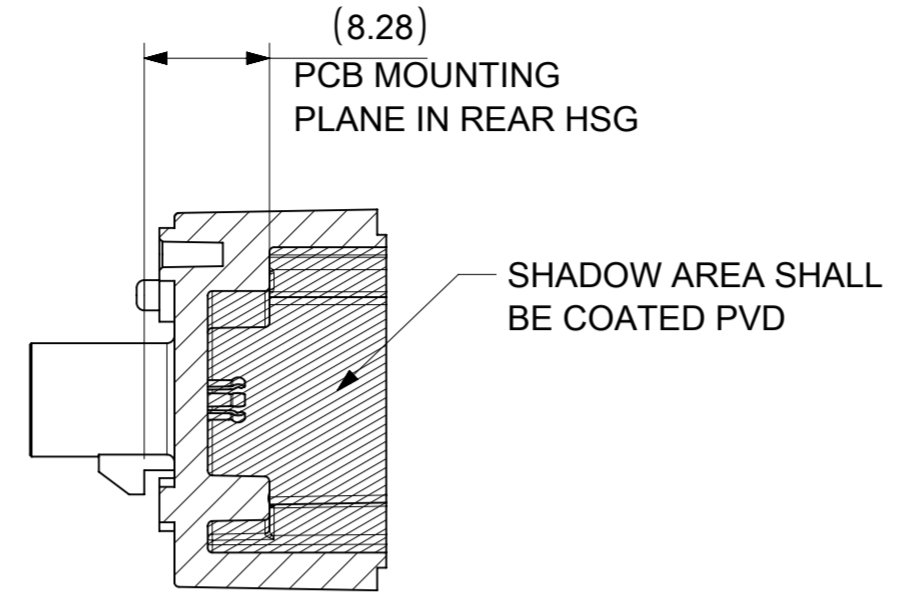
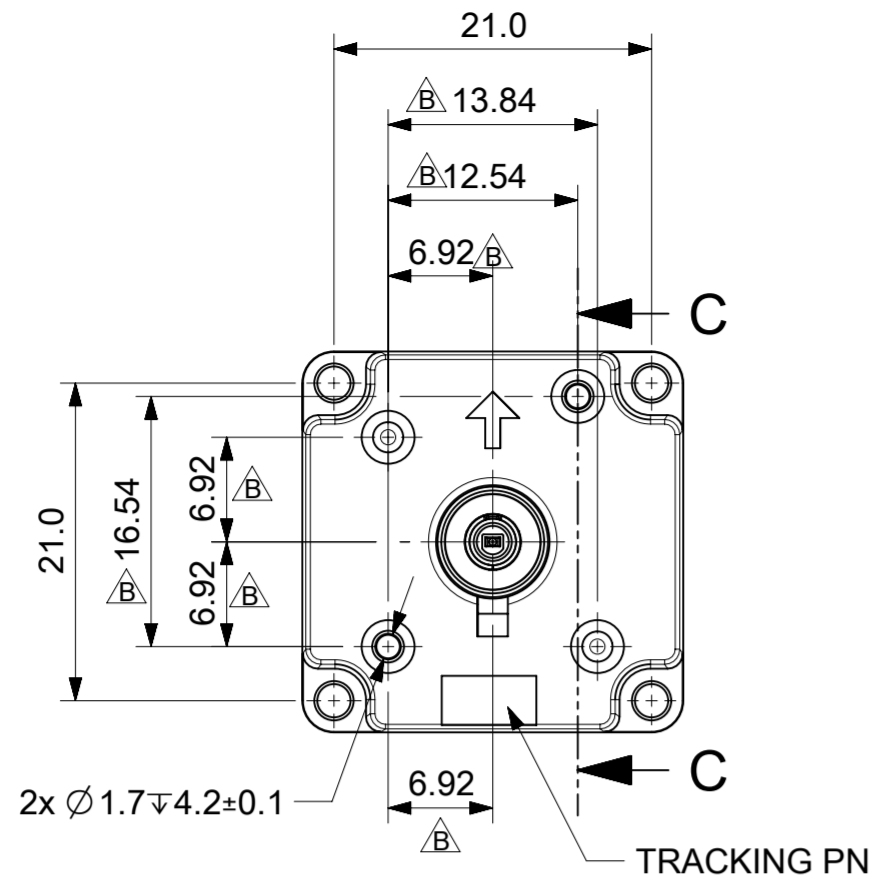


Dim.(mm)	TOLERANCE
0~3	±0.05
3~6	±0.08
6~18	±0.10
18~30	±0.15
30~50	±0.20
ANGLE	1°

REVISION				
EC NO	DATE	REV	DESCRIPTION	CHANGER
NA	2020/08/31	A	INITIAL RELEASE	BERT LIU
CY22-5100	2022/2/16	B	UPDATE DIMS AND NOTES	LIHUA LIU



- NOTES :
- SHELL MATERIAL : BASF PBT+GF30% (B4330G6 HR BK15045).
PVD MATERIAL: Cu+Ni+Ag. PVD AREA: INNER BACK SHELL.
DUE TO SILVER OXIDIZES EASILY, IT IS ACCEPTABLE THAT PVD COATING TURNS YELLOW.
 - AIR LEAKAGE TEST AT 100±10Kpa, LEAKAGE 0.1SCCM MAX.
 - UNDIMENSIONED REFER TO 3D MODEL.
DIMENSIONS WITHOUT TOLERANCE REFER TO TOLERACE TABLE.
 - NO SINK MARK, WELDING LINE, SHRINKAGE, SCRATCH, CRACK, CONTAMINATION ETC.
 - DRAFT IS LESS THAN 1° , UNDEFINED RADIUS SHALL BE R0.3MM ,
 - PRODUCT MEET IPX7 WITHOUT CABLE MATING.
IPX9K COMPLIANCE MATED WITH WATERPROOF CABLE (IPX9K CABLE).
 - PACKAGING REQUIREMENT REFER TO THE DETAIL PACKAGING DRAWING ;
 - THE MATING JACK PART NUMBER IS 2087941005.
 - PRODUCT SPEC REFER TO PS-68781-001 AND APPLICATION SPEC AS-68781-001.
 - "Fc" SYMBOLS ARE IMPORTANT DIMS, DIMS SHALL MEET CPK MORE THAN 1.67, THE OTHERS SHALL PASS FAI.

ITEM	DESCRIPTION	QTY
4	CONDUCTIVE TAPE	1 PC
3	CAMERA IO BULLET CONN	1 PC
2	EPOXY GLUE	A/R
1	BACK SHELL FOR GENERAL MARKET	1 PC

FUNCTIONAL SYMBOLS FA=0 FC=0 FP=0	THIS DRAWING CONTAINS INFORMATION THAT IS PROPRIETARY TO MOLEX ELECTRONIC TECHNOLOGIES, LLC AND SHOULD NOT BE USED WITHOUT WRITTEN PERMISSION	SCALE: 2:1			
	DIMENSION UNITS: mm	CURRENT REV DESC:			
DIVISIONAL SYMBOLS	GENERAL TOLERANCES (UNLESS SPECIFIED)	EC NO: 696245		CAMERA IO REAR HSG ASSEMBLY WITH PVD	
	ANGULAR TOL ± °	DRWN: BLIU87 2021/03/22		PRODUCT CUSTOMER DRAWING	
	4 PLACES ±	CHK'D: LHUIU 2022/02/17		DOCUMENT NUMBER: 2083240027	
	3 PLACES ±	APPR: FCHEN11 2022/02/17		DOC TYPE: PSD	
	2 PLACES ±	INITIAL REVISION:		DOC PART: 000	
	1 PLACE ±	DRWN: BLIU87 2020/06/17		REVISION: B	
	0 PLACES ±	APPR: FCHEN11 2020/09/01		SHEET NUMBER: 1 OF 1	
	DRAFT WHERE APPLICABLE MUST REMAIN WITHIN DIMENSIONS	THIRD ANGLE PROJECTION	DRAWING: A2-SIZE	SERIES: 208324	MATERIAL NUMBER: 685920017
				CUSTOMER: GENERAL MARKERT	