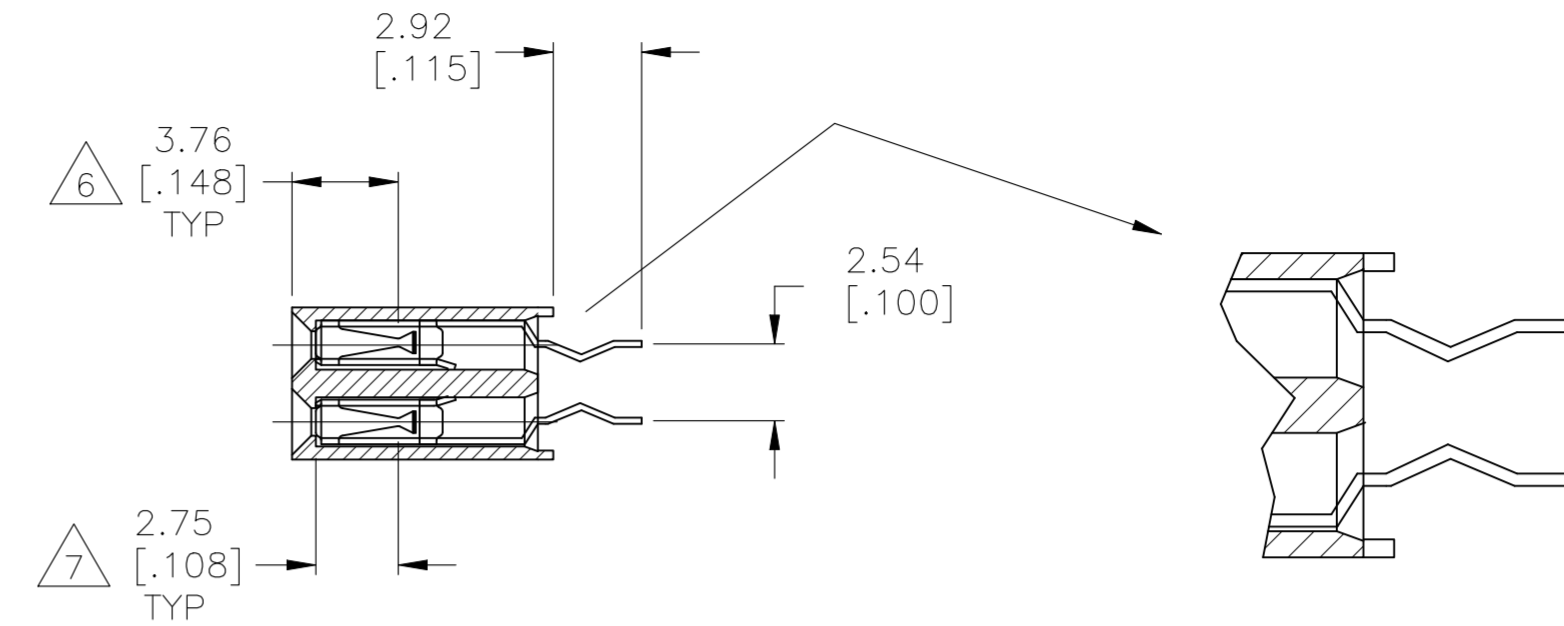
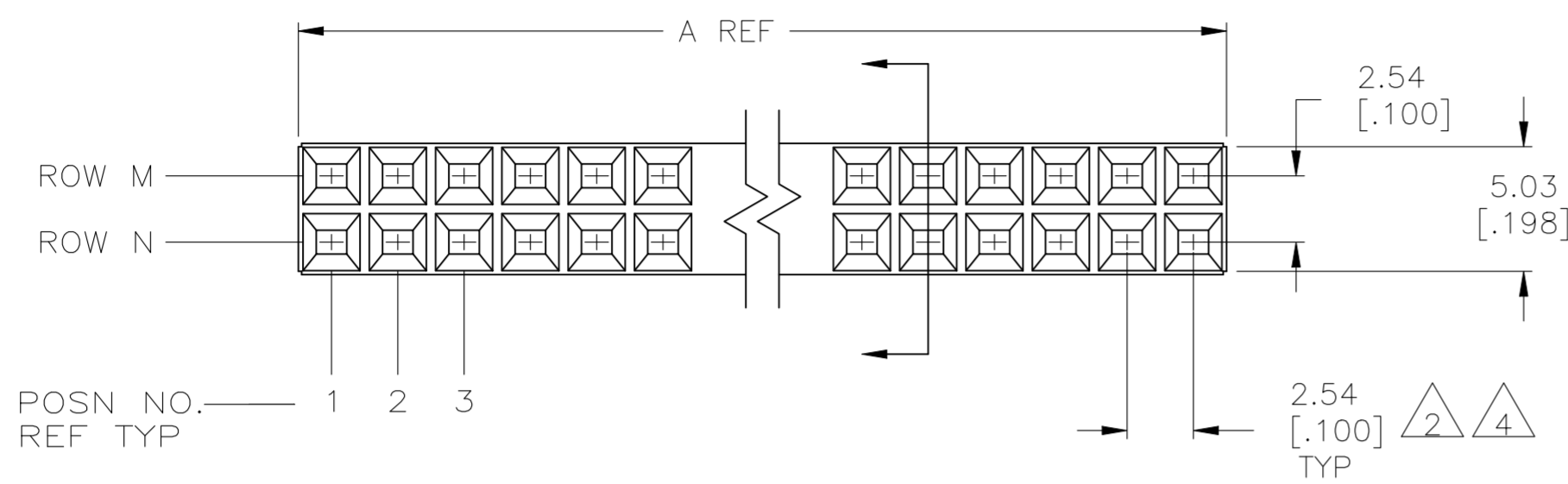
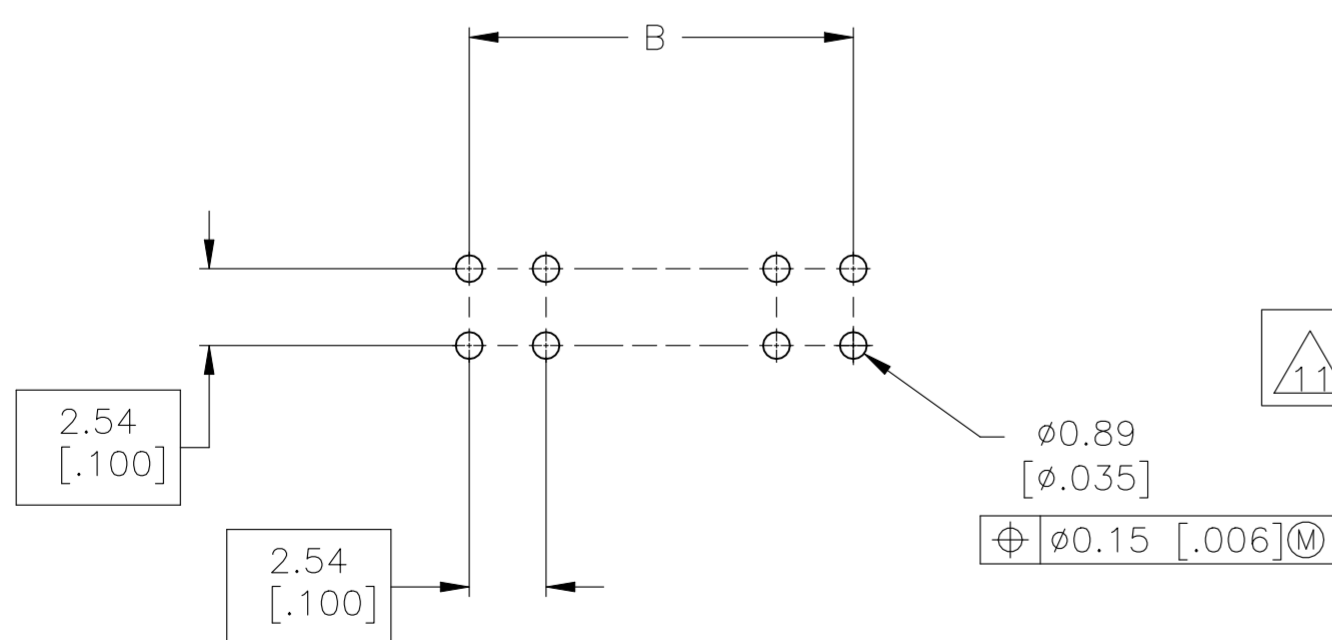
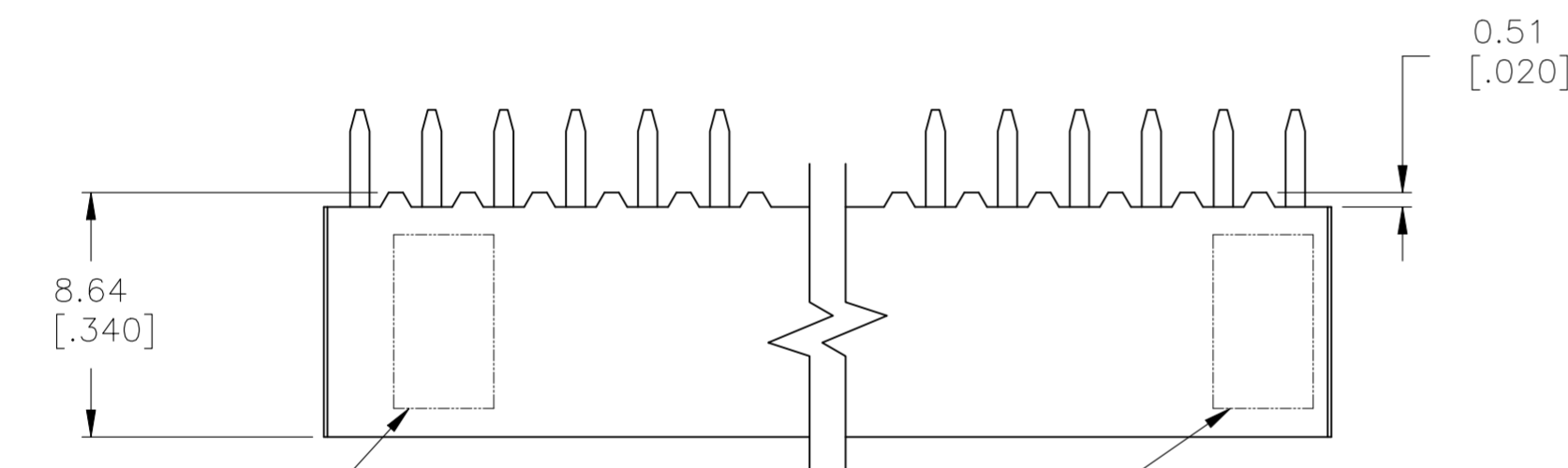


| REVISIONS | | | | | |
|-----------|-----|---------------------------------------|-----------|-----|------|
| P | LTR | DESCRIPTION | DATE | DWN | APVD |
| F | | RESIN SUPPLIER CHANGE FOR THE HOUSING | 02DEC2021 | SCB | KJK |



BOARD RETENTION FEATURE



1. TE LOGO AND CSA LOGO ARE MOLDED INTO HOUSING.
2. TOLERANCE NON-CUMULATIVE
3. DUPLEX PLATED: 0.000762[.000030] GOLD IN CONTACT AREA, 0.00381-0.00762[.000150-.000300] BRIGHT TIN-LEAD ON TINES, ALL OVER 0.00127[.000050] MIN NICKEL
4. THESE DIMENSIONS PERTAIN TO CAVITY CENTERLINES ONLY, NOT TO CONTACT LOCATIONS.
5. HOUSING: GLASS FILLED, FLAME RETARDANT POLYESTER; COLOR-BLACK CONTACT: PHOSPHOR BRONZE
6. POINT OF CONTACT MEASUREMENT.
7. POINT OF MEASUREMENT FOR PLATING THICKNESS. (INCLUDES CONTACT BEAM)
8. PART NUMBER AND DATE CODE ARE MARKED IN APPROXIMATE LOCATION SHOWN.
9. DUPLEX PLATED: 0.000762[.000030] GOLD IN CONTACT AREA, 0.00381-0.00762[.000150-.000300] MATTE TIN, ALL OVER 1.27 [0.000050] MIN NICKEL
10. ROHS 2002 /95/EC COMPLIANT.
11. OBSOLETE PARTS: OBSOLETE CIS STREAMLINING PER D.RENAUD/D.SINISI

| | | | | | | | | | |
|-------------|---|--------------|-----------|------------------|-------|---------------|---------------|------------|---------------|
| 11 OBSOLETE | 9 | 1,2,13,14 | 1,2,13,14 | NONE | 3 | 35.56 [1.400] | 33.02 [1.300] | 28 | 10 5-146148-1 |
| | 3 | 1,2,13,14 | 1,2,13,14 | NONE | 3 | 35.56 [1.400] | 33.02 [1.300] | 28 | 146148-1 |
| FINISH | | ROW M | ROW N | ROW M | ROW N | A | B | NO OF POSN | PART NUMBER |
| | | KINK POSN NO | | POSITION OMITTED | | | | | |

| | | | | | |
|---|---|--------------|----------|-----------|---|
| THIS DRAWING IS A CONTROLLED DOCUMENT. | | DWN | J KNAUB | 8-6-94 | TE Connectivity RECPT. ASSY., MOD II, .100 X .100 , S.P.O.C., |
| DIMENSIONS: mm [INCHES] | | CHK | A GABANY | 8-8-94 | |
| TOLERANCES UNLESS OTHERWISE SPECIFIED: | | APVD | A GABANY | 8-8-94 | |
| 0 PLC ± - 1 PLC ± - 2 PLC ± - 3 PLC ± - 4 PLC ± - ANGLES ± - | | PRODUCT SPEC | | | |
| MATERIAL | 5 | FINISH | 9 | WEIGHT | - |
| CUSTOMER DRAWING | | SIZE | A2 | CAGE CODE | 00779 |
| | | DRAWING NO | C=146148 | | RESTRICTED TO |
| | | SCALE | 4:1 | SHEET | 1 OF 1 |
| | | REV | F | | |