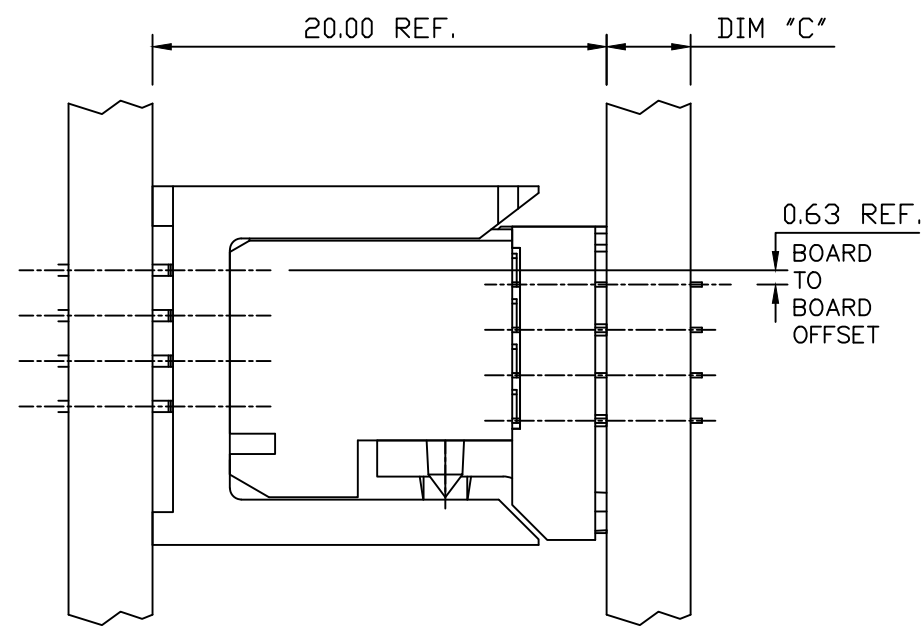
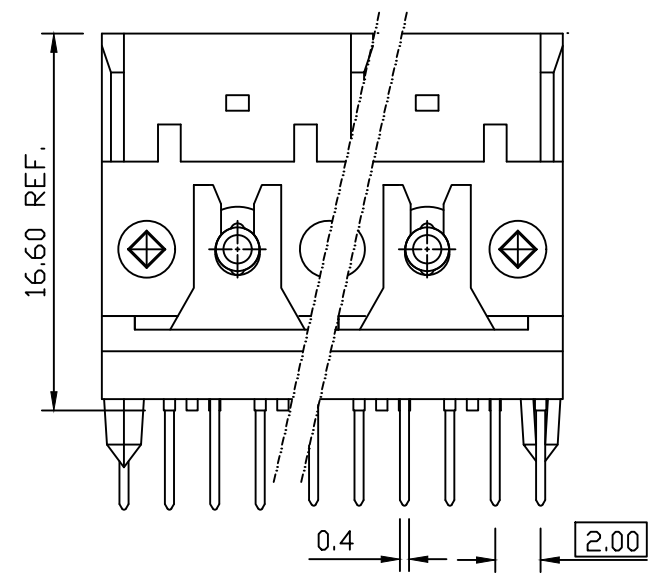
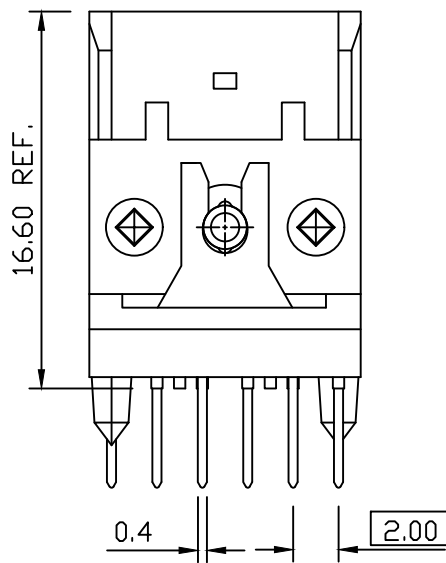
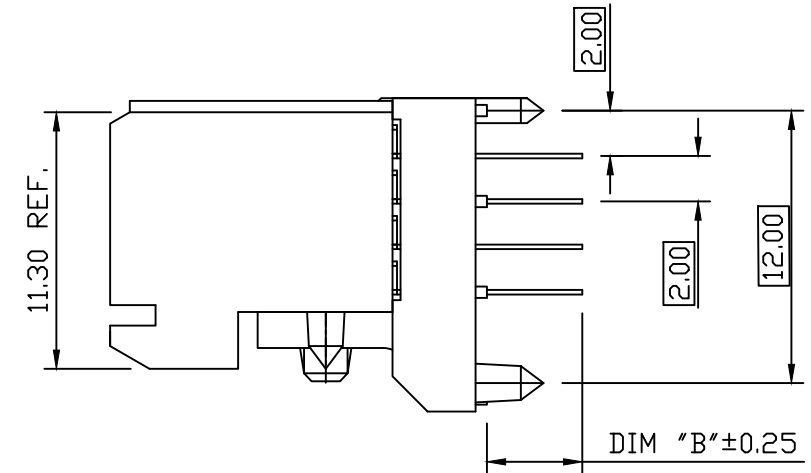
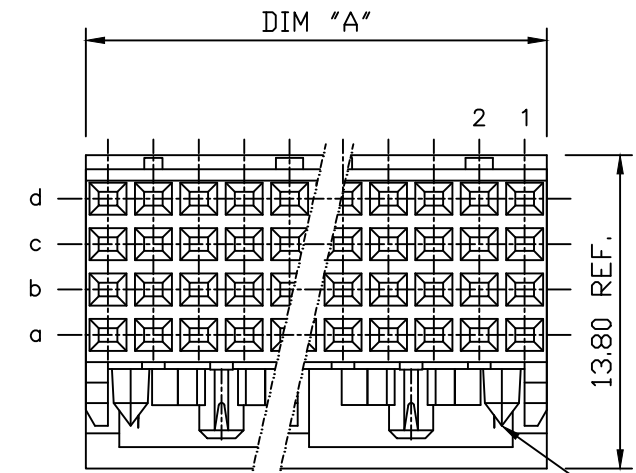
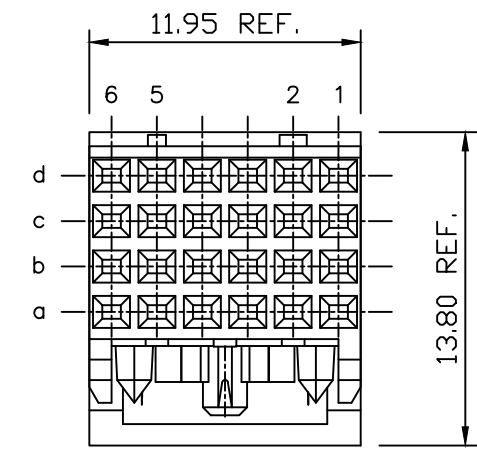


Amphenol FCI
 2016 AFCl
 ©



NOTES:

1. MATERIAL : BODY : LCP UL94-V0
 : CONTACT : COPPER ALLOY.
2. FOR PLATING PERFORMANCE REFER DRAWING # 101594.08 $\triangle S$
3. INDICATED HOLES ARE UN PLATED.
4. APPLICATION SPECIFICATIONS: BUS-20-059,GS-20-001
5. PRODUCT WITH AN "S" SUFFIX WILL HAVE A SPECIAL ALIGNMENT POST AS SPECIFIED PER DETAIL E, SHEET 2.
EXAMPLE/LEAD FREE OPTION: 93235-XYSLF
6. THIS PRODUCT MEETS EUROPEAN UNION DIRECTIVES AND OTHER COUNTRY REGULATIONS AS DESCRIBED IN GS-47- 0004.
7. ALL PRODUCTS WILL WITHSTAND EXPOSURE TO 240°C FOR 60 SECONDS IN A CONVECTION, INFAR-RED OR VAPOR PHASE REFLOW OVEN.
8. DIAMOND LOCATION PEG ARE ONLY EXISTED ON THE BOTH SIDES OF PRODUCT.
9. $\triangle S$ SYMBOL WILL BE NEXT TO ANY DIMENSION, VIEW, OR NOTE WHICH HAS BEEN MODIFIED WITH THE CURRENT DRAWING REVISION.

SEE NOTE-8

REFER NOTE-2

93235-XYSLF

mat'l. code		surface <input checked="" type="checkbox"/> ISO 1302		tolerance <input checked="" type="checkbox"/> ISO 406		projection <input checked="" type="checkbox"/> ISO 1101		product family	
ltr		ecn no		dr		date		METRAL	
P	DG08-0171	TER	2008-03-09	tolerances unless otherwise specified		mm		title	
R	DG09-0068	CENH	2009-03-03	angles	linear	.X±0.3		VERT. SIG. RECEIPT ASSY	
S	ELX-I-38990	MINI	2020-11-17	0°±2°		.XX±0.13		4x6, 4x12, 4x24, 4x48	
						.XXX±0.050		scale -	
				dr	T.BRUNGARD	2003-02-22	Amphenol FCI		dwg no
				enr	ARUN	2020-11-17			sheet 1 of 3
				chr	ALEX BABU	2020-11-17			size
				appd	SANOJ	2020-11-17			A3
sheet index		revision	S	S	S	type			
		sheet	1	2	3	Product Customer Drawing			



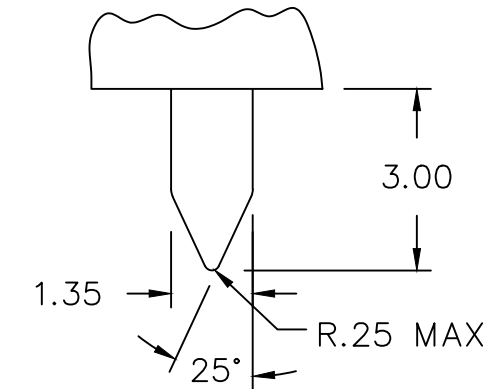
© 2016 AFCI

Amphenol FCI

PRODUCT NUMBER	DIM "A"	TAIL LGTH DIM "B"	PCB THK. DIM "C"	DESCRIPTION
93235-X11LF	11.95 REF.	2.65	1.6	4 ROW 1 MOD
93235-X21LF	23.95 REF.	2.65	1.6	4 ROW 2 MOD
93235-X31LF	47.95 REF.	2.65	1.6	4 ROW 4 MOD
93235-X41LF	95.95 REF.	2.65	1.6	4 ROW 8 MOD
93235-X31SLF 5	47.95 REF.	2.65	1.6	4 ROW 4 MOD
93235-X41SLF 5	95.95 REF.	2.65	1.6	4 ROW 8 MOD

"_" POSITION NOT LOADED
"X" POSITION LOADED

PRODUCT NUMBER	DIM "A"	TAIL LGTH DIM "B"	PCB THK. DIM "C"	DESCRIPTION
93235-X12LF	11.95 REF.	3.45	2.4	4 ROW 1 MOD
93235-X22LF	23.95 REF.	3.45	2.4	4 ROW 2 MOD
93235-X32LF	47.95 REF.	3.45	2.4	4 ROW 4 MOD
93235-X42LF	95.95 REF.	3.45	2.4	4 ROW 8 MOD



VIEW E, NOTE-5
SCALE 2:1

PRODUCT NUMBER	DIM "A"	TAIL LGTH DIM "B"	PCB THK. DIM "C"	DESCRIPTION
93235-X13LF	11.95 REF.	4.25	3.2	4 ROW 1 MOD
93235-X23LF	23.95 REF.	4.25	3.2	4 ROW 2 MOD
93235-X33LF	47.95 REF.	4.25	3.2	4 ROW 4 MOD
93235-X43LF	95.95 REF.	4.25	3.2	4 ROW 8 MOD

PRODUCT NUMBER	DIM "A"	TAIL LGTH DIM "B"	DIM "C"	ROW	Configuration TERMINAL IN POSITION (X)					
					6	5	4	3	2	1
93235-X14LF	11.95 REF.	3.45	2.4	D	X	X	X	X	X	X
				C	X	X	X	X	X	-
				B	X	X	X	X	X	X
				A	X	X	X	X	X	X

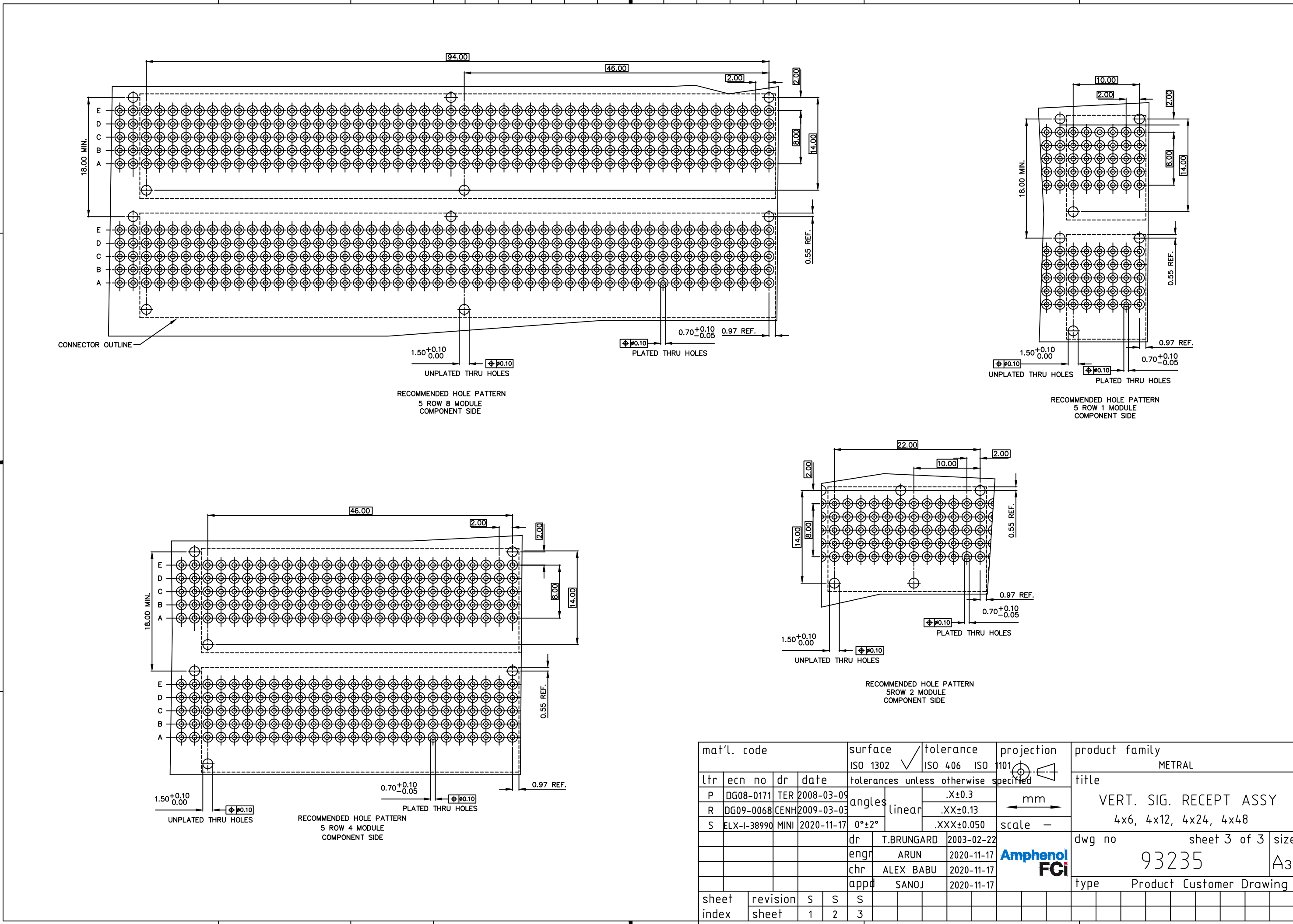
mat'l. code				surface <input checked="" type="checkbox"/> ISO 1302		tolerance <input checked="" type="checkbox"/> ISO 406		projection <input checked="" type="checkbox"/> ISO 1101		product family METRAL			
ltr				ecn no		dr		date		title			
P				DG08-0171		TER		2008-03-09		VERT. SIG. RECEIPT ASSY			
R				DG09-0068		CENH		2009-03-03		4x6, 4x12, 4x24, 4x48			
S				ELX-I-38990		MINI		2020-11-17		scale -			
				dr		T.BRUNGARD		2003-02-22		dwg no			
				enr		ARUN		2020-11-17		sheet 2 of 3			
				chr		ALEX BABU		2020-11-17		size A3			
				appd		SANUJ		2020-11-17		type Product Customer Drawing			
sheet index		revision sheet		S		S		S					
		1 2		3									



Amphenol
FCI

© 2016 AFCI

D



mat'l. code		surface		tolerance		projection		product family	
		ISO 1302		ISO 406		ISO 1101		METRAL	
ltr		ecn no		dr		date		title	
P		DG08-0171		TER		2008-03-09		VERT. SIG. RECEIPT ASSY	
R		DG09-0068		CENH		2009-03-03		4x6, 4x12, 4x24, 4x48	
S		ELX-1-38990		MINI		2020-11-17		0°±2°	
		dr		T.BRUNGARD		2003-02-22		dwg no	
		enr		ARUN		2020-11-17		sheet 3 of 3	
		chr		ALEX BABU		2020-11-17		size	
		appd		SANQJ		2020-11-17		A3	
sheet index		revision		S		S		type	
		sheet		1		2		Product Customer Drawing	