

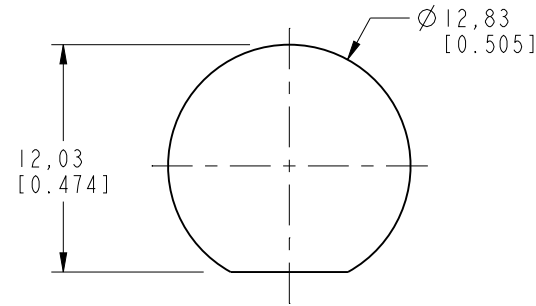
NOTES:

1. MATERIALS AND FINISHES:  
 75 OHM BNC STR BHD JACK - BRASS, NICKEL PLATING  
 75 OHM MCX RA PLUG - BeCu, GOLD PLATING  
 CABLE - BELDEN 4855R
2. ELECTRICAL:  
 A. IMPEDANCE: 75 OHM
3. PACKAGING:  
 A. QUANTITY: SINGLE PACK  
 B. MARKING: BAG TO BE MARKED  
 "AMPHENOL RF, 95-850-242-XXX AND DATE CODE"

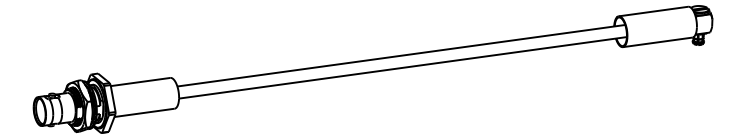
THIRD ANGLE PROJ.

REVISIONS

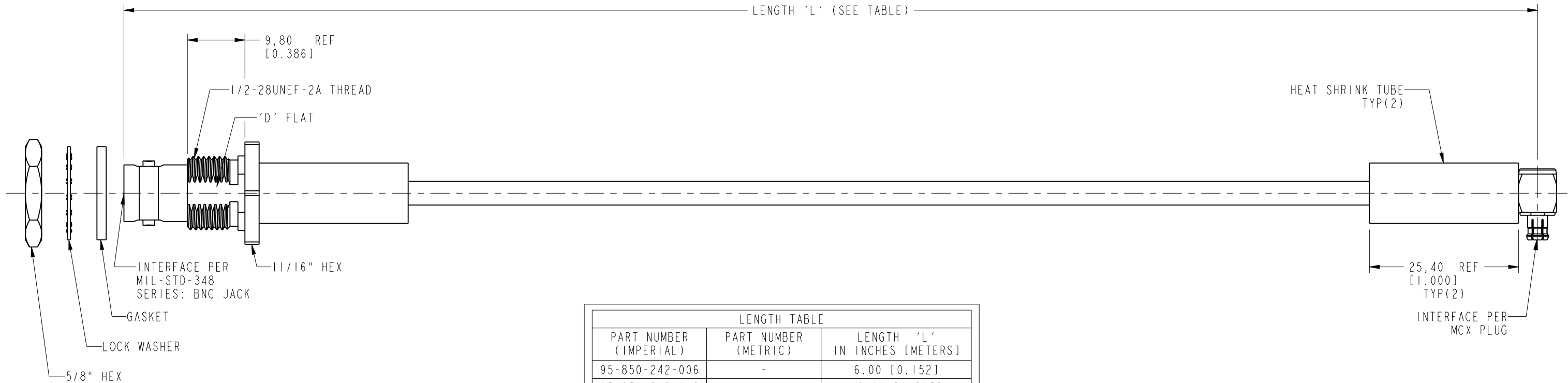
| REV | DESCRIPTION     | DATE      | ECO   | APPR |
|-----|-----------------|-----------|-------|------|
| A   | RELEASE TO MFG. | 25-Nov-19 | 13781 | CL   |



RECOMMENDED MOUNTING HOLE DIMENSIONS



SCALE 0.400



| LENGTH TABLE           |                      |                               |
|------------------------|----------------------|-------------------------------|
| PART NUMBER (IMPERIAL) | PART NUMBER (METRIC) | LENGTH 'L' IN INCHES [METERS] |
| 95-850-242-006         | -                    | 6.00 [0.152]                  |
| 95-850-242-012         | -                    | 12.00 [0.305]                 |
| 95-850-242-018         | -                    | 18.00 [0.457]                 |
| 95-850-242-024         | -                    | 24.00 [0.610]                 |
| 95-850-242-036         | -                    | 36.00 [0.914]                 |
| -                      | 95-850-242M100       | 39.37 [1.000]                 |
| -                      | 95-850-242M200       | 78.74 [2.000]                 |
| -                      | 95-850-242M300       | 118.11 [3.000]                |
| -                      | 95-850-242M500       | 196.85 [5.000]                |

| TOLERANCE TABLE                 |                |
|---------------------------------|----------------|
| LENGTH IN INCHES/FT [METERS]    | TOLERANCE      |
| 0" - 23.90" [0 - 0.607]         | ±0.25" [0.006] |
| 24.00" - 59.00" [0.610 - 1.499] | ±0.50" [0.013] |
| 5.0' - 24.9' [1.524 - 7.617]    | ±2.5%          |
| 25.0' & UP [7.620 & UP]         | ±5.0%          |

DESIGN REQUIREMENTS:

- |  |  |
|--|--|
| <input checked="" type="checkbox"/> FREQUENCY: DC - 12 GHz | <input checked="" type="checkbox"/> CONTINUITY       |
| <input type="checkbox"/> VSWR: _____ 1 MAX.                | <input checked="" type="checkbox"/> HI-POT: 250 VRMS |
| <input type="checkbox"/> INS. LOSS: _____ dB MAX.          | <input type="checkbox"/> OTHER                       |

**CUSTOMER OUTLINE DRAWING**  
 ALL OTHER SHEETS ARE FOR INTERNAL USE ONLY

|   |                              |           |            |  |                                   |
|---|------------------------------|-----------|------------|--|-----------------------------------|
| UNLESS OTHERWISE SPECIFIED, DIMENSIONS ARE IN INCHES AND TOLERANCES ARE:<br>2 PLACE DECIMAL 3 PLACE DECIMAL<br>±.015 (0.381 mm) ±.005 (0.127 mm) ANGLES ± 1°  | MATERIAL                     | DRAWN     | DATE       | TITLE<br>75 OHM BNC STR BHD JACK<br>TO MCX RA PLUG USING<br>BELDEN 4855R CABLE<br>VARIOUS LENGTH | Amphenol RF<br>www.amphenolrf.com |
|   | SEE NOTES                    | CLEMENT   | 29-Oct-19  |  |                                   |
| NOTICE - These drawings, specifications, or other data (1) are, and remain the property of Amphenol corp. (2) must be returned upon request; and (3) are confidential and not to be disclosed to any person other than those to whom they are given by Amphenol Corp. the furnishing of these drawings, specifications, or other data by Amphenol Corp., or to any other person to anyone for any purpose is not to be regarded by implication or otherwise in any manner licensing, granting rights to permitting such holder or any other person to manufacture, use or sell any product, process or design, patented or otherwise, that may in any way be related to or disclosed by said drawings, specifications, or other data. | REFERENCE                    | ENGINEER  | DATE       | DRAWING NO. 95-850-242-XXX<br>ITEM NO. 95-850-242-XXX  |                                   |
|   | EAR # 9491                   | CLEMENT   | 29-Oct-19  |  |                                   |
|   | CONFIGURATION LEVEL: In Work | APPROVED  | DATE       | SCALE: 1.5:1.0 SHEET 2 OF 2  | PART NO. 95-850-242-XXX           |
| FINISH  | K. CAPOZZI                   | 25-Nov-19 | DWG SIZE B | REV A  |                                   |