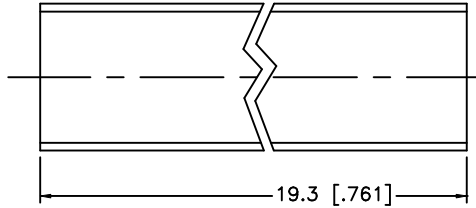
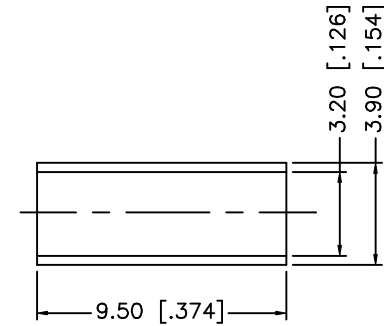
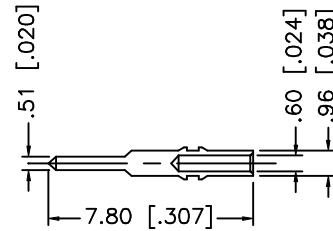
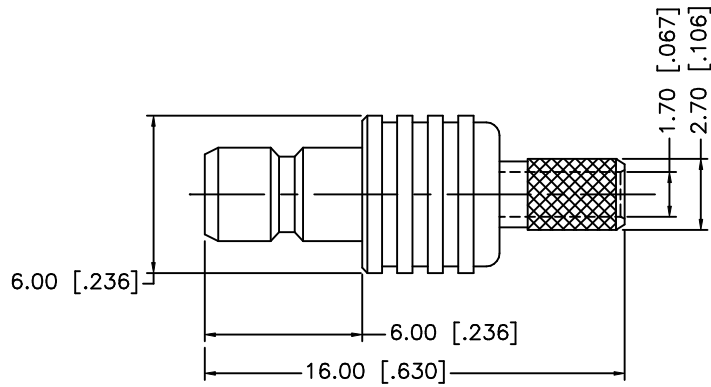
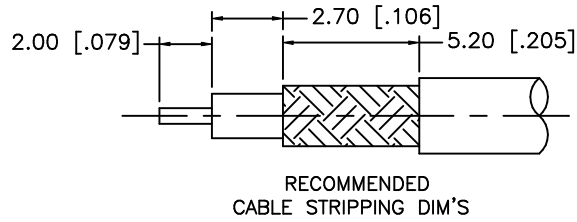


| REV. | DATE | DESCRIPTION |
|------|----------|-----------------------------------|
| A | 02/09/06 | UPDATE DRAWING FORMAT |
| B | 05/08/07 | REVISE BARREL, FERRULE DIMENSIONS |



NOTE:

1. CRIMPED FERRULE HEX CRIMP SIZE .128"
2. CRIMPED CONTACT PIN SQ. CRIMP SIZE 0.7mm

| 8 | | | | UNLESS OTHERWISE SPECIFIED DIMENSIONS ARE IN MILLIMETERS. DIMENSIONS IN [] ARE IN INCHES AND FOR CUSTOMER REFERENCE ONLY. | APPROVALS | DATE | Amphenol Connex | | | |
|---|------------------|----------|---------|--|----------------------------|----------|---------------------------|--|--|--|
| 7 | | | | UNLESS OTHERWISE SPECIFIED TOLERANCES FOR MILLIMETERS ARE: 0.5 - 8mm ± 0.20mm 8 - 30mm ± 0.40mm 30 - 120mm ± 0.50mm | DRAWN G.R.S. | 05/08/07 | | | | |
| 6 | | | | UNLESS OTHERWISE SPECIFIED TOLERANCES FOR INCHES ARE: .020 - .315 = ± 0.007" .315 - 1.180 = ± 0.015" 1.180 - 4.724 = ± 0.020" | CHECKED | | PART NO. 142189 | | | |
| 5 | HEAT SHRINK TUBE | | 1 | | ISSUED | | | | | |
| 4 | FERRULE | COPPER | GOLD | 1 | SHEET 1 OF 1 | | REV. B | | | |
| 3 | CONTACT PIN | BRASS | GOLD | 1 | CAD FILE C:/142/142189.DWG | | | | | |
| 2 | INSULATOR | TEFLON | NATURAL | 1 | | | SIZE A | | | |
| 1 | BODY | BRASS | GOLD | 1 | | | | | | |
| | DESCRIPTION | MATERIAL | FINISH | QTY | | | | | | |