

1-282002-3 ✓ ACTIVE

RAST | RAST 5 IDC Connectors

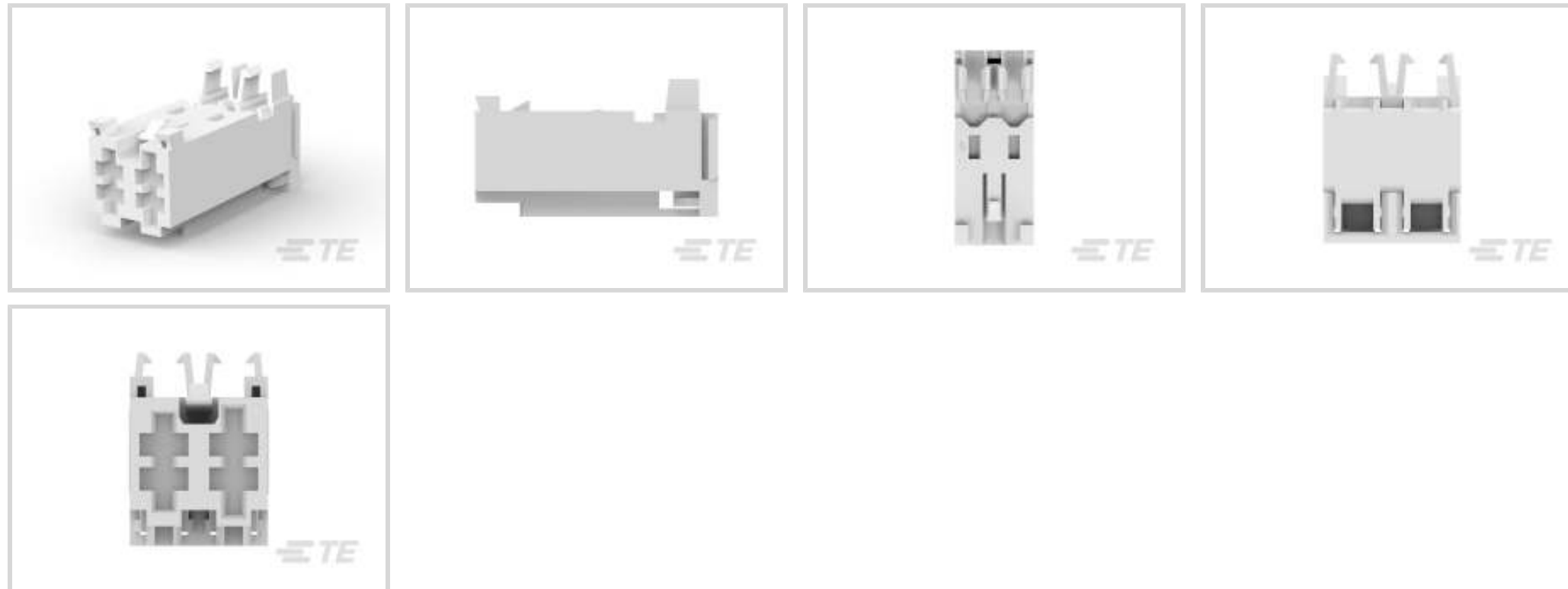
TE Internal #: 1-282002-3

Standard Rectangular Connectors, Connector Assembly,
Receptacle, Mating Alignment, Polarization Mating Alignment
Type, RAST 5 IDC Connectors

[View on TE.com >](#)



Connectors > Rectangular Connectors > Standard Rectangular Connectors



Connector Product Type: **Connector Assembly**

Connector & Housing Type: **Receptacle**

Mating Alignment: **With**

Mating Alignment Type: **Polarization**

Mating Retention: **With**

Features

Product Type Features

| | |
|------------------------------------|--------------------|
| Compatible With Discrete Wire Type | Stranded |
| Connector Product Type | Connector Assembly |
| Connector & Housing Type | Receptacle |
| Connector System | Wire-to-Board |
| Sealable | No |
| Connector & Contact Terminates To | Wire & Cable |

Configuration Features

| | |
|---------------------|-----|
| Number of Cavities | 2 |
| Contacts Preloaded | Yes |
| Number of Positions | 2 |
| Number of Rows | 1 |

Electrical Characteristics

| | |
|-------------------|---------|
| Operating Voltage | 380 VAC |
|-------------------|---------|

Contact Features



| | |
|--|------------|
| Contact Type | Receptacle |
| Wire Contact Termination Area Plating Material | Tin |
| Contact Mating Area Plating Material | Tin |
| Contact Retention Within Housing | With |
| Contact Current Rating (Max) | 16 A |

Termination Features

| | |
|------------------------------------|-------------------------------|
| Termination Method to Wire & Cable | Insulation Displacement (IDC) |
|------------------------------------|-------------------------------|

Mechanical Attachment

| | |
|-------------------------|----------------------------|
| Mating Alignment | With |
| Mating Alignment Type | Polarization |
| Mating Retention | With |
| Mating Retention Type | Locking Latch |
| Connector Mounting Type | Cable Mount (Free-Hanging) |

Housing Features

| | |
|--------------------|---------------|
| Housing Material | PA 6.6 |
| Housing Color | Red |
| Centerline (Pitch) | 5 mm[.197 in] |

Dimensions

| | |
|------------------|--------------------------|
| Connector Height | 24.5 mm[.964 in] |
| Product Width | 14 mm[.55 in] |
| Product Length | 9.9 mm[.39 in] |
| Wire Size | .5 – 1.5 mm ² |

Usage Conditions

| | |
|-----------------------------|----------------------------|
| Operating Temperature Range | -25 – 105 °C[-13 – 221 °F] |
|-----------------------------|----------------------------|

Operation/Application

| | |
|---------------------|-------|
| Shielded | No |
| Circuit Application | Power |

Industry Standards

| | |
|------------------------|------------|
| UL Rating | Recognized |
| Agency/Standard | UL, VDE |
| Approved Standards | UL E28476 |
| UL Flammability Rating | UL 94V-2 |



Packaging Features

| | |
|------------------|------|
| Packaging Method | Tray |
|------------------|------|

Product Compliance





[For compliance documentation, visit the product page on TE.com>](#)

| | |
|---|--|
| EU RoHS Directive 2011/65/EU | Compliant |
| EU ELV Directive 2000/53/EC | Compliant |
| China RoHS 2 Directive MIIT Order No 32, 2016 | No Restricted Materials Above Threshold |
| EU REACH Regulation (EC) No. 1907/2006 | Current ECHA Candidate List: JUNE 2023 (235) Candidate List Declared Against: JAN 2023 (233) Does not contain REACH SVHC |
| Halogen Content | Not Low Halogen - contains Br or Cl > 900 ppm. |
| Solder Process Capability | Not applicable for solder process capability |

Product Compliance Disclaimer

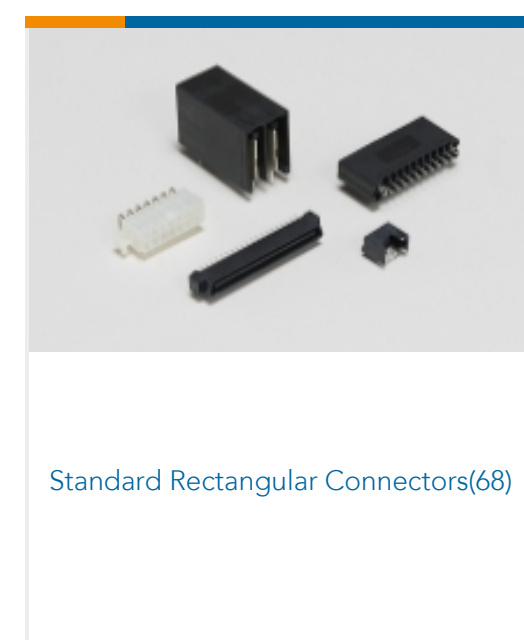
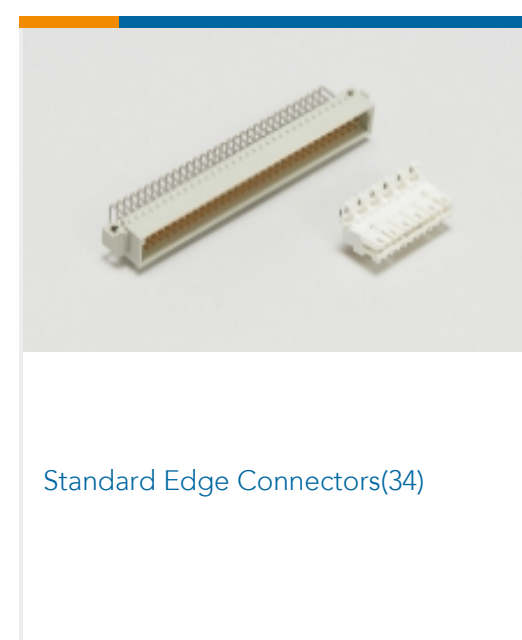
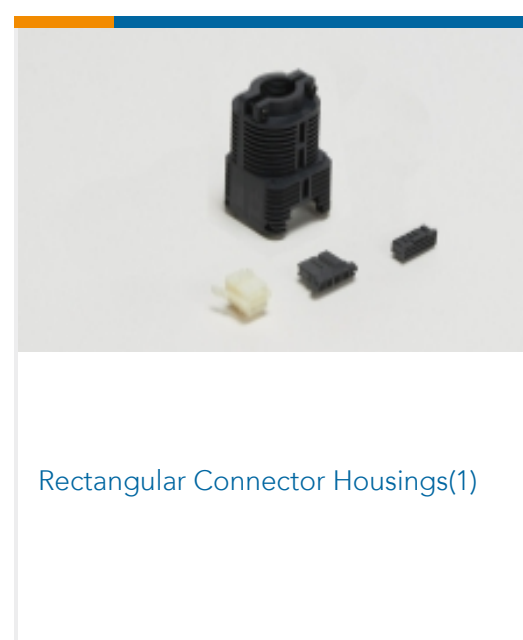
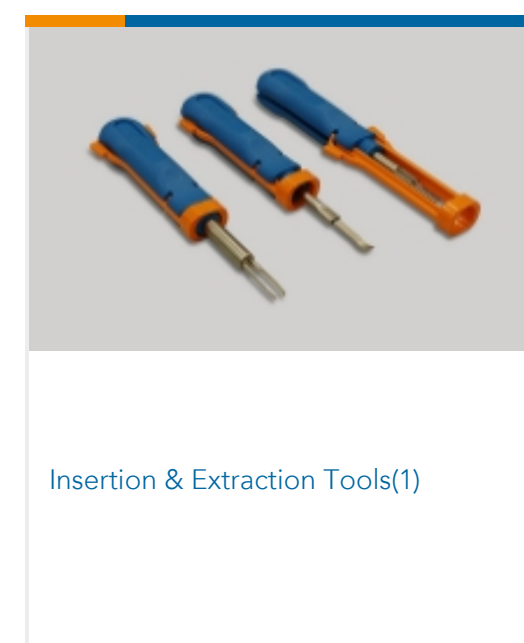
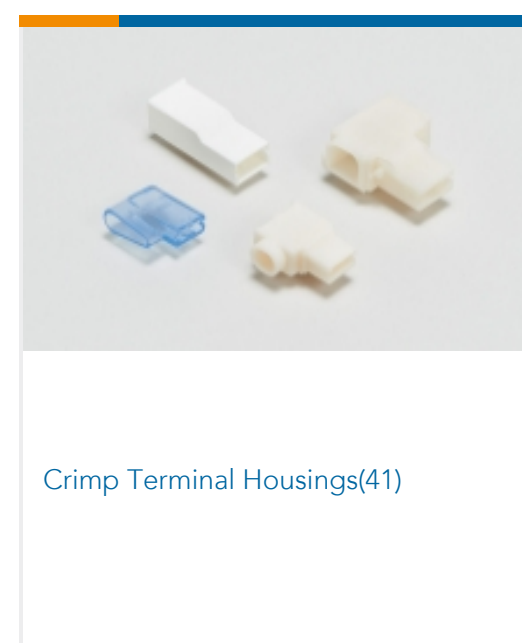
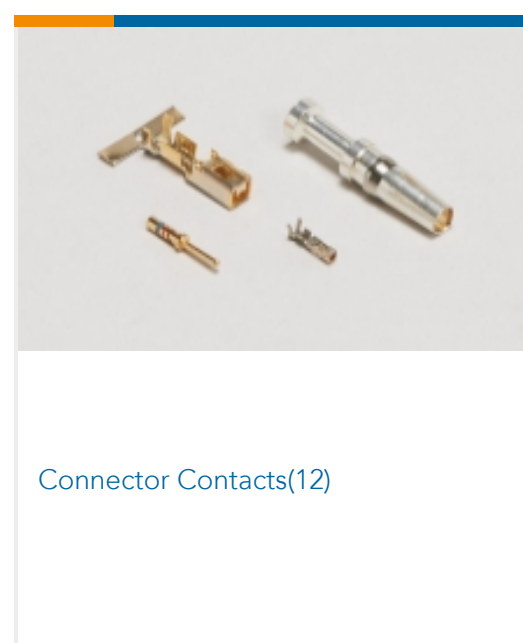
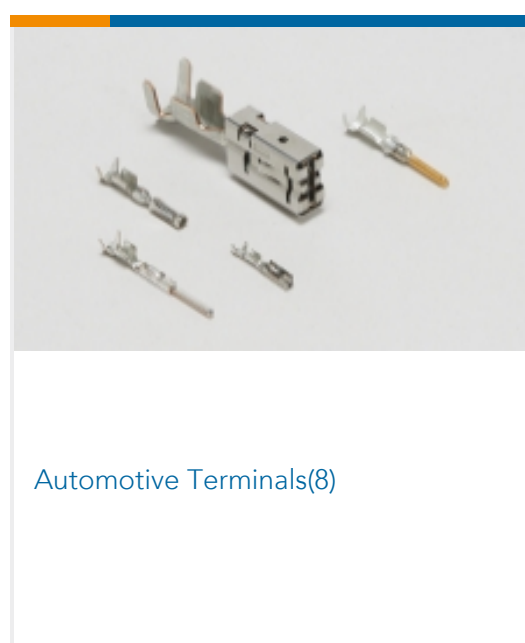
This information is provided based on reasonable inquiry of our suppliers and represents our current actual knowledge based on the information they provided. This information is subject to change. The part numbers that TE has identified as EU RoHS compliant have a maximum concentration of 0.1% by weight in homogenous materials for lead, hexavalent chromium, mercury, PBB, PBDE, DBP, BBP, DEHP, DIBP, and 0.01% for cadmium, or qualify for an exemption to these limits as defined in the Annexes of Directive 2011/65/EU (RoHS2). Finished electrical and electronic equipment products will be CE marked as required by Directive 2011/65/EU. Components may not be CE marked. Additionally, the part numbers that TE has identified as EU ELV compliant have a maximum concentration of 0.1% by weight in homogenous materials for lead, hexavalent chromium, and mercury, and 0.01% for cadmium, or qualify for an exemption to these limits as defined in the Annexes of Directive 2000/53/EC (ELV). Regarding the REACH Regulation, the information TE provides on SVHC in articles for this part number is based on the latest European Chemicals Agency (ECHA) 'Guidance on requirements for substances in articles' posted at this URL: <https://echa.europa.eu/guidance-documents/guidance-on-reach>

Compatible Parts

| | | | |
|---|---|--|---|
|  <p>TE Part # 1-282002-6 MONO-SHAPE MK I TAB CONN ASSY</p> |  <p>TE Part # 1-282004-1 AMP MONO-SHAPE TAB CONN 4P. G</p> |  <p>TE Part # 1-282002-2 AMP MONO-SHAPE TAB CONN 2P. G</p> |  <p>TE Part # 1-282002-1 AMP MONO-SHAPE TAB CONN 2P.</p> |
|---|---|--|---|



Also in the Series | RAST 5 IDC Connectors



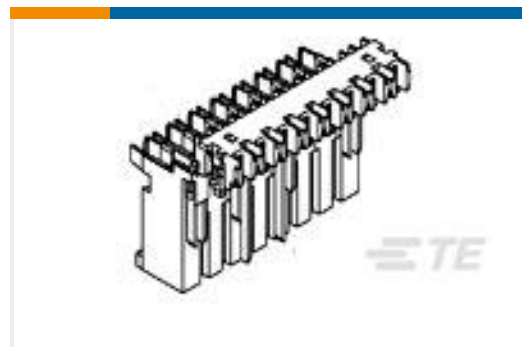
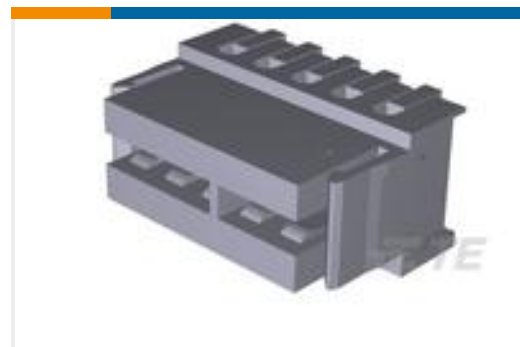
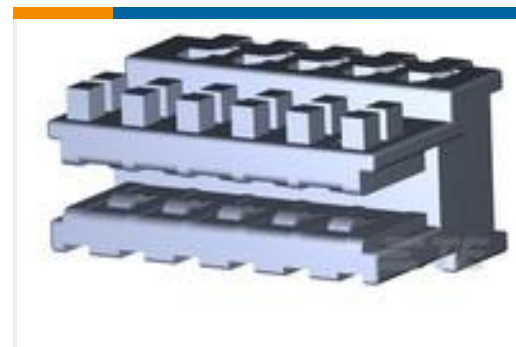
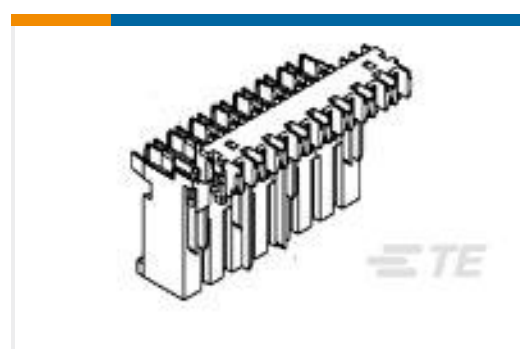
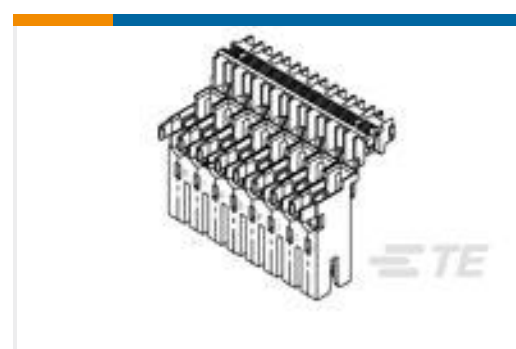
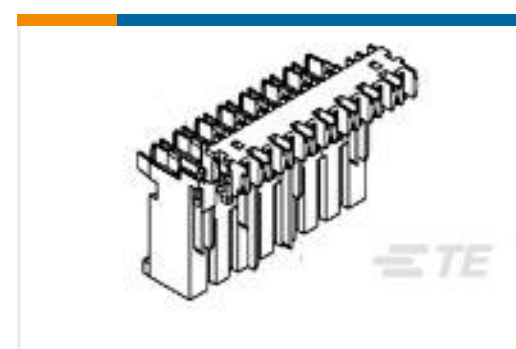


Wire-to-Board Connector Assemblies & Housings(214)



Wire-to-Board Connector Contacts(2)

Customers Also Bought

TE Part #1-282003-1
MONO-SHAPE TAB CONN 3P. ASSYTE Part #284865-5
Direct mount card edge conn.,TE Part #284930-5
DUOPLUG Standard, female conn.TE Part #1-282004-1
AMP MONO-SHAPE TAB CONN 4P. GTE Part #284970-3
Duoplug Std 3 pos. reinf. coverTE Part #1-282002-8
MONO-SHAPE MK I TAB CONN ASSYTE Part #1-282044-1
AMP MONO-SHAPE P.C.B.CONN4P. GTE Part #1-284396-1
AMP MONO-SHAPE 3 POS TAB CONNTE Part #284930-4
DUOPLUG Standard, female conn.TE Part #4-284932-5
DUOPLUG MKI STD,KEYED 2/3,5 POS, ORANGE

Documents

Product Drawings

[AMP MONO-SHAPE TAB CONN 2P. G](#)

English

CAD Files

[3D PDF](#)

[3D](#)

[Customer View Model](#)

[ENG_CVM_CVM_1-282002-3_V.2d_dxf.zip](#)



English

Customer View Model

[ENG_CVM_CVM_1-282002-3_V.3d_igs.zip](#)

English

Customer View Model

[ENG_CVM_CVM_1-282002-3_V.3d_stp.zip](#)

English

By downloading the CAD file I accept and agree to the [Terms and Conditions](#) of use.

Datasheets & Catalog Pages

[1654742_HOUSEHOLD_APPLIANCES_RAST5](#)

English

Product Specifications

[Application Specification](#)

English