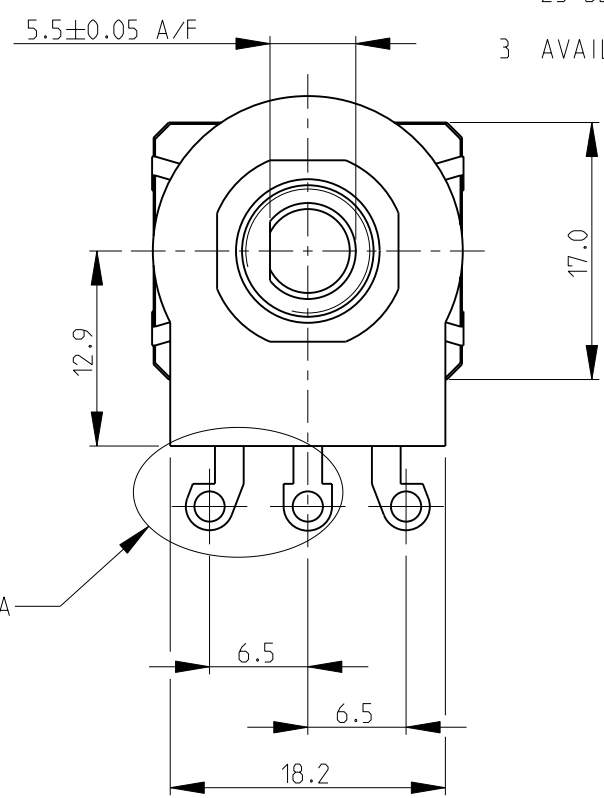
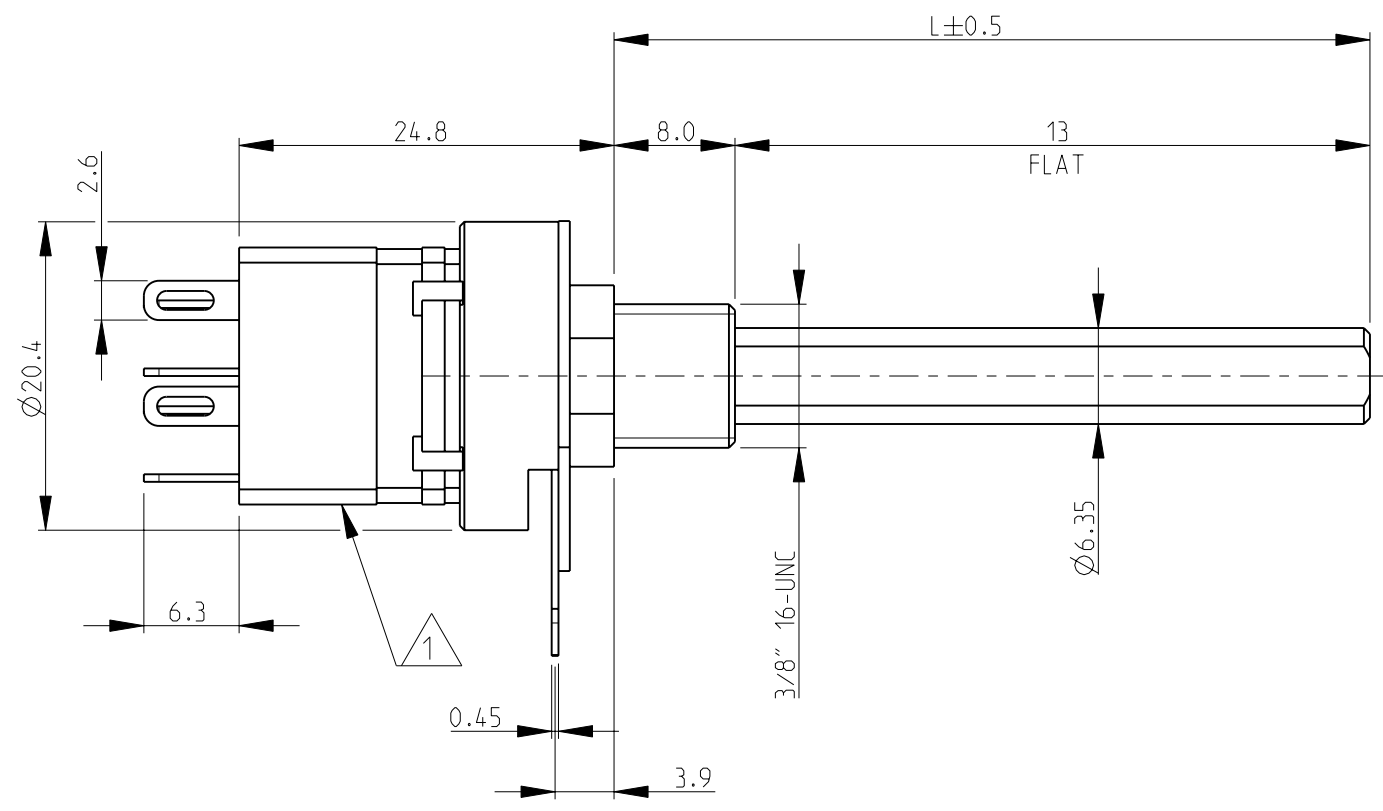
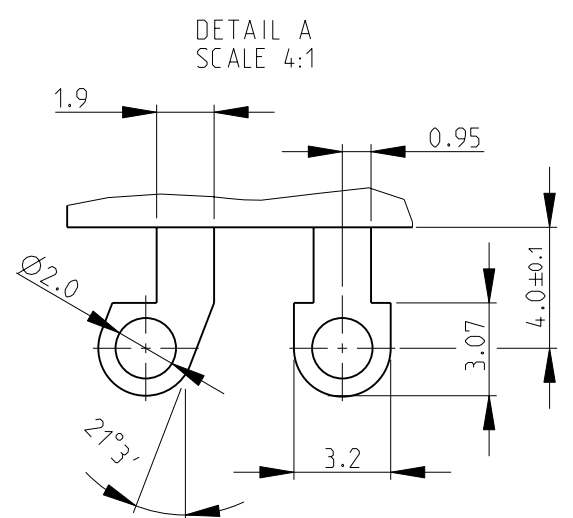


THIS DRAWING IS UNPUBLISHED. RELEASED FOR PUBLICATION 2008
 © COPYRIGHT 2008 BY TYCO ELECTRONICS CORPORATION. ALL RIGHTS RESERVED.

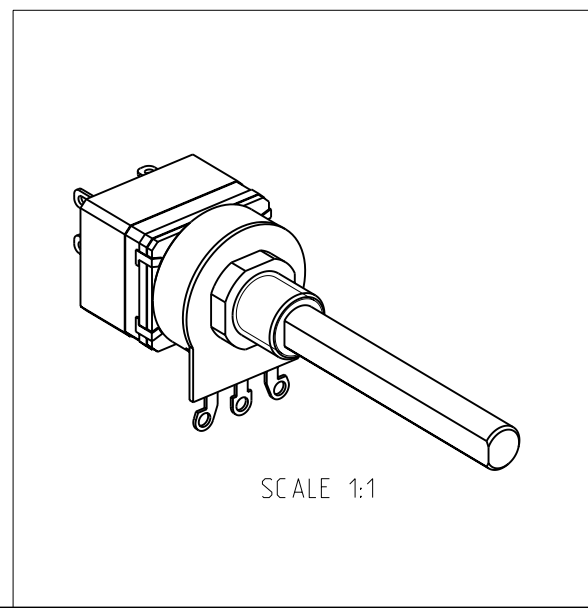
LOC	DIST	REVISIONS			
P	LTR	DESCRIPTION	DATE	DWN	APVD
E	B	BA	NEW RELEASE	30-Jul-08	SM St.P



- 1 SWITCH TYPE: DPST (4A)
- 2 FOR FURTHER INFORMATION SEE DATA SHEET FOR 23 SERIES-SPINDLE OPERATED POTENTIOMETER
- 3 AVAILABLE IN DIFFERENT SHAFT LENGTHS (L) SEE DATA SHEET



RoHS Compliant



THIS DRAWING IS A CONTROLLED DOCUMENT FOR TYCO ELECTRONICS CORPORATION IT IS SUBJECT TO CHANGE AND THE CONTROLLING ENGINEERING ORGANIZATION SHOULD BE CONTACTED FOR THE LATEST REVISION.		DWN SUBHASH.M 30-Jul-08	Tyco Electronics Corporation Dorcan, Swindon, SN3 5HH	
DIMENSIONS: mm		CHK PRAKASH.S 30-Jul-08	NAME SPINDLE OPERATED POTENTIOMETER SERIES 23SE	
TOLERANCES UNLESS OTHERWISE SPECIFIED:		APVD STEPHEN.P 30-Jul-08	PRODUCT SPEC -	
0 PLC ±0.2		APPLICATION SPEC -		
1 PLC ±0.1		WEIGHT -		
2 PLC ±-		SIZE A3		
3 PLC ±-		CAGE CODE 00779		
4 PLC ±-		DRAWING NO C=1624166		
ANGLES ±5°		RESTRICTED TO -		
FINISH -		CUSTOMER DRAWING		
		SCALE 2:1		SHEET 1 OF 1
		REV BA		