

ME-IO 18,8 C 4U 7035 - Housing cover

2201802

<https://www.phoenixcontact.com/us/products/2201802>

Please be informed that the data shown in this PDF document is generated from our online catalog. Please find the complete data in the user documentation. Our general terms of use for downloads are valid.



DIN rail housing, 4U, Housing cover, width: 18.9 mm, height: 43.8 mm, depth: 26 mm, color: light grey (7035)

Your advantages

- Tool-free mounting
- Plastic in accordance with UL94 V0: for more rigorous flammability requirements
- Can be machined for application-specific connection technology
- Cover for fully closed device fronts

Commercial data

Item number	2201802
Packing unit	1 pc
Minimum order quantity	10 pc
Sales key	AC15
Product key	ACHEBB
Catalog page	Page 35 (NTK-2014)
GTIN	4046356911634
Weight per piece (including packing)	5.02 g
Weight per piece (excluding packing)	4.42 g
Customs tariff number	85389099
Country of origin	DE

ME-IO 18,8 C 4U 7035 - Housing cover



2201802

<https://www.phoenixcontact.com/us/products/2201802>

Technical data

Notes

General	Refer to the data sheet for the range in the download area.
---------	---

Product properties

Product type	Upper housing part
Type	4U
Housing type	DIN rail housing
Ventilation openings present	no
Housing series	ME-IO

Dimensions

Width	18.9 mm
Height	43.8 mm
Depth	26 mm

Material specifications

Color	light grey (7035)
Flammability rating according to UL 94	V0
CTI according to IEC 60112	600
Surface characteristics	untreated
Housing material	Polyamide

Environmental and real-life conditions

Vibration test

Specification	IEC 60068-2-6:2007-12
Frequency	10 - 150 - 10 Hz
Sweep speed	1 octave/min
Amplitude	0.15 mm (10 Hz ... 58.1 Hz)
Acceleration	2g (58.1 Hz ... 150 Hz)
Test duration per axis	2.5 h
Test directions	X-, Y- and Z-axis

Glow-wire test

Specification	IEC 60695-2-11:2014-02
Temperature	850 °C
Time of exposure	30 s

Thermal stability / ball thrust test

Specification	IEC 60695-10-2:2014-02
Temperature	125 °C
Test duration	1 h
Force	20 N

ME-IO 18,8 C 4U 7035 - Housing cover



2201802

<https://www.phoenixcontact.com/us/products/2201802>

Mechanical strength / tumbling barrel

Specification	IEC 60068-2-31:2008-05
Height of fall	50 cm
Frequency	50

Shocks

Specification	IEC 60068-2-27:2008-02
Pulse shape	Semi-sinusoidal
Acceleration	15g
Shock duration	11 ms
Number of shocks per direction	3
Test directions	X-, Y- and Z-axis (pos. and neg.)

Test for substances that would hinder coating with paint or varnish

Specification	VDMA 24364:2018-05
---------------	--------------------

Degree of protection (IP code)

Specification	IEC 60529:1989-11 + AMD 1:1999-11 + AMD 2:2013-08
---------------	---

Ambient conditions

Max. IP code to attain	IP20
Ambient temperature (operation)	-40 °C ... 105 °C (depending on power dissipation)
Ambient temperature (storage/transport)	-40 °C ... 55 °C
Ambient temperature (assembly)	-5 °C ... 100 °C
Relative humidity (storage/transport)	80 %

Mounting

Mounting type	Snap in
Mounting position	Vertical (horizontal DIN rail)

Packaging specifications

Type of packaging	packed in cardboard
Outer packaging type	Carton

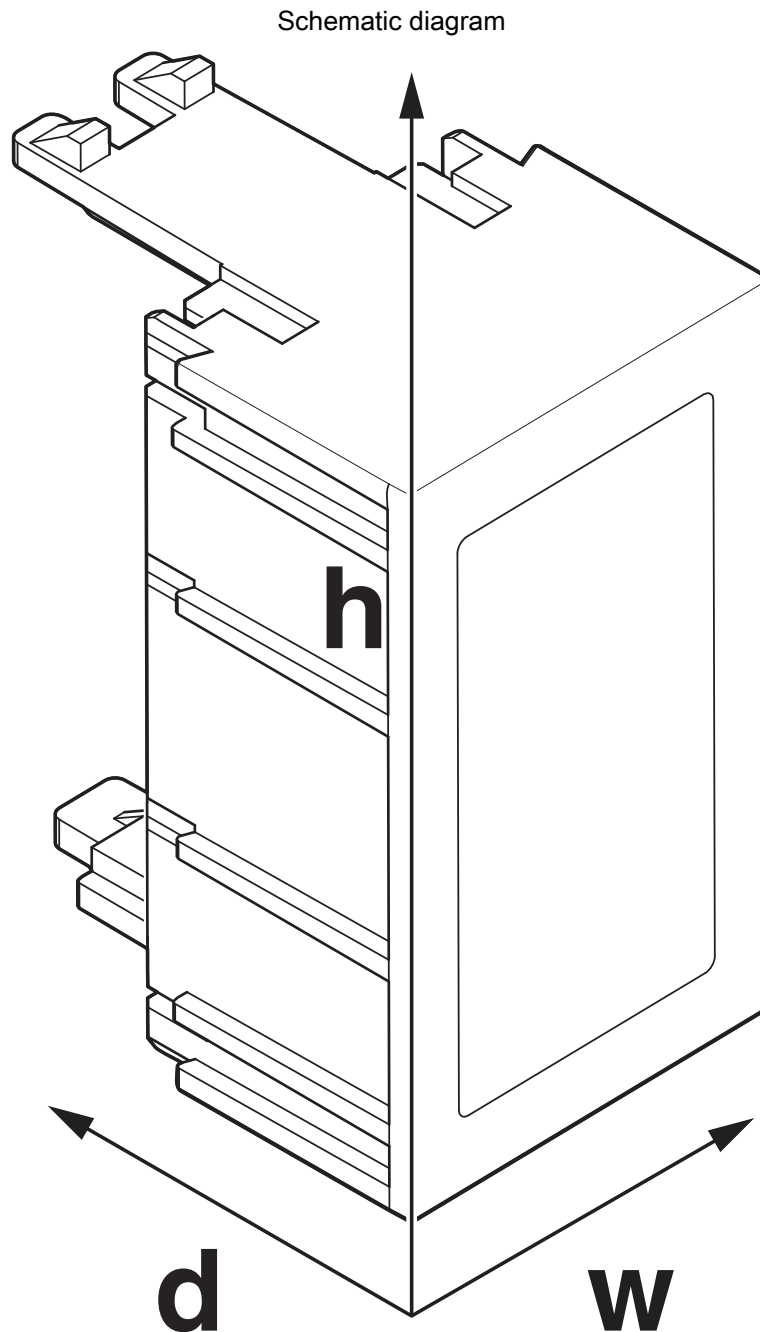
ME-IO 18,8 C 4U 7035 - Housing cover

2201802

<https://www.phoenixcontact.com/us/products/2201802>



Drawings



Schematic figure for illustrating the item dimensions. The figure is not of the desired product. For further details, refer to the product drawings in the "Downloads" tab.

ME-IO 18,8 C 4U 7035 - Housing cover



2201802

<https://www.phoenixcontact.com/us/products/2201802>

Approvals

To download certificates, visit the product detail page: <https://www.phoenixcontact.com/us/products/2201802>



UL Recognized

Approval ID: FILE E 240868

ME-IO 18,8 C 4U 7035 - Housing cover



2201802

<https://www.phoenixcontact.com/us/products/2201802>

Classifications

ECLASS

ECLASS-11.0	27182702
ECLASS-13.0	27190603

ETIM

ETIM 8.0	EC001031
----------	----------

UNSPSC

UNSPSC 21.0	31261500
-------------	----------

ME-IO 18,8 C 4U 7035 - Housing cover



2201802

<https://www.phoenixcontact.com/us/products/2201802>

Environmental product compliance

China RoHS	Environmentally friendly use period: unlimited = EFUP-e
	No hazardous substances above threshold values

ME-IO 18,8 C 4U 7035 - Housing cover



2201802

<https://www.phoenixcontact.com/us/products/2201802>

Accessories

HS LC-H-D2/ R4XC2-2,54 - Fiber optic

2202320

<https://www.phoenixcontact.com/us/products/2202320>



Multiple light guides with glare protection, passive, rigid, can be used for the ME, ME-MAX, ME-IO, ME PLC, and EH housing ranges (housing must be processed)

HS LC-H-D2/ R4XC5-2,54 - Fiber optic

2202321

<https://www.phoenixcontact.com/us/products/2202321>



Multiple light guides with glare protection, passive, rigid, can be used for the ME, ME-MAX, ME-IO, ME PLC, and EH housing ranges (housing must be processed)

ME-IO 18,8 C 4U 7035 - Housing cover



2201802

<https://www.phoenixcontact.com/us/products/2201802>

HS LC-H-D2/ R4XC9-2,54 - Fiber optic

2202322

<https://www.phoenixcontact.com/us/products/2202322>

Multiple light guides with glare protection, passive, rigid, can be used for the ME, ME-MAX, ME-IO, ME PLC, and EH housing ranges (housing must be processed)



HS LC-H-D2/ R4XC10-2,54 - Fiber optic

2202323

<https://www.phoenixcontact.com/us/products/2202323>

Multiple light guides with glare protection, passive, rigid, can be used for the ME, ME-MAX, ME-IO, ME PLC, and EH housing ranges (housing must be processed)



Phoenix Contact 2023 © - all rights reserved
<https://www.phoenixcontact.com>

Phoenix Contact USA
586 Fulling Mill Road
Middletown, PA 17057, United States
(+717) 944-1300
info@phoenixcon.com