

100/1000 Base-T Gigabit Single Port PoE++

AGSC-2477PI

- 100/1000 Base-T Gigabit PoE++
- For Ethernet based LAN, WAN and other networking applications
- PoE++ compatible with IEEE802.3at
- DC Current 1200mA @57V Continuous
- Operating Temperature Range: -40°C to +85°C



Electrical Specifications @ 25°C

OCL(μH Min) @ 100KHz, 0.1V With 28mA DC Bias	Turns Ratio (±3%)		DC Current @57V Continuous	DCR (Ω) Typ	Return Loss (dB Min)	
	TX=1CT:1CT	RX=1CT:1CT			1-40MHz	40-100MHz
120	TX=1CT:1CT	RX=1CT:1CT	1200mA	0.30	-16	-10+20*LOG 10(f/80)

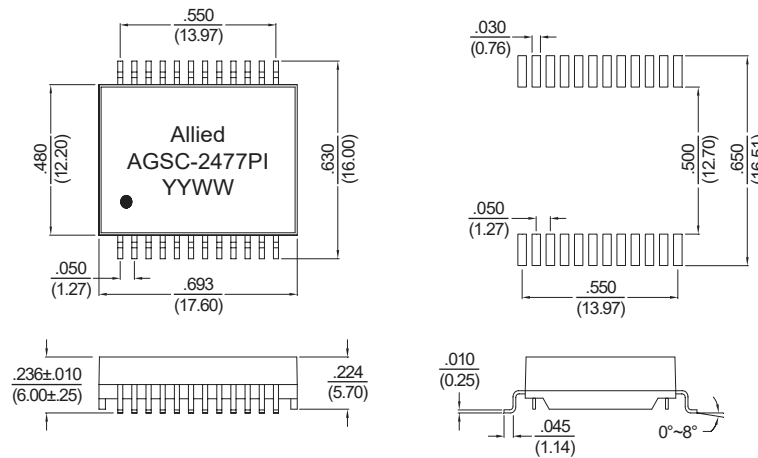
Electrical Specifications @ 25°C

Insertion Loss (dB Max)		Cross Talk (dB Min)		Common Mode Rejection (dB Min)		HI-POT DC
1-125MHz	100MHz	1MHz	10-100MHz	2MHz	30-200MHz	
-0.2-0.002*(f/1.4)	-1.2	-50	-55+22*LOG 10(f/200)	-50	-15+20*LOG 10(f/200)	1500Vrms

All specifications subject to change without notice.

MECHANICAL

Dimensions: $\frac{\text{inch}}{\text{mm}}$



SCHEMATIC

