

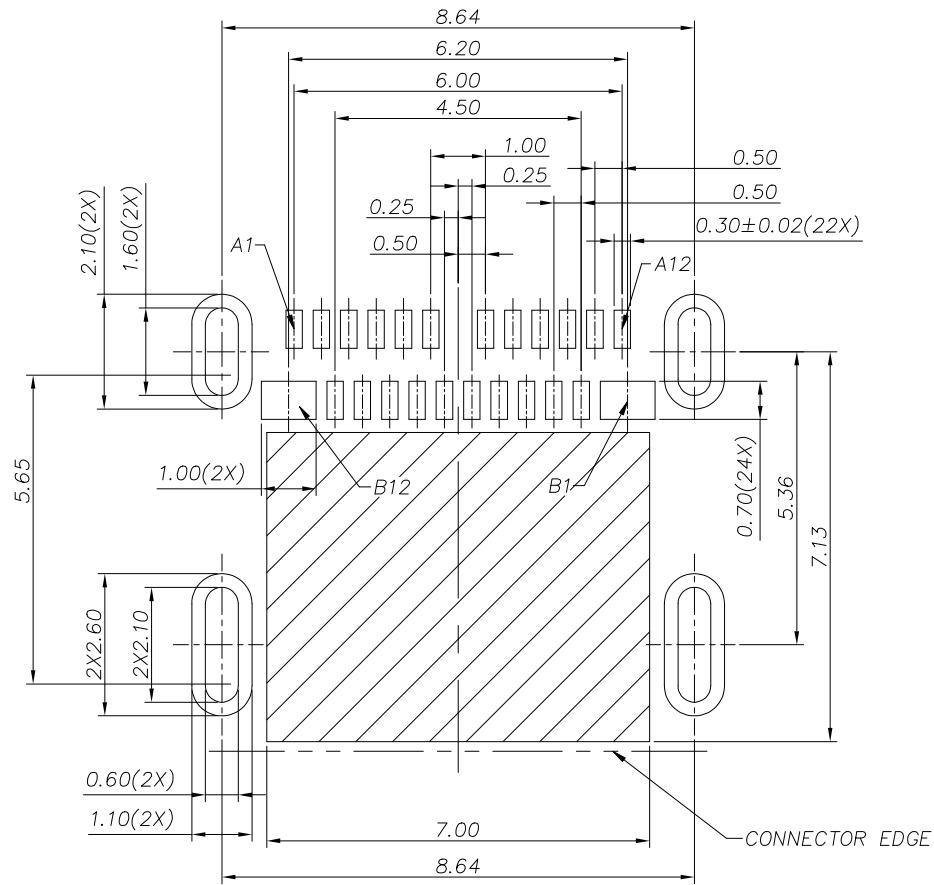
- NOTE:
- MATERIAL SPECIFICATION:
 - HOUSING: HIGH TEMPERATURE RESISTANT PLASTIC, WITH 30% GLASS FILLED, UL94 V-0 BLACK.
 - CONTACTS: COPPER ALLOY
 - EMI SPRING: STAINLESS STEEL
 - FRONT SHELL: STAINLESS STEEL
 - MIDDLE BLADE: STAINLESS STEEL
 - PLATING SPECIFICATION:
 - CONTACTS:
 - Ni 50u" MIN. UNDER PLATED OVER ALL.
 - 30u" Au PLATED ON THE FUNCTIONAL AREA OF CONTACT.
 - Au GOLD FLASH PLATED ON SOLDER AREA.
 - EMI SPRING: CLEANING ONLY
 - FRONT SHELL:
 - Ni 50u" MIN. UNDER PLATED OVER ALL.
 - MIDDLE BLADE:
 - Ni 40u" MIN. UNDER PLATED OVER ALL.
 - TIN 80u" Min PLATED ON SOLDER AREA.
 - MECHANICAL PERFORMANCE,
 - INSERTION FORCE: 0.5~2.0kgf.
 - REMOVAL FORCE: 0.8kgf~2.0kgf.
 - DURABILITY: 10000 CYCLES.
 - ELECTRICAL PERFORMANCE,
 - CURRENT RATING: 5.0A
VOLTAGE RATING: 5.0V
 - LLCR:
 - VBUS & GND PINS AND OTHER PINS: 40mΩ/PIN MAX.
 - SHIELD: 50mΩ/MAX.
 - LLCR MAX. CHANGE OF ALL PINS: 10mΩ.
 - INSULATION RESISTANCE: 100MΩ MIN
 - DIELECTRIC WITHSTAND VOLTAGE, AC 100V FOR 1 MINUTE.
 - ENVIRONMENTAL PERFORMANCE:
 - OPERATING TEMPERATURE: -25°C~+85°C.
 - IR REFLOW:
 - THE PEAK TEMPERATURE ON THE BOARD SHALL BE MAINTAINED FOR 10 SECONDS AT 260°C.

PART NUMBER SCHEME:
10152803-000 X X LF

CONTACT PLATING
1. GOLD FLASH
2. 30u" Au
3. 15u" Au

PACKAGING
1. TAPE AND REEL

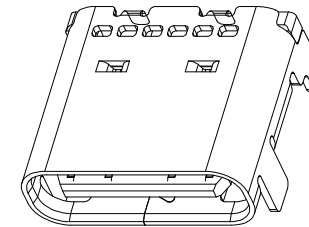
mat'l. code		surface	tolerance	projection	product family
		ISO 1302 ✓	ISO 406 ISO	1101	HPL 511
ltr	ecn no	dr	date	tolerances unless otherwise specified	title
A	-	YY	2020-09-09	angles linear 0°±x'	USB Type C Female
				.X±.30 .XX±.20 .XXX±.10	mm
				dr	scale 1:1
				eng Yuan-Yuan Bao 2020-09-09	dwg no
				chr Tim Yao 2020-09-09	sheet 1 of 1
				appd Tim Yao 2020-09-09	size
					10152803
					A3
					type Product Customer Drawing
sheet index	revision sheet				



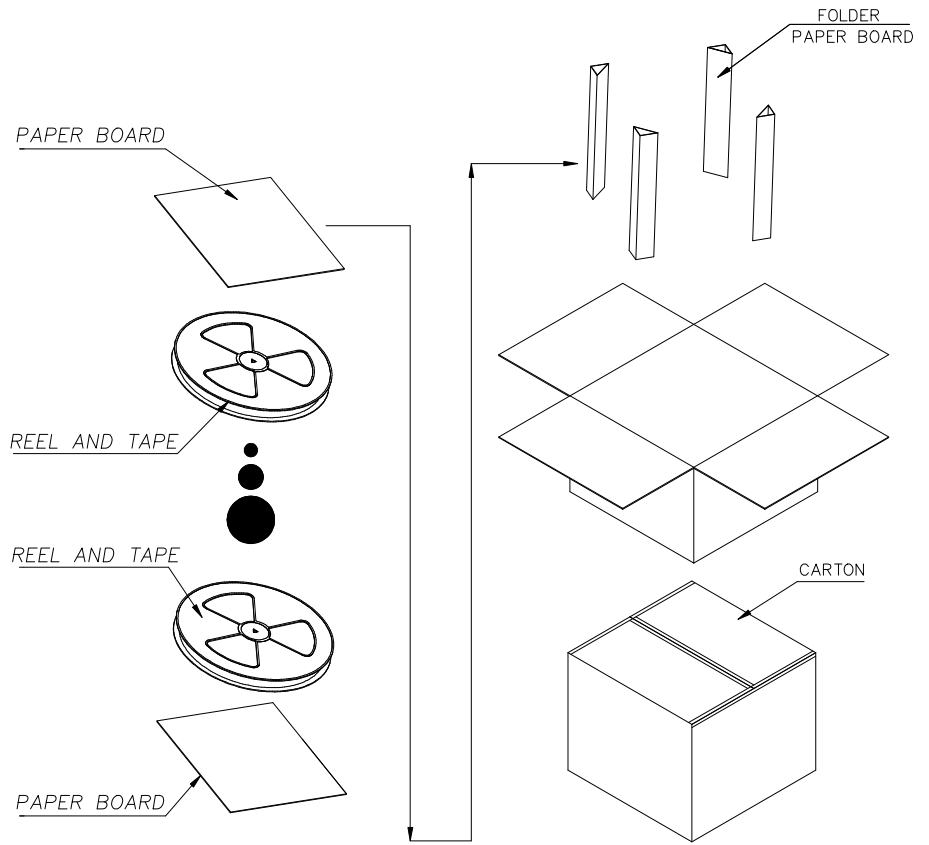
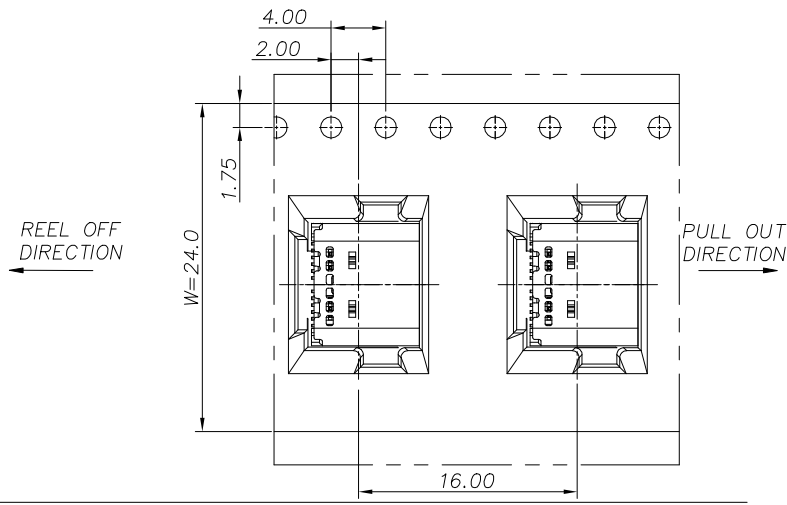
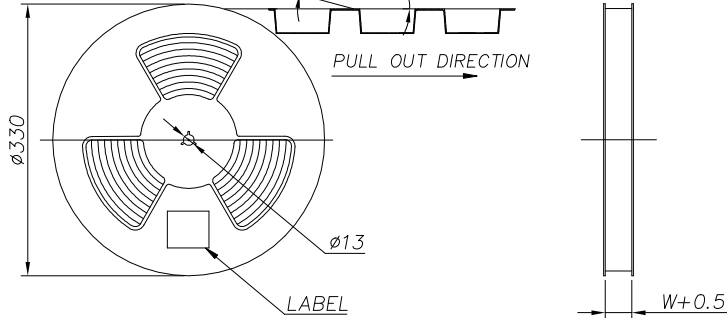
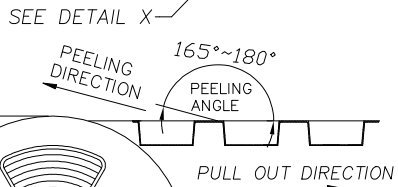
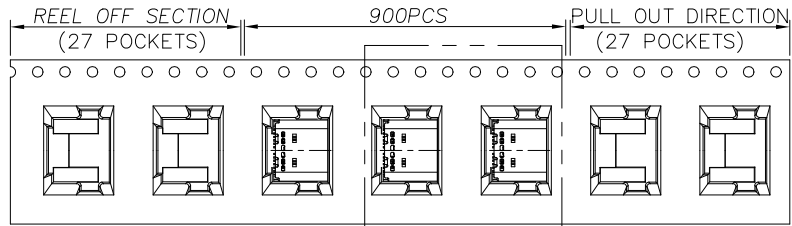
RECOMMENDED PCB LAYOUT(TOP VIEW)
 DEFAULT TOLERANCE: ±0.05

USB TYPE-C PIN ASSIGNMENTS

PIN NUMBER	SIGNAL NAME	PIN NUMBER	SIGNAL NAME
A1	GND	B12	GND
A2	SSTXp1	B11	SSRXp1
A3	SSTXn1	B10	SSRXn1
A4	Vbus	B9	Vbus
A5	CC1	B8	SBU2
A6	Dp1	B7	Dn2
A7	Dn1	B6	Dp2
A8	SBU1	B5	CC2
A9	Vbus	B4	Vbus
A10	SSRXn2	B3	SSTXn2
A11	SSRXp2	B2	SSTXp2
A12	GND	B1	GND



mat'l. code		surface	tolerance	projection	product family
		ISO 1302	ISO 406 ISO 1101		HPL 511
ltr	ecn no	dr	date	tolerances unless otherwise specified	title
A				.X±.30 .XX±.20 .XXX±.10	USB Type C Female
				linear	mm
				0°±x'	scale 1:1
		dr	Yuan-Yuan Bao 2020-09-09	dwg no	
		eng	Yuan-Yuan Bao 2020-09-09	sheet 1 of 1	
		chr	Tim Yao 2020-09-09	10152803	
		appd	Tim Yao 2020-09-09	A3	
		type Product Customer Drawing			
sheet index	revision sheet				



	REEL	CARTON
CONNECTOR (PCS)	900	9000

mat'l. code		surface ISO 1302 ✓	tolerance ISO 406 ISO 1101	projection	product family HPL 511	
ltr	ecn no	dr	date	tolerances unless otherwise specified	title	
A				angles linear	USB Type C Female	
				$.X \pm .30$	mm	dwg no sheet 1 of 1 size
				$.XX \pm .20$	scale 1:1	
				$0' \pm x'$		type Product Customer Drawing
				dr Yuan-Yuan Bao 2020-09-09		
				eng Yuan-Yuan Bao 2020-09-09		
				chr Tim Yao 2020-09-09		
				appd Tim Yao 2020-09-09		
sheet index	revision sheet					