



**FEATURES**

- Large Active Area
- Low Noise
- High Sensitivity
- Custom Gains Available
- Hermetically Sealed TO-39
- Blue Enhanced Detector

**Electro-Optical Characteristics at 23°C**

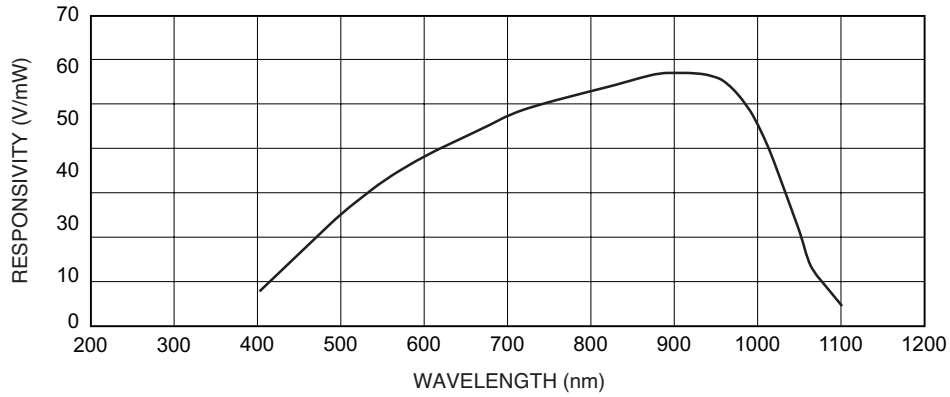
Parameters	Test Conditions	Min	Typ	Max	Units
Active Area	3.30 mm x 1.78 mm		5.87		mm <sup>2</sup>
Dark Offset	V <sub>s</sub> = ±5 V		1.2	±2	mV
Dark Offset Noise	V <sub>s</sub> = ±5 BW = 0.1 to 1000 kHz		198	250	µV rms
Sensitivity	V <sub>s</sub> = ±5 V λ = 450 nm	17	20		V/µW
Frequency Response (-3 db)	V <sub>s</sub> = ±5 V	900	1000		Hz
NEP	λ = 450 nm		85		fW/√Hz
Transimpedance Gain			100		MΩ
Supply Current			850	950	µA

**Absolute Ratings**

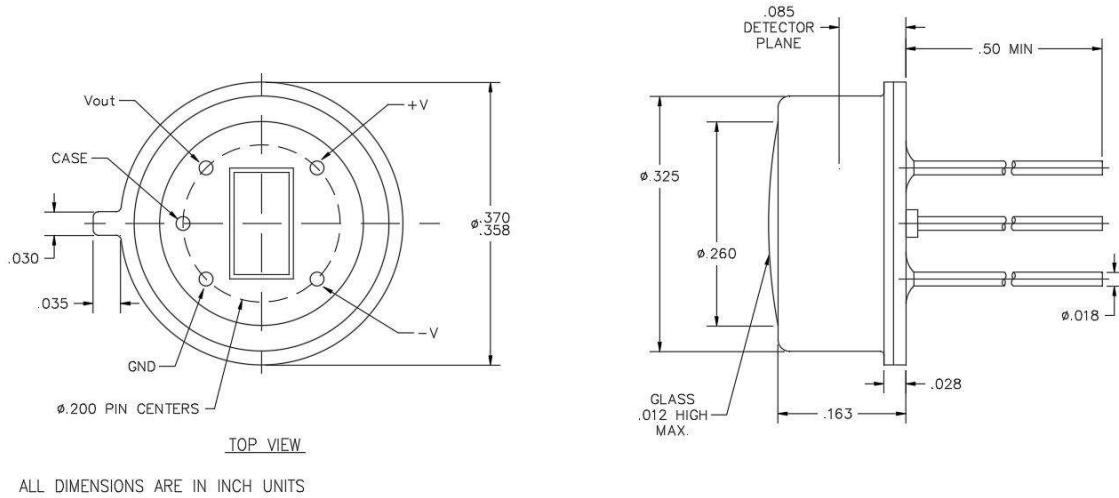
Parameters	Units
Voltage Supply Range +V to -V*	5 to 15 V
Power Dissipation	15 mW
Storage and Operating Temperature	-25 to +100°C
Soldering Temperature (1/16" from case for 3 seconds max)	+260°C

\*Voltage supply across the device requires a minimum of 5 V to a maximum of 15 V from +V to -V.

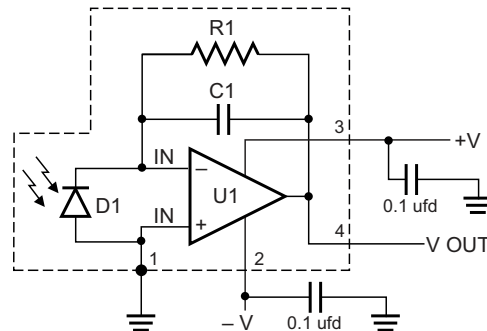
**Typical Spectral Response**



**Package Information**



Dimensions are in inch [metric] units.



Specifications are subject to change without prior notice.